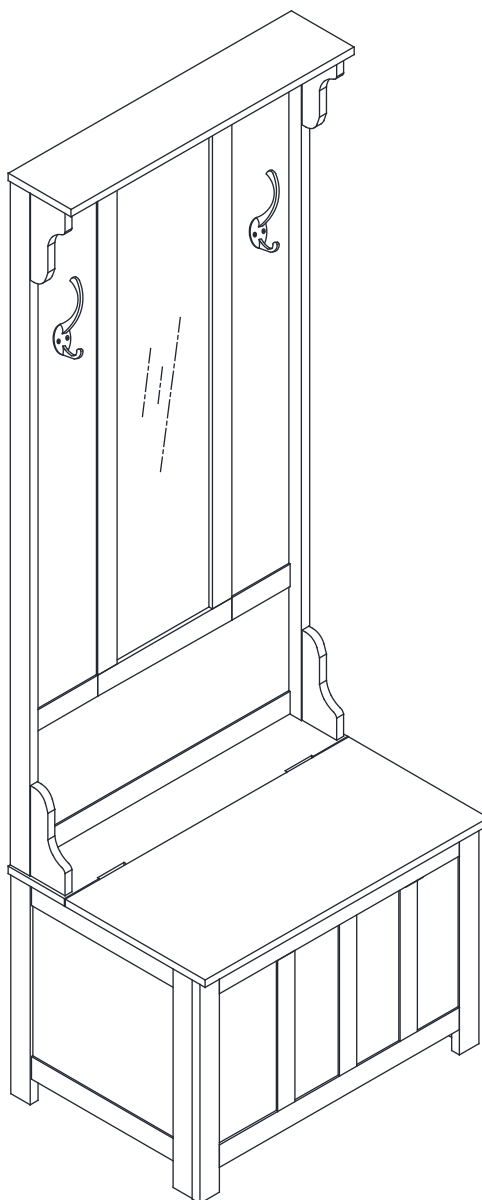


hayneedle SM

Item Name: Carlisle Mini Hall Tree

SKU: DIME039-1



For assistance with assembly, please contact
Hayneedle Customer Care Center
1-888-880-4884

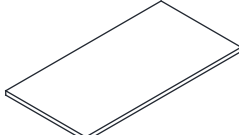
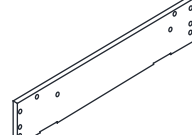
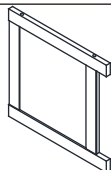
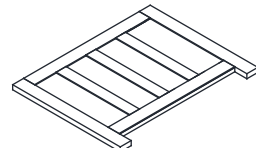
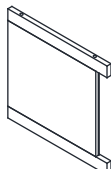
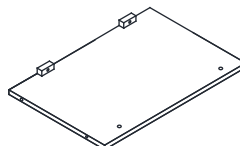
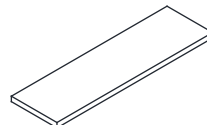
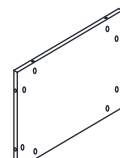
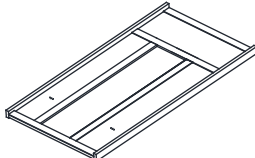

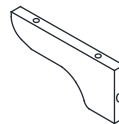

PRE-ASSEMBLY PREPARATION:



WARNING: Failure to follow these directions and warnings can result in serious injury and/or product damage.

- Please check that all parts and hardware are included before beginning assembly.
- Save all packing material until assembly is complete to avoid accidentally discarding smaller parts or hardware.
- Read through the preparation and assembly instructions in full before beginning assembly.
- Please use CAUTION AND CARE WHEN LIFTING the product. Assistance is required for assembly.
- The following additional tools are required for assembly: Phillips head screw driver;
Optional Tools - Drill/Driver, 3/32" Drill Bit, 1/4" Drill Bit, Pencil
- Never stand on the item or use it as a ladder.
- Periodically re-tighten all exposed hardware.
- If any parts become missing, damaged or worn, discontinue use until they are replaced with identical parts.

PARTS LIST

Part	Drawing	Part Name	Qty.	Part	Drawing	Part Name	Qty.
A		Bench Seat Panel	1	G		Bottom Back Panel	1
B		Bench Left Side Panel	1	H		Bench Front Panel	1
C		Bench Right Side Panel	1	I		Bench Back Panel	1
D		Top Shelf Panel	1	J		Bench Bottom Panel	1
E		Top Back Panel	1	K		Cam Screw	22
F		Corbel Brackets	4	L		Cam Lock	22



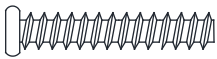




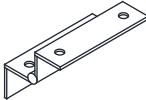

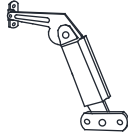

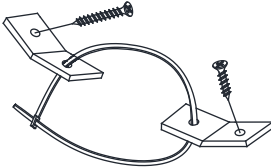

PRE-ASSEMBLY PREPARATION:



WARNING: Failure to follow these directions and warnings can result in serious injury and/or product damage.

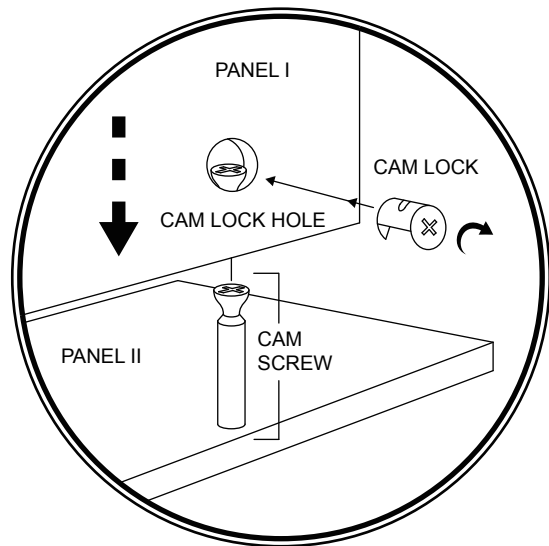
- Please check that all parts and hardware are included before beginning assembly.
- Save all packing material until assembly is complete to avoid accidentally discarding smaller parts or hardware.
- Read through the preparation and assembly instructions in full before beginning assembly.
- Please use **CAUTION AND CARE WHEN LIFTING** the product. Assistance is required for assembly.
- The following additional tools are required for assembly: Phillips head screw driver;
Optional Tools - Drill/Driver, 3/32" Drill Bit, 1/4" Drill Bit, Pencil
- Never stand on the item or use it as a ladder.
- Periodically re-tighten all exposed hardware.
- If any parts become missing, damaged or worn, discontinue use until they are replaced with identical parts.

PARTS LIST

Part	Drawing	Part Name	Qty.	Part	Drawing	Part Name	Qty.
M		Dowel	1	T		Bolt with Washer	2
N		Long Bolt	10	U		Short Bolt	4
O		Plug Nut	2	V		Bumper	2
P		Allen Wrench	1	W		Hinge	2
Q		Hook	2	X		Safety Hinge	1
R		Screw	20	Y		No-tip Kit	1
S		Round Screw	4				

CAM LOCK INSTRUCTION

This product is assembled with a cam lock set



STEP 1: Insert Cam Lock into the cam lock hole of Panel I. Cam lock “+/-” sign should be pointing towards the cam screw insertion hole.

STEP 2: Insert the cam screw into Panel II.

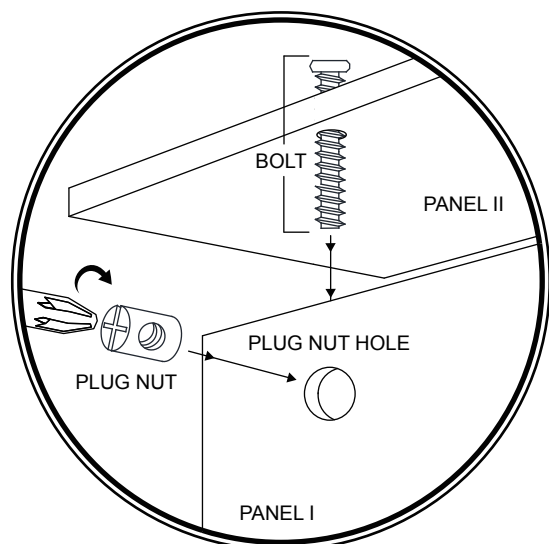
STEP 3: Connect Panel I and Panel II by inserting the cam screw through the hole to which the cam lock arrow is pointing.

STEP 4: Press Panel I and Panel II together.

STEP 5: Lock Panels together by turning cam lock clockwise using a screwdriver. The cam lock and cam screw should make a click sound, indicating they are locked together.

PLUG NUT INSTRUCTION

This product is assembled with plug nuts



STEP 1: Insert Plug Nut into the plug nut hole of Panel I with the Phillips head facing outward.

STEP 2: Align the threaded hole in the Plug Nut with the Bolt using a Phillips head screw driver.

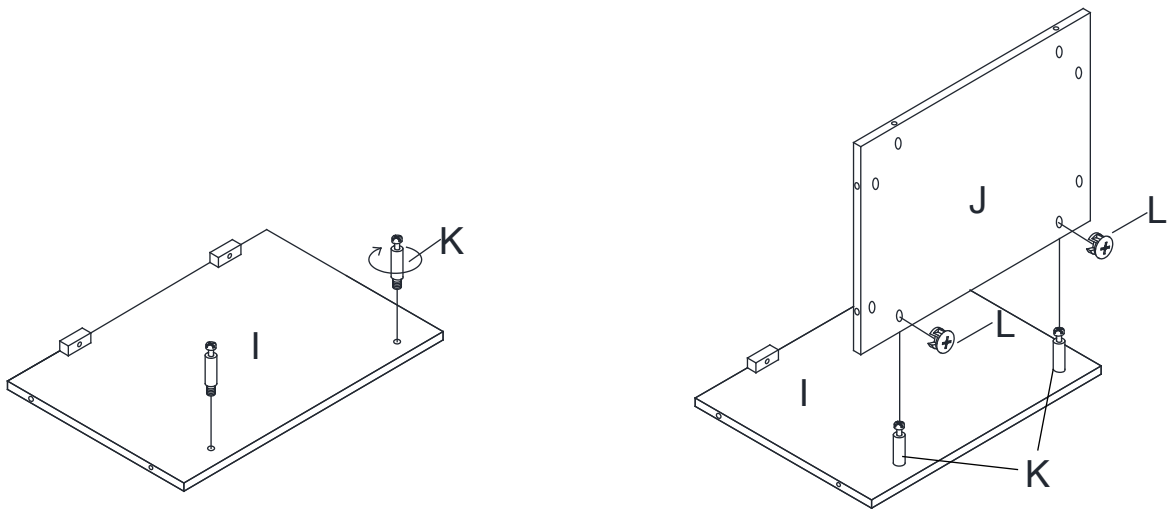
STEP 3: Connect Panel I and Panel II by inserting the Bolt through the hole and into the threaded hole in the Plug Nut.

STEP 4: Secure Panels together by turning the Bolts clockwise using an Allen Wrench until the Bolt is fully tightened and the Panels are fully seated together.

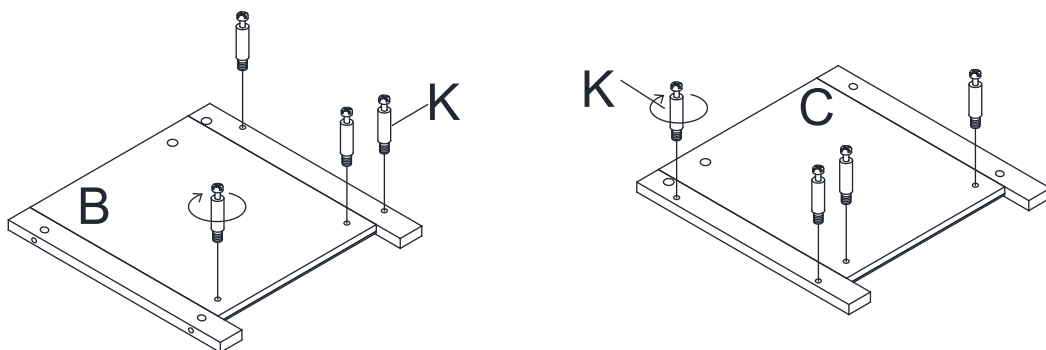
STEP-BY-STEP ASSEMBLY:

Step 1 - Begin by assembling the Bench: Lay I with the bolt holes facing upwards. Insert and tighten three Cam Screws (K) into the bolt holes as shown below.

Attach Part J to Part I: Align and insert the bolt holes on the edge of J with the installed Cam Screws on I. Insert and tighten three Cam Locks (L) into the holes on the back of J.

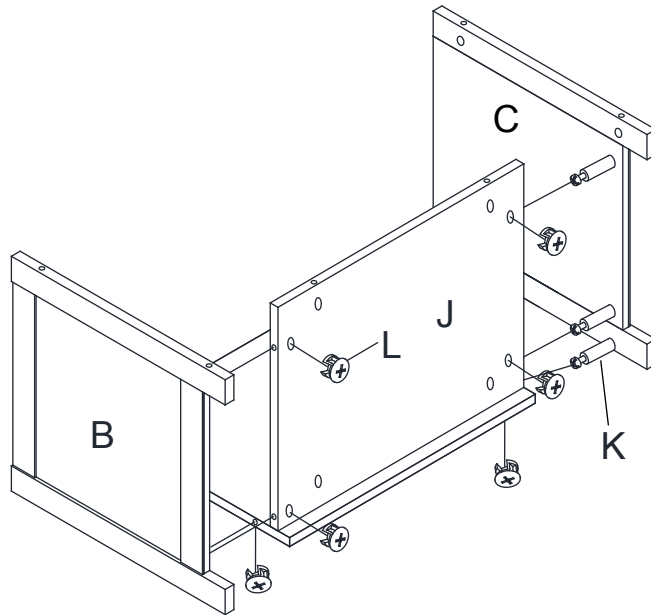


Step 2 - Lay Parts B and C with the bolt holes facing up. Insert and tighten four Cam Screws (K) into the bolt holes on each panel. Do not over tighten the Cam Screws.



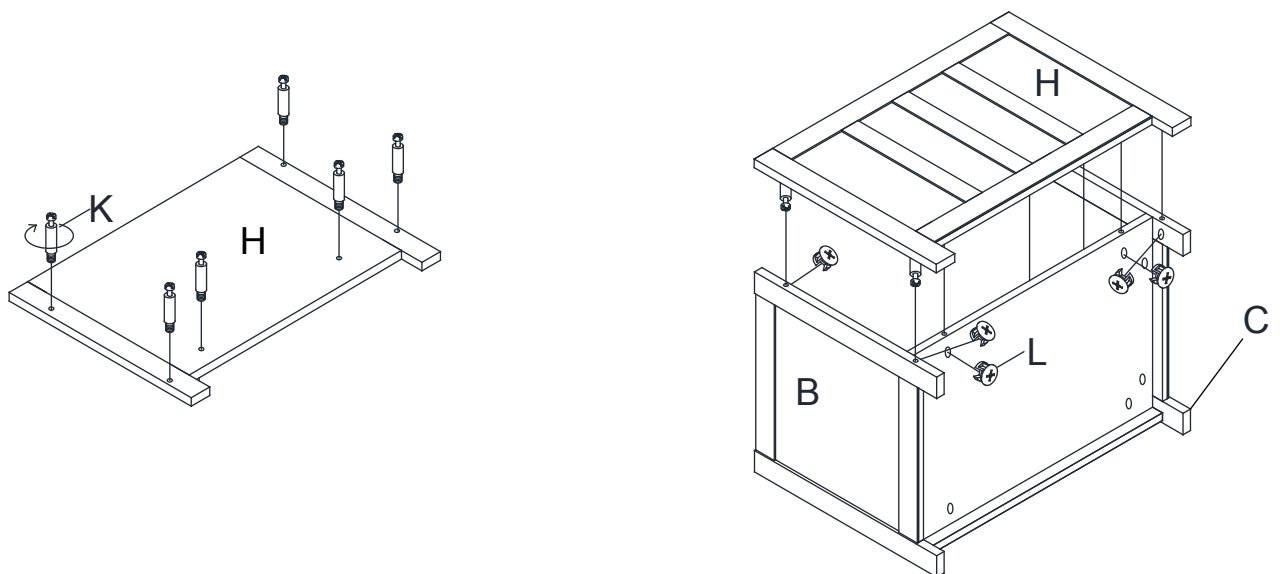
STEP-BY-STEP ASSEMBLY:

- Step 3 - Attach side panels to Parts I and J: Lay Parts I and J down with J facing up as shown below. Insert the Cam Screws attached to Parts B and C into the holes on Parts I and J. Insert and tighten eight Cam Locks (L) into the bolt holes on Parts I and J.



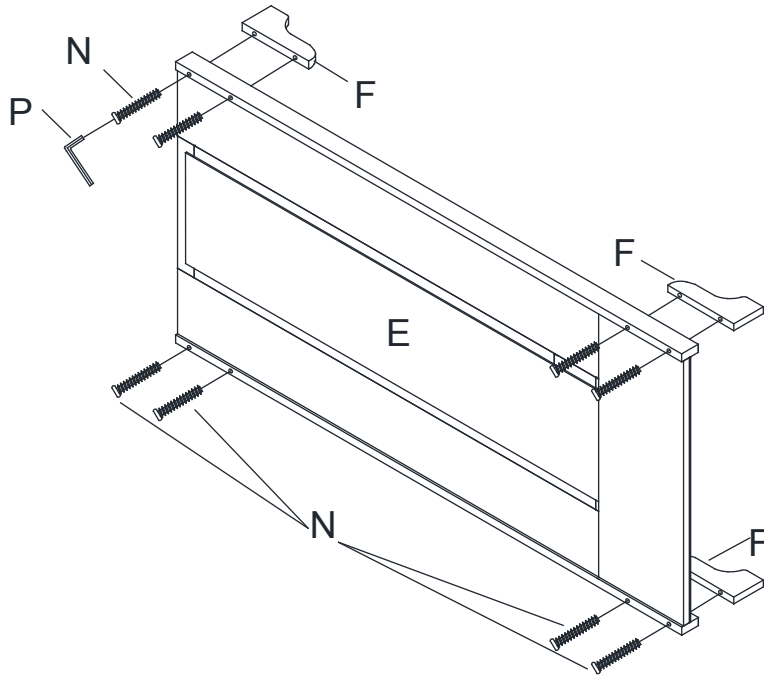
- Step 4 - Lay the Bench Front Panel (H) with the bolt holes facing up. Insert and tighten six Cam Screws into the bolt holes as shown in the picture below.

Attach Front Bench Panel: Lay the Bench on the Back Panel. Insert the Cam Screws on H into the corresponding holes in the Side and Bottom Panels as shown below. Insert and tighten six Cam Locks (L) into the bolt holes on the Side and Bottom Panels.

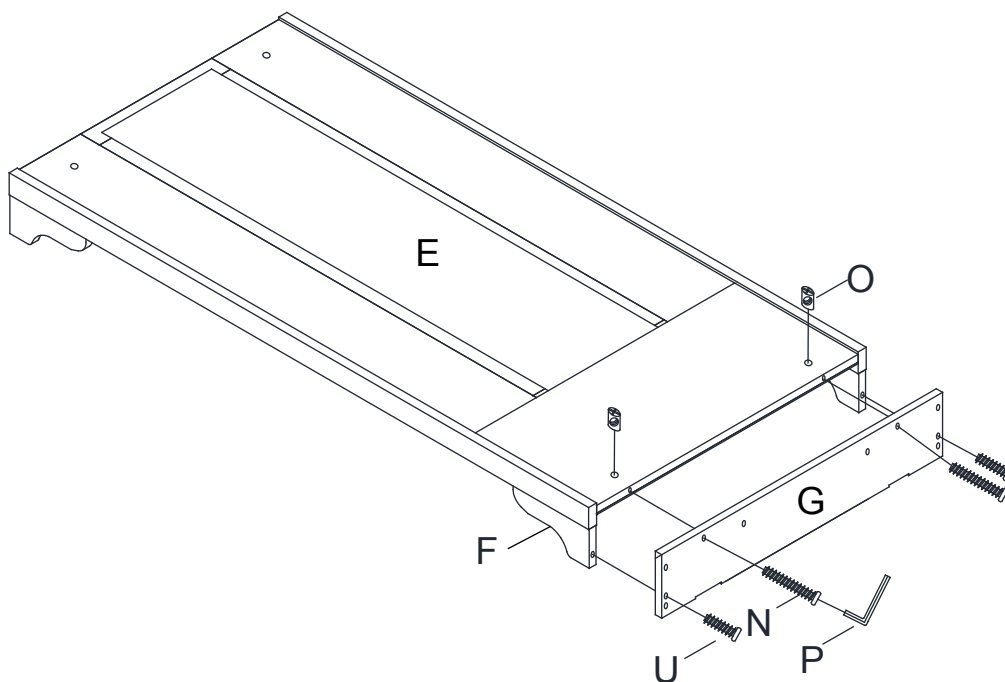


STEP-BY-STEP ASSEMBLY:

Step 5 - Assemble Hall Tree Back: Insert eight Long Screws (N) through the bolt holes in the Top Back Panel (E) and into the Corbel Brackets (F). Tighten N by using the Allen Wrench (P).

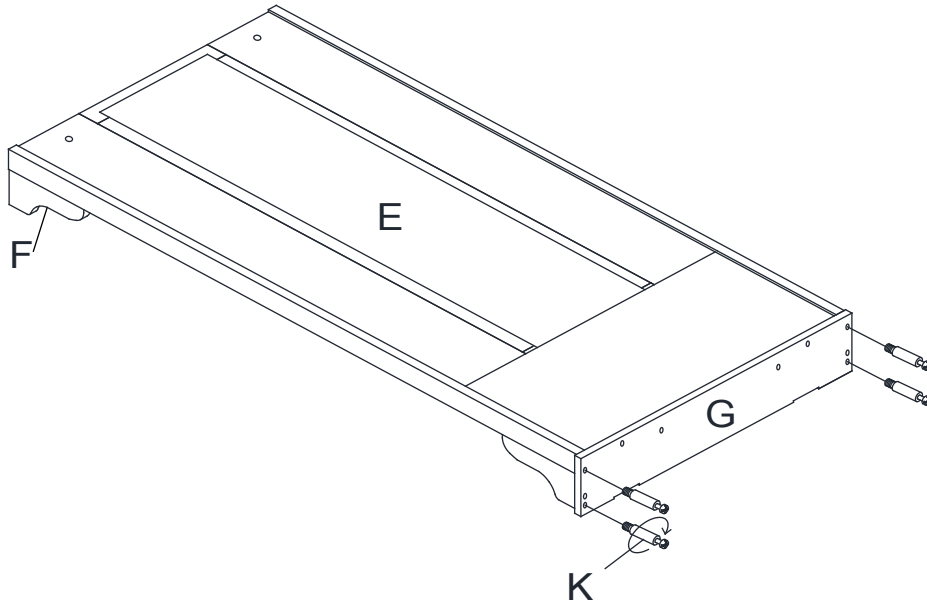


Step 6 - Insert two Plug Nuts (O) into the bolt holes on the back of the Top Back Panel (E) as shown below. Install two Long Bolts (N) and two Short Bolts (U) through the holes in the Bottom Back Panel (G) and into the Plug Nuts and Corbel Brackets (F) as shown below. Tighten N and U using the Allen Wrench (P).

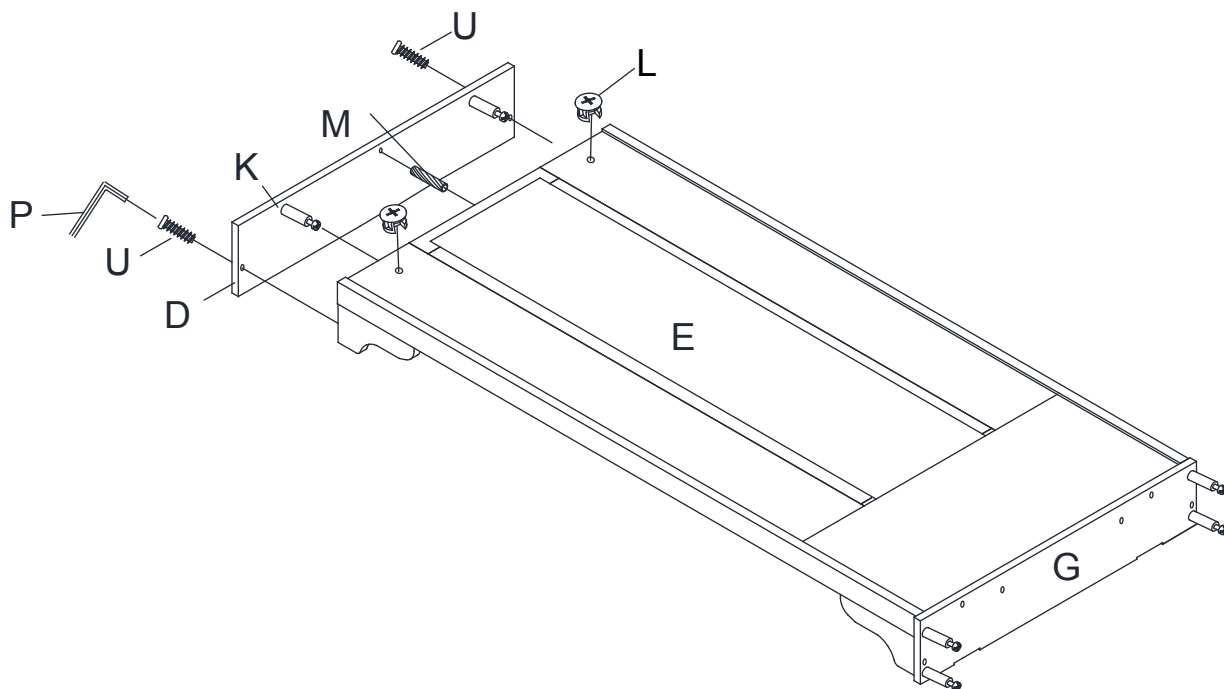


STEP-BY-STEP ASSEMBLY:

Step 7 - Insert and tighten four Cam Screws into the bottom of G as shown below.

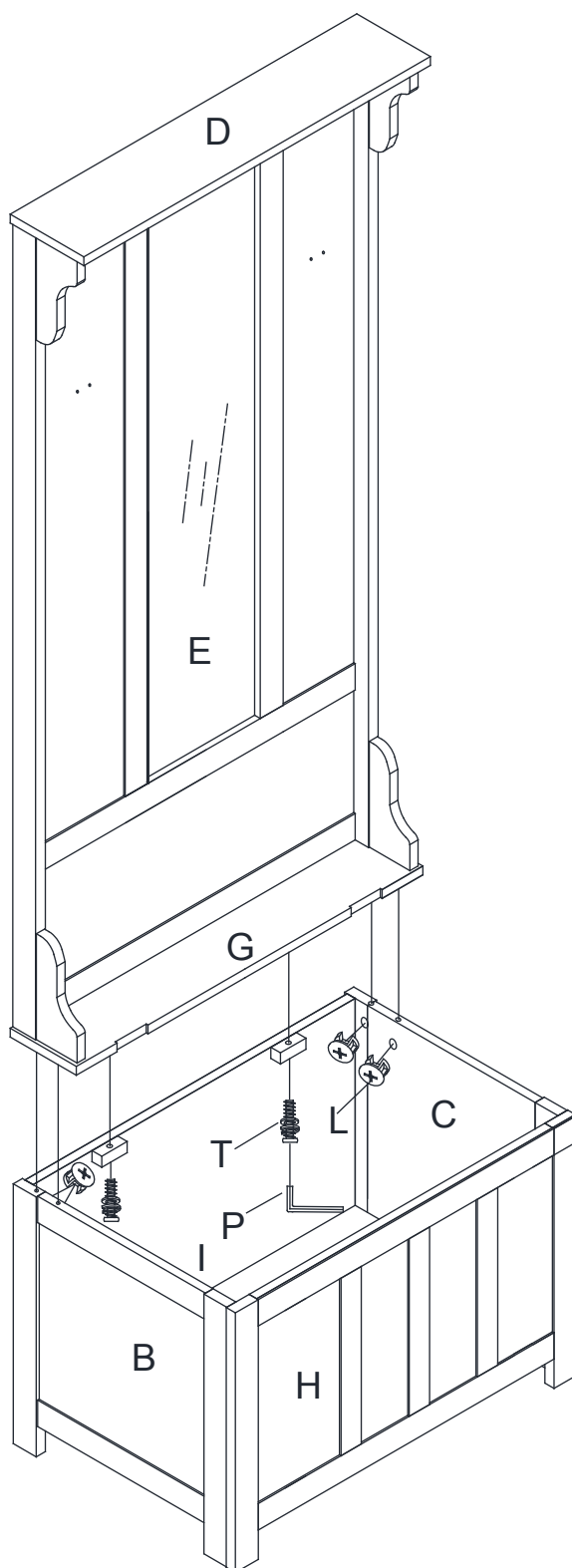


Step 8 - Insert two Cam Screws (K) and one Dowel (M) into the bottom of the Top Shelf Panel (D). Insert two Short Bolts (U) through the Top of D and into the Corbel Brackets (F) and tighten using the Allen Wrench (P). Insert and tighten two Cam Locks (L) into the bolt holes on the back of E.



STEP-BY-STEP ASSEMBLY:

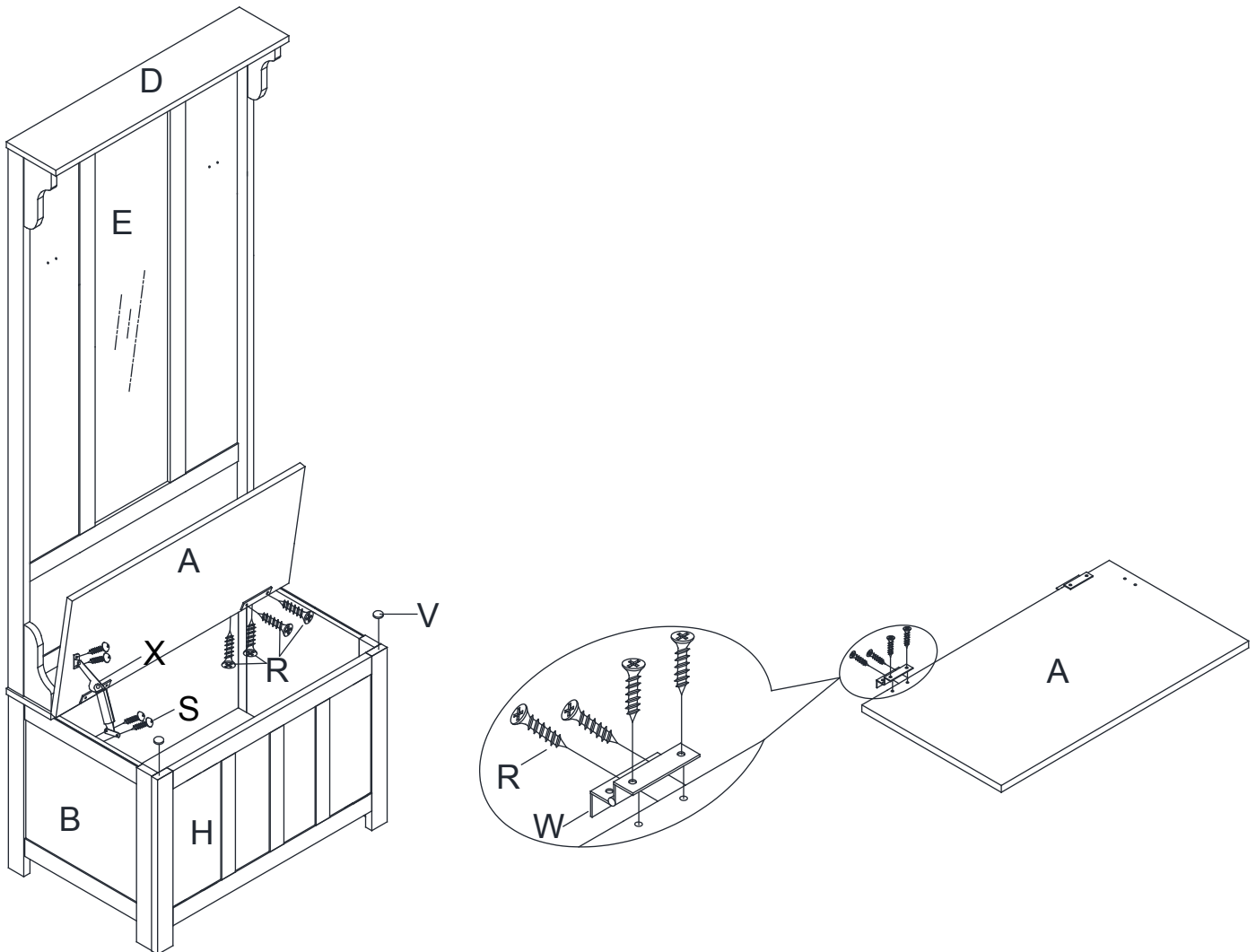
Step 9 - With assistance, carefully align and insert the Cam Screws on the bottom of the Hall Tree Back with the bolt holes on the Hall Tree Bench. Insert and tighten four Cam Locks (L) into the bolt holes in Parts B and C. Insert two Bolts with Washers (T) through the underside of the tabs on I and into the bolt holes on the underside of G. Tighten the bolts using the Allen Wrench (P).



STEP-BY-STEP ASSEMBLY:

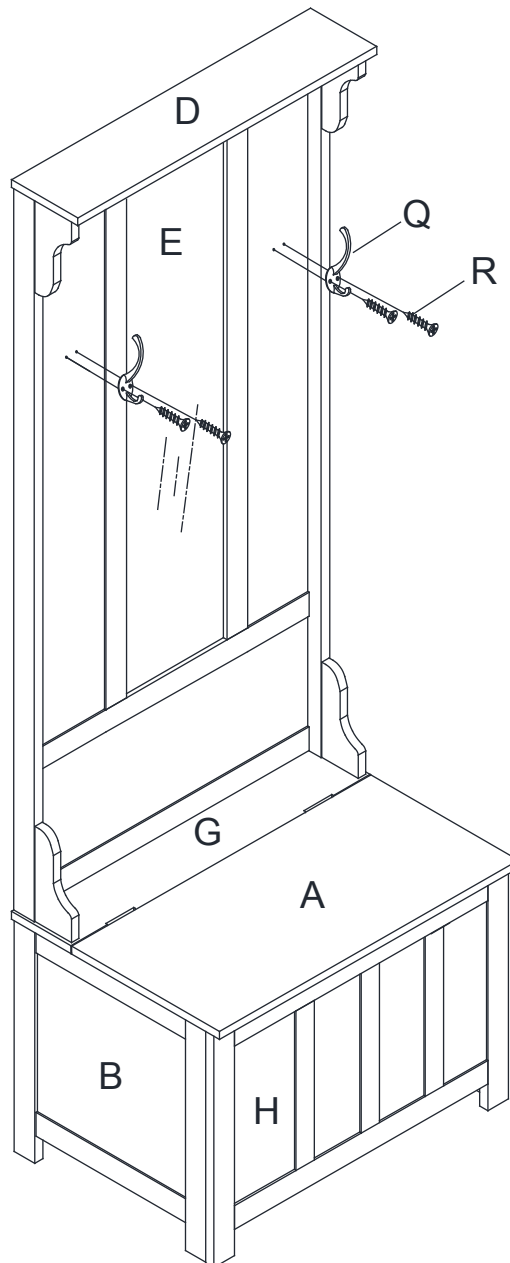
Step 10 - Lay the Bench Seat Panel (A) with the screw holes facing upwards. Align the screw holes on the two Hinges (W) with the screw holes on A. Insert and tighten four Screws (R) through each Hinge and into A as shown below.

Step 11 - Turn the Seat Panel right side up and align the screw holes in the hinges with the screw holes in the bottom of the Bench Seat Panel (A). Insert and tighten four Screws through each Hinge and into G. Align the screw holes on the Safety Hinge (X) with the screw holes on A. Insert and tighten two Round Screws (S) through the screw holes on X and into the screw holes on A. Carefully, align the screw holes on the bottom of the Safety Hinge with the screw holes on the inside of Part B. Insert and tighten two Round Screws (S) through the screw holes in the Safety Hinge and into the screw holes on A. Lastly, install a Bumper (V) on each corner of the Hall Tree as shown below.



STEP-BY-STEP ASSEMBLY:


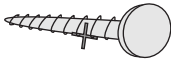

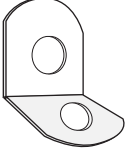

Step 12 - Align the screw holes in the Hooks (Part Q) with the screw holes in E as shown below. Insert and tighten two Screws (R) through the screw holes in each Hook and into the screw holes in E.

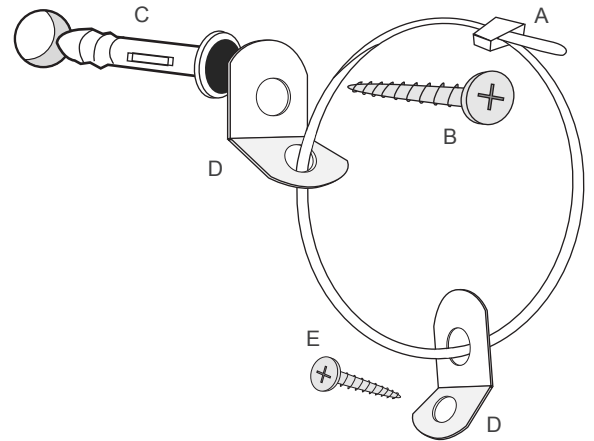


ANTI-TIP RESTRAINT ASSEMBLY INSTRUCTION

Anti-tip Restraint is **REQUIRED** in order to complete construction of this product. When properly installed, this hardware can provide protection against the unexpected tipping of furniture.

ANTI-TIP RESTRAINT PARTS LIST:

	Parts descriptions	Parts image	QTY
A	Nylon Strap		1
B	Long Screw		1
C	Plastic Screw Anchor		1
D	Wall Brackets		2
E	Short Screw		1



ASSEMBLY INSTRUCTIONS:

Step 1: Attach one of the mounting brackets “D” and secure to the back top edge of the furniture using the short screw “E”.

Step 2: Mark the location on the wall for mounting the second bracket “D”. Create the appropriate sized hole in the wall and insert the plastic screw anchor “C”. Secure the bracket to the wall using the long screw “B”.

Step 3: Place the furniture so the bracket on the back edge of the unit is in line with the bracket on the wall.

Step 4: Lace an end of the nylon restraint strap “A” down through each bracket. Bring both ends together and slide the beaded end of the strap through the keyhole-shaped slot on the other end. Pull down on the beaded end until it snap-locks into the keyhole.

Step 5: Check to make sure the strap is securely laced and locked to the brackets.



For assistance with assembly, please contact customer service
1-888-880-4884