

# Milano Kitchen Faucet

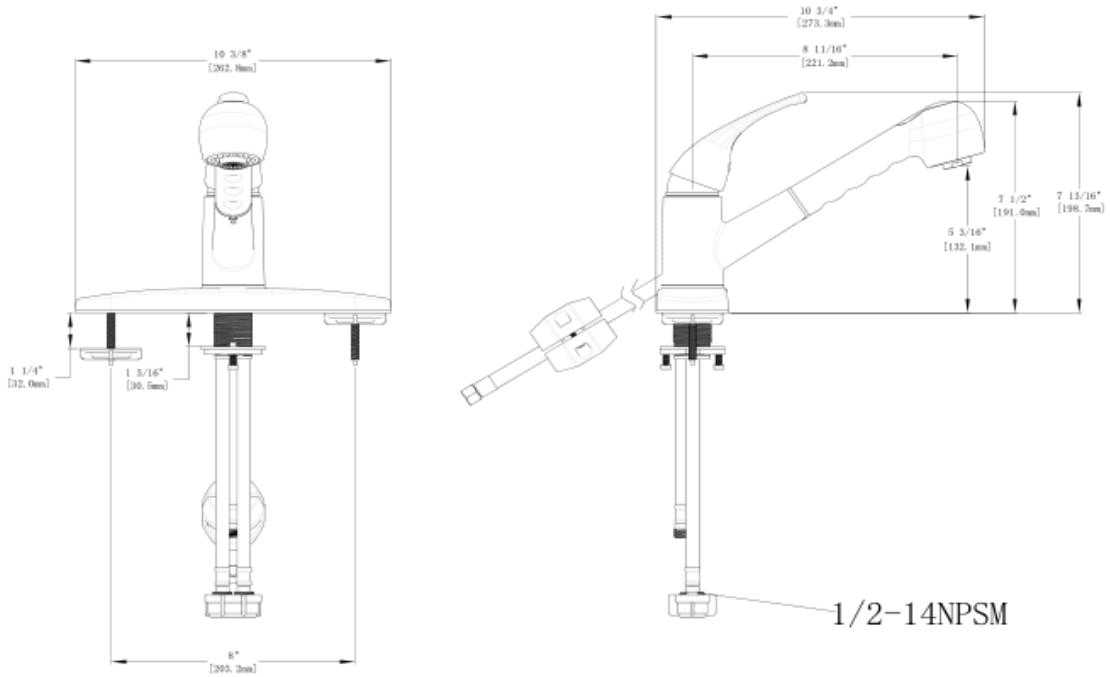


## Specifications

<b>Flow Rate (GPM)</b>	1.8 GPM @ 60 psi
<b>Material Content</b>	AB1953 platform hybrid body with zinc handle
<b>Cartridge</b>	Ball cartridge
<b>Lever Handle Operation</b>	(1/4) quarter turn stop
<b>Spout Reach</b>	8-11/16"
<b>Spout Height</b>	5-3/16"
<b>Mounting Holes</b>	1 or 3
<b>Max Deck Thickness</b>	1-1/4"



## Dimensions



## Warranty & Compliances

<b>Warranty</b>	Lifetime Limited Warranty
<b>IAPMO/UPC</b>	UPC & cUPC Compliant
<b>ASME</b>	ASME A112.18.1/CSA B125.1
<b>ANSI</b>	Compliant
<b>ADA</b>	Compliant
<b>NSF</b>	Compliant
<b>Lead Free</b>	Fed. P.L. 111-380 (1/2014)
<b>Watersense</b>	Compliant



## Order Codes & Finishes/Colors

<b>Polished Chrome</b>	545889	
<b>Satin Nickel (US15)</b>	545871	
<b>Oil Rubbed Bronze(US10B)</b>	545897	

**Type:**

**Job:**

**Order Code:**

**Approvals:**

Design House reserves the right to make changes in materials, specifications & models at any time. Design House also reserves the right to discontinue product without notice or obligation.