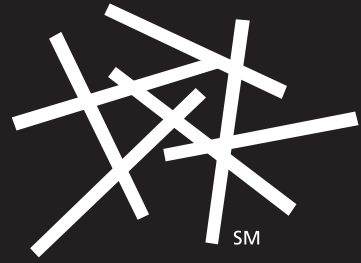
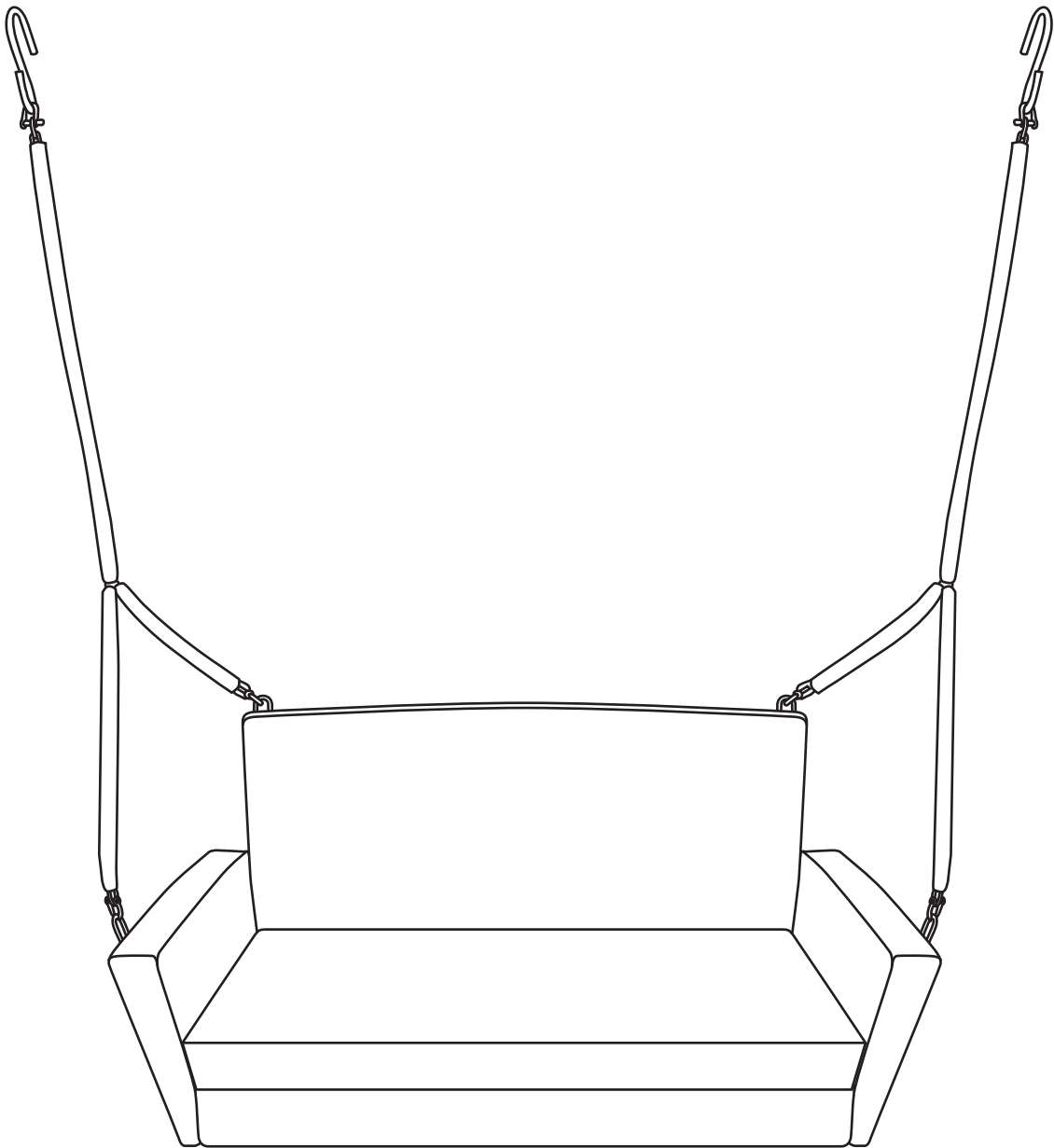


hayneedle



ITEM NAME : Soho Wicker Porch Swing with Cushion

SKU : CWR321-1



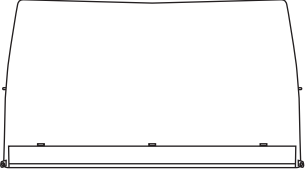
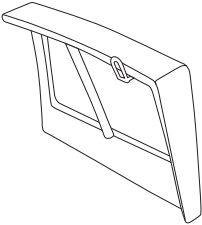
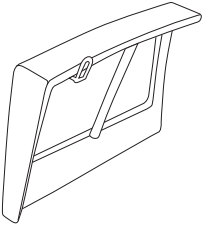
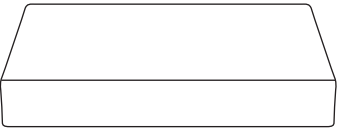
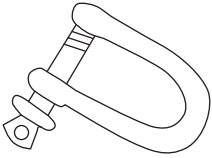
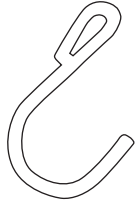
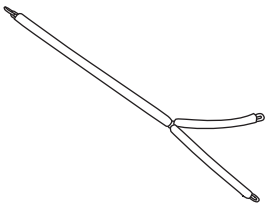
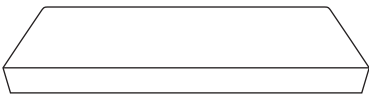
**For assistance with assembly, please contact
Hayneedle Customer Care Center
1-888-880-4884**

PRE-ASSEMBLY PREPARATION:

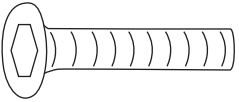
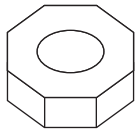
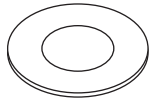
! THIS PACKAGE MAY CONTAIN SMALL ITEMS WHICH SHOULD BE KEPT AWAY FROM CHILDREN

- Please check that all parts and hardware are included before beginning assembly.
- Save all packing materials until assembly is complete to avoid accidentally discarding smaller parts or hardware.
- Read through the preparation and assembly instructions in full before beginning assembly.
- Please use CAUTION AND CARE WHEN LIFTING the product to avoid personal injury and (or) damage to the product.
- The following additional tools are required for assembly: Screwdriver
- For ease of assembly, two adults are recommended.
- Assembly time : Approximately 1 hr.

PANEL AND FITTINGS IDENTIFICATION:

 (A) Back Qty: 1	 (B) Right Side Qty: 1	 (C) Left Side Qty: 1
 (D) Seat Qty: 1	 (E) Ring Lock Qty: 6	 (F) Metal Arm Qty: 2
 (G) Chain Qty: 2	 (H) Cushion Qty: 1	

HARDWARE LIST:

 (1) Bolt Ø8x20mm Qty: 2	 (2) Nut Ø10mm Qty: 8	 (3) Washer Ø20mm Qty: 8
--	---	--

TOOLS REQUIRED:



Single-end Wrench

Qty: 1



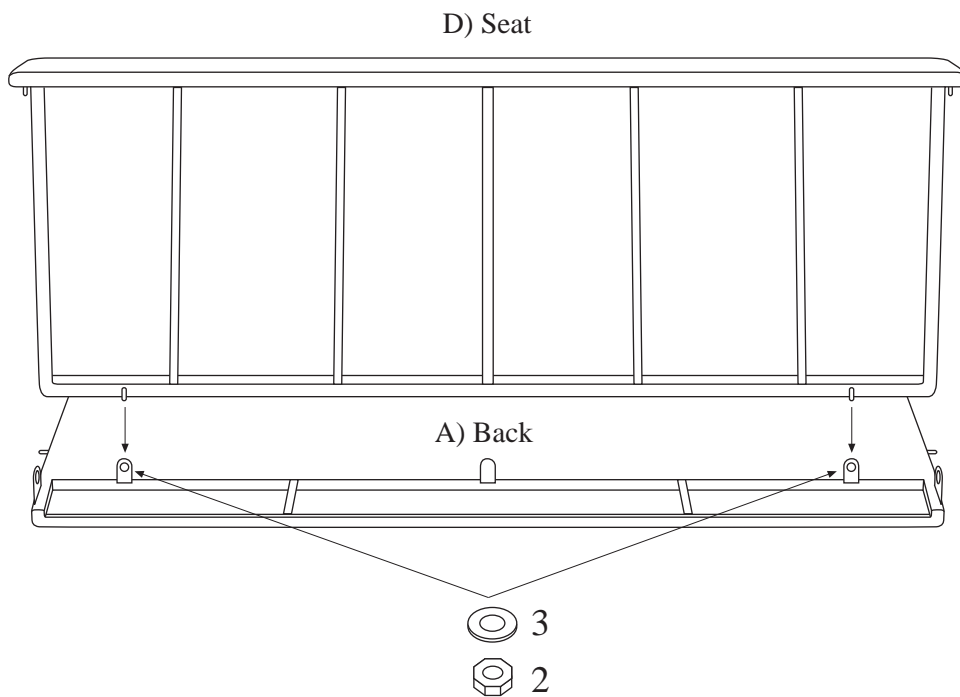
Hex Wrench

Qty: 1

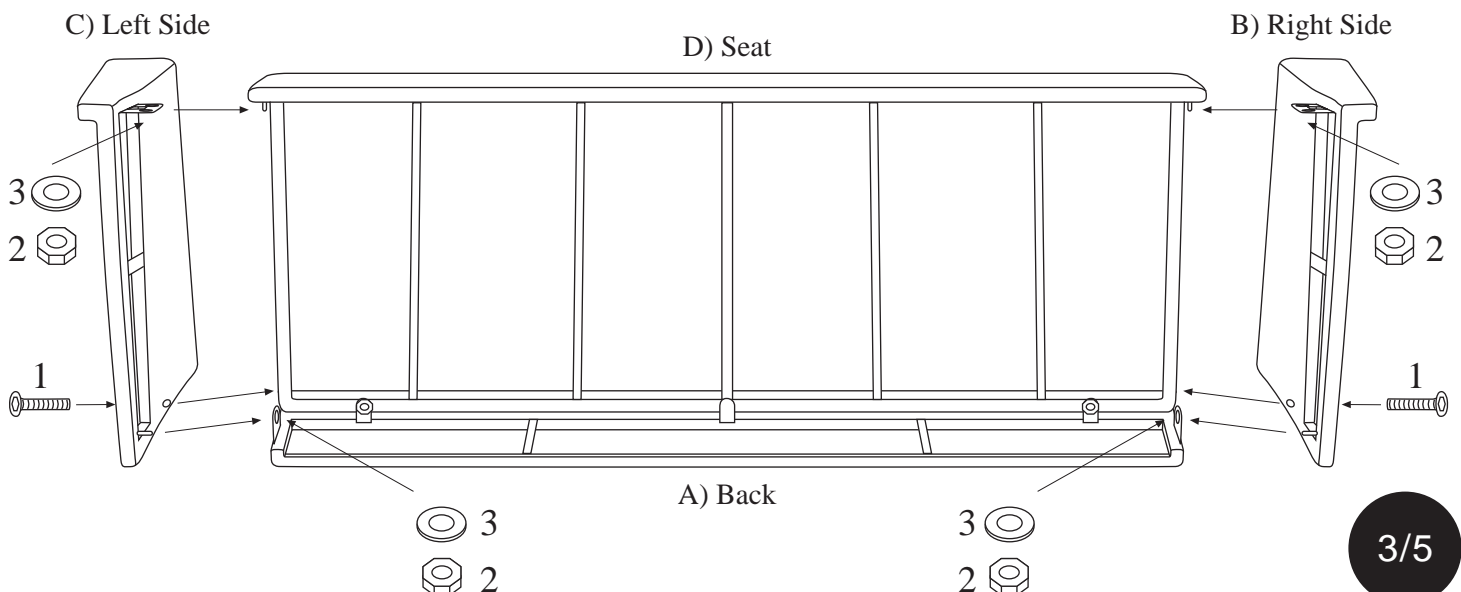
STEP-BY-STEP ASSEMBLY:

STEP 1 Line up dowels on Part D into holes on Part A. Secure Part D and Part A with Hardware Washer #3 followed by Hardware Nut #2 using the Single-end Wrench #4.

Note: Wait to fully tighten the Nuts and Bolts until they have all been inserted in the last step. Two people might be required to align holes for fasteners.

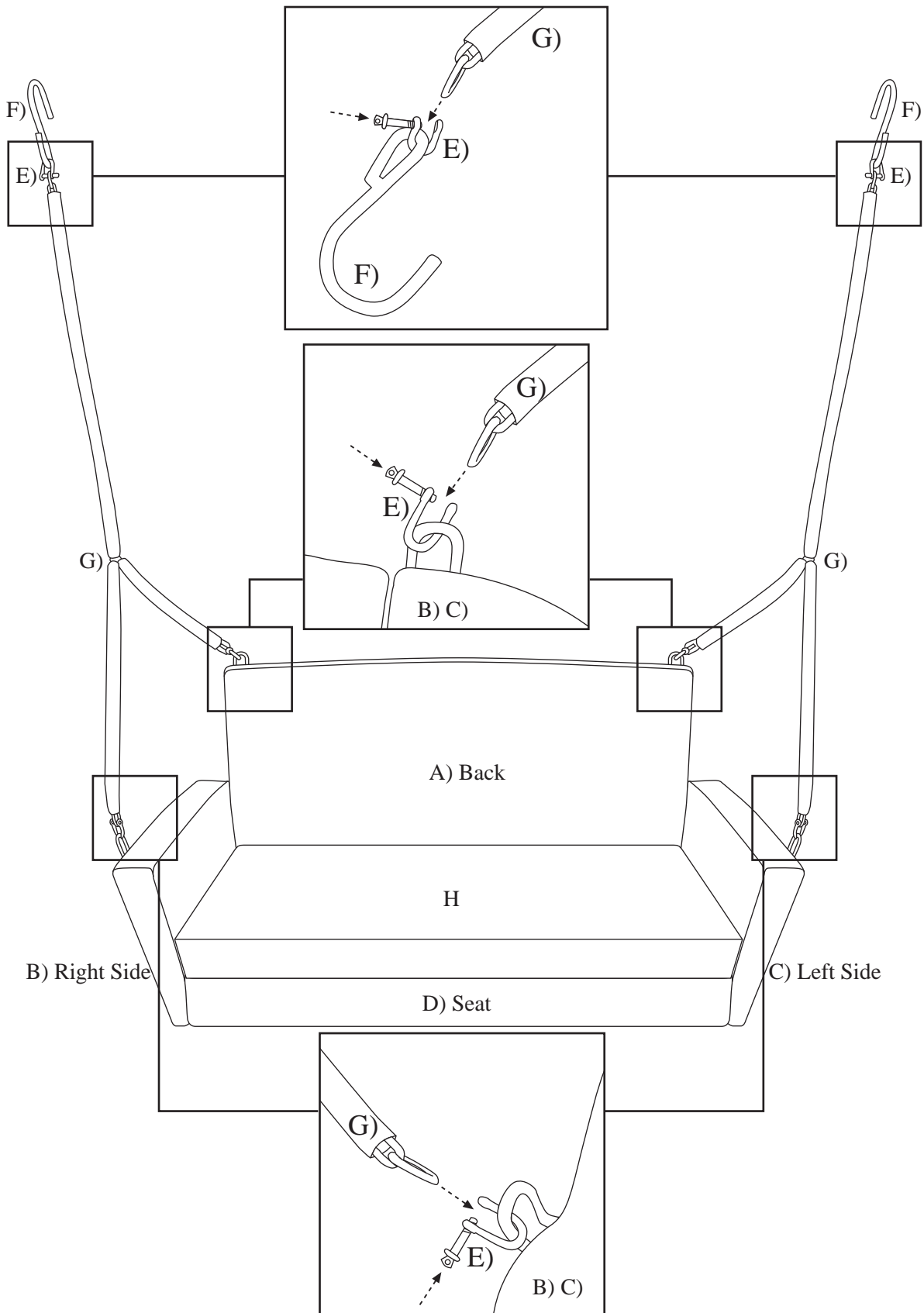


STEP 2 Flip swing over. Line up dowels on Part D and Part A into holes on Part C. Secure Part D and Part C using Hardware Washer #3 followed by Hardware Nut #2 using the Single-end Wrench #4. Secure Part A and Part C with Hardware Bolt #1 using Hex Wrench #5. Repeat for other side using Part B.



STEP-BY-STEP ASSEMBLY:

STEP 3 Flip swing right side up. Attach Part G to Part B by looping Part E inside. Then place Part G into Part E and secure with screw attached. For top of chain, loop Part E into Part F. Then place Part G into Part E and secure with screw attached. Repeat for other side.



** BE SURE ALL FASTENERS ARE FULLY TIGHTENED BEFORE USING THE ITEM.



**For assistance with assembly, please contact customer service
1-888-880-4884**