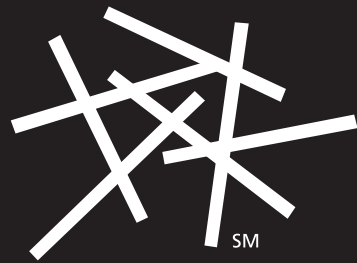
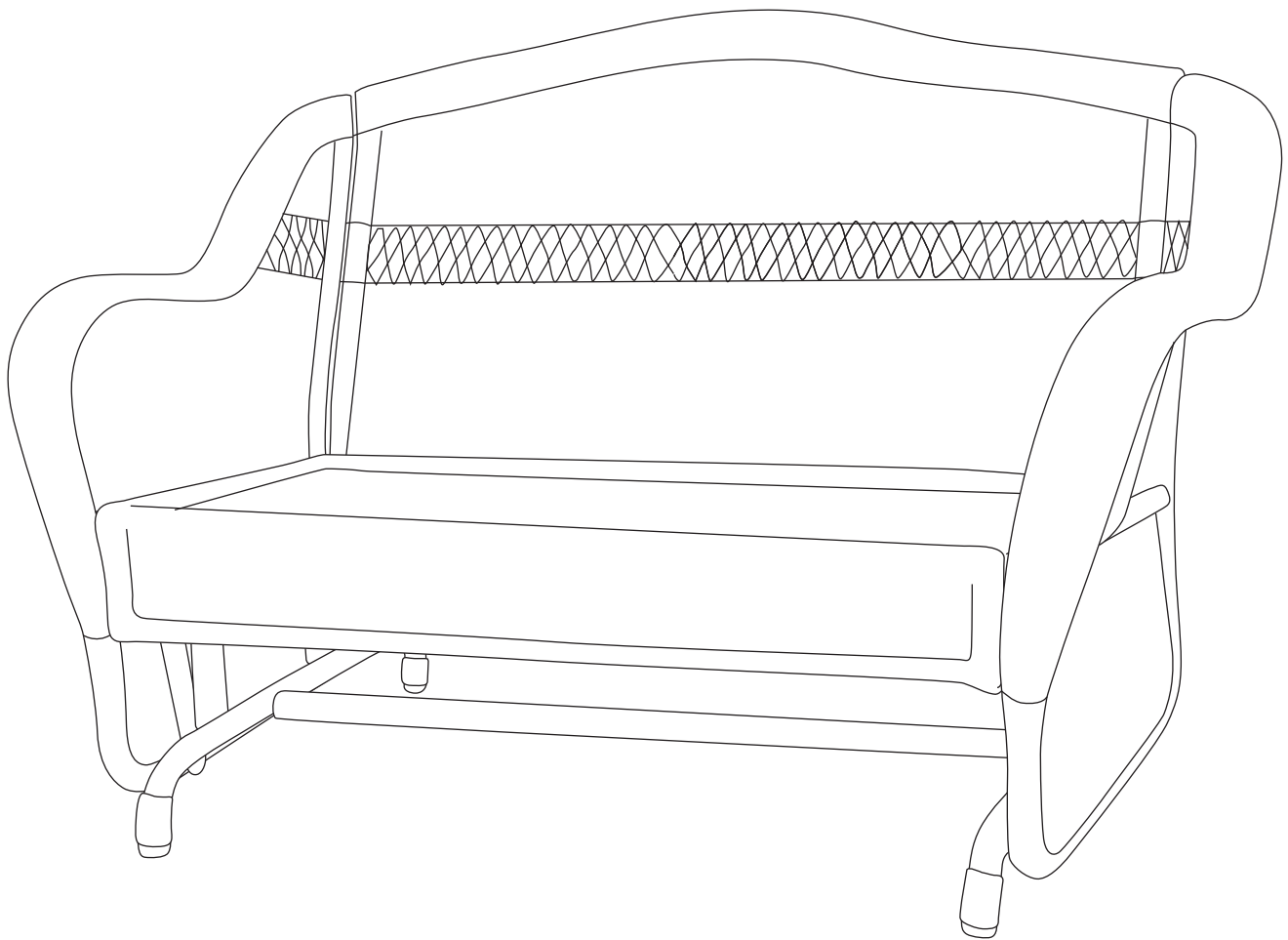


hayneedle



ITEM NAME : Casco Bay Resin Wicker Double Glider

SKU : CWR195-1,CWR195-2,CWR304-1



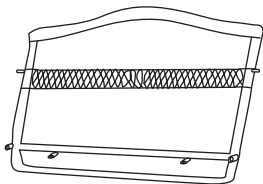

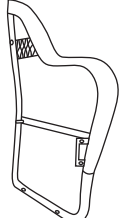
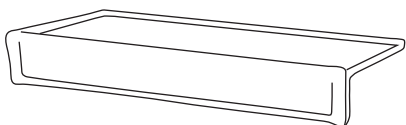
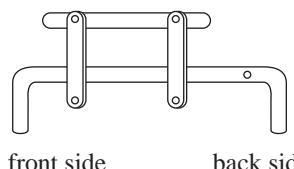
**For assistance with assembly, please contact
Hayneedle Customer Care Center
1-888-880-4884**

PRE-ASSEMBLY PREPARATION:

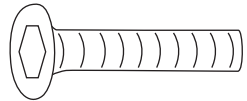
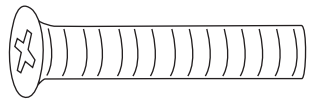
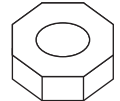
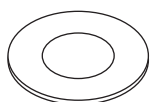
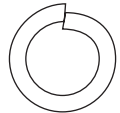
! THIS PACKAGE MAY CONTAIN SMALL ITEMS WHICH SHOULD BE KEPT AWAY FROM CHILDREN

- Please check that all parts and hardware are included before beginning assembly.
- Save all packing materials until assembly is complete to avoid accidentally discarding smaller parts or hardware.
- Read through the preparation and assembly instructions in full before beginning assembly.
- Please use **CAUTION AND CARE WHEN LIFTING** the product to avoid personal injury and (or) damage to the product.
- The following additional tools are required for assembly: Screwdriver
- For ease of assembly, two adults are recommended.
- Assembly time : Approximately 1 hr.

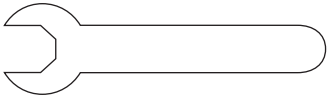
PANEL AND FITTINGS IDENTIFICATION:

 <p>(A) Back Qty: 1</p>	 <p>(B) Right Side Qty: 1</p>	 <p>(C) Left Side Qty: 1</p>
 <p>(D) Seat Qty: 1</p>	 <p>(E) Base Qty: 1</p>	

HARDWARE LIST:

 <p>(1) Bolt Ø10x40mm Qty: 2</p>	 <p>(2) Screw Ø10x60mm Qty: 4</p>	 <p>(3) Nut Qty: 8</p>
 <p>(4) Washer Qty: 10</p>	 <p>(5) Ring Qty: 12</p>	

TOOLS REQUIRED:



Single-end Wrench

Qty: 1

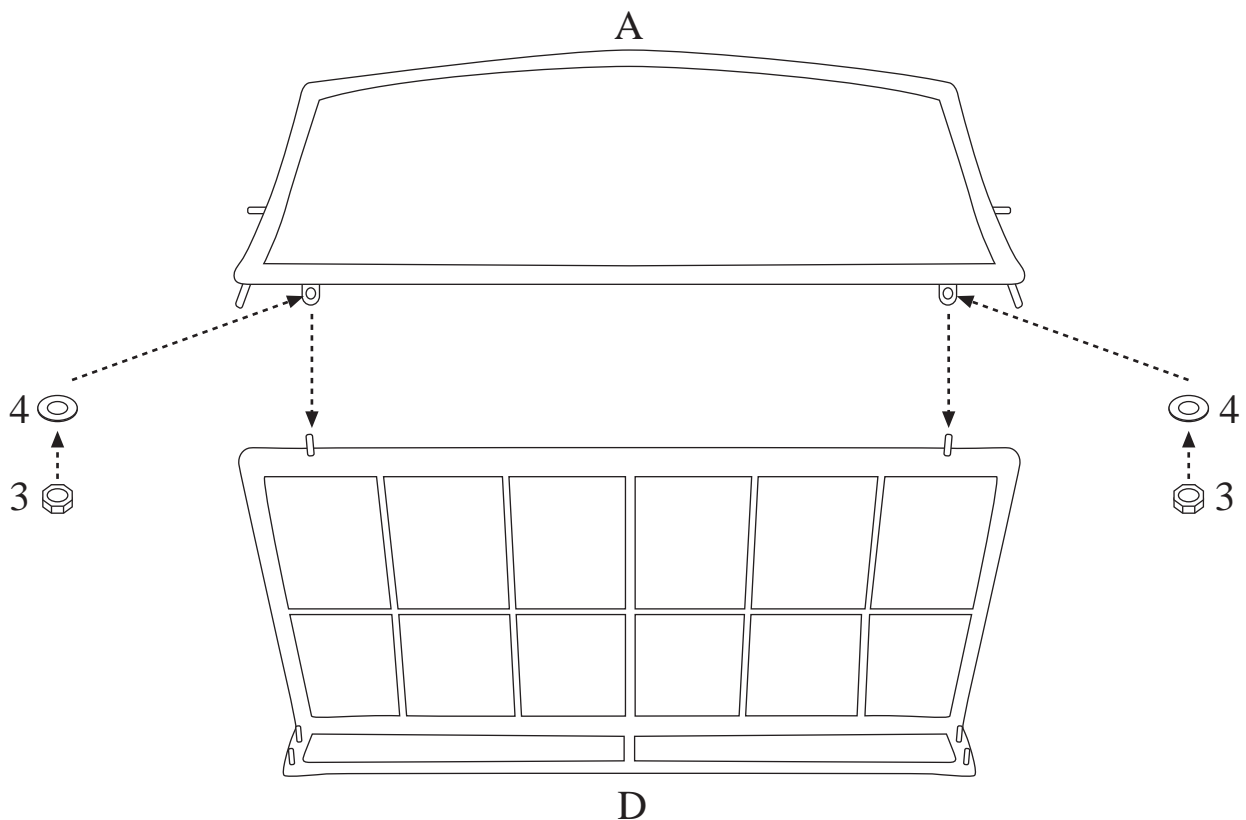


Hex Wrench

Qty: 1

STEP-BY-STEP ASSEMBLY:

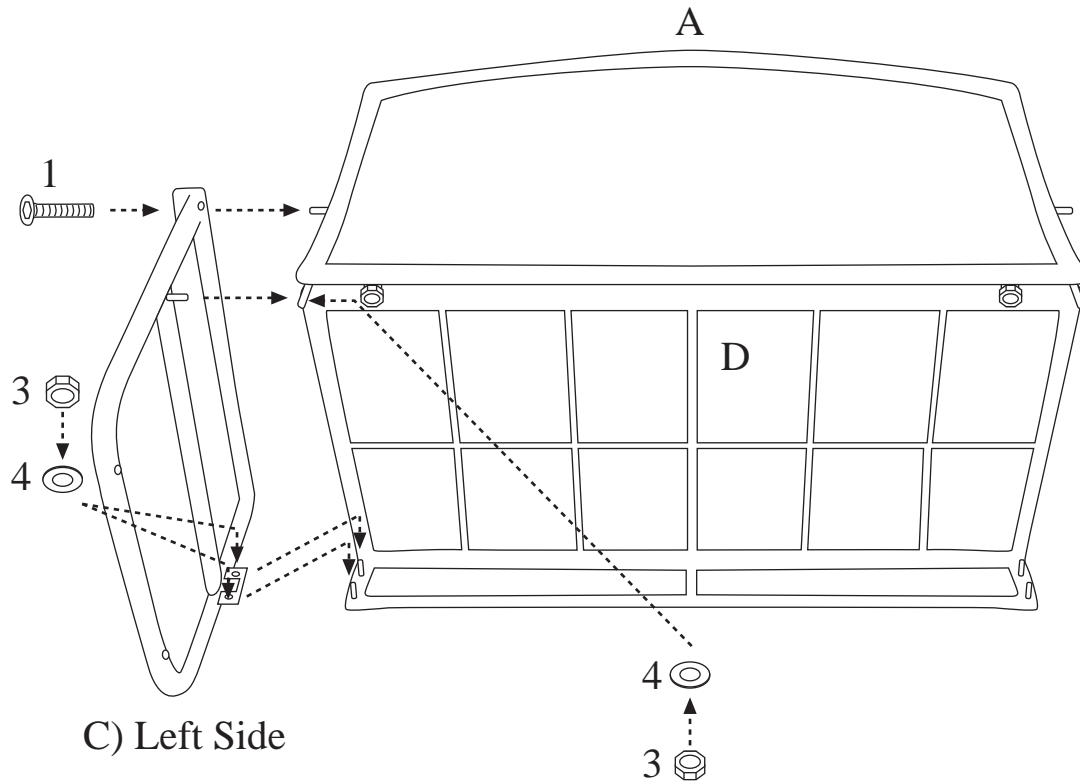
STEP 1 Line up dowels from Part D into holes on Part A, and insert Part D into Part A. Secure Part D and Part A together with Hardware Washer #4 followed by Hardware Nut #3 using the Single-end Wrench #6.



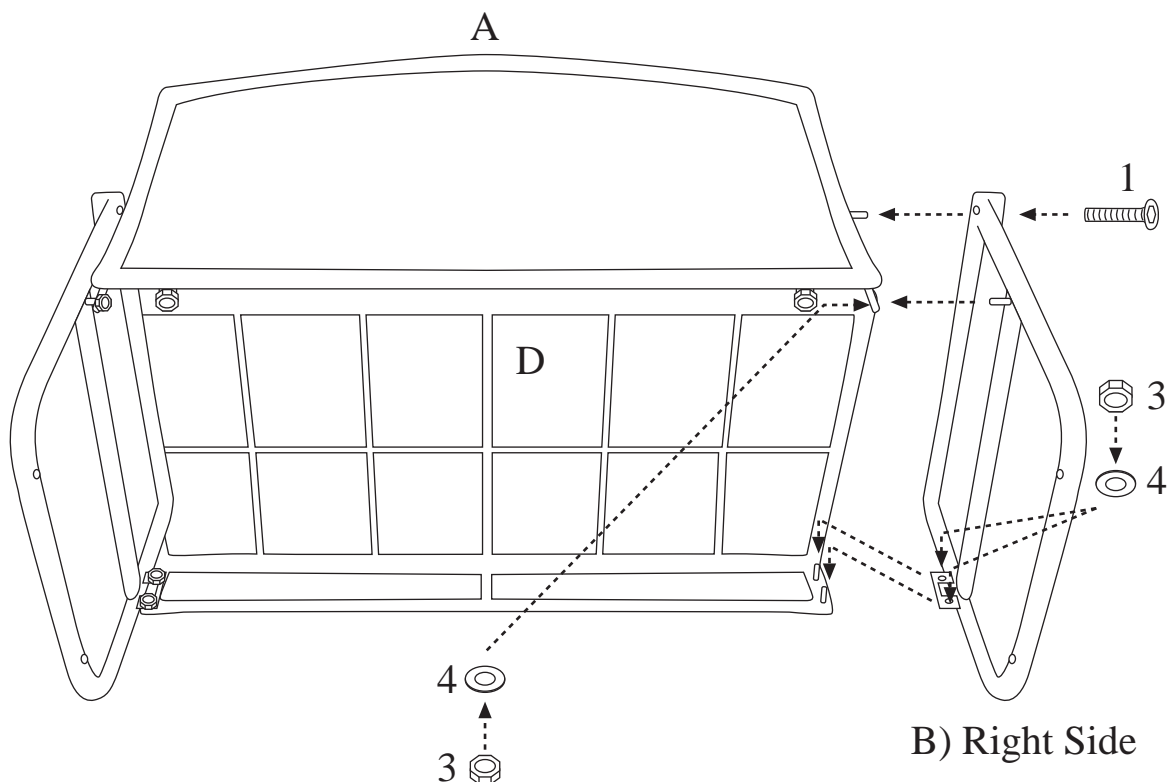
Note: Wait to fully tighten the Nuts and Bolts until they have all been inserted in the last step. Two people might be required to align holes for fasteners.

STEP-BY-STEP ASSEMBLY:

STEP 2 Line up dowels from Parts A and D into holes on Part C. Secure Part C and Part D together with Hardware Washer #4 followed by Hardware Nut #3 using the Single-end Wrench #6. Secure Part C and Part A together with Hardware Bolt #1 using the Hex Wrench #7.

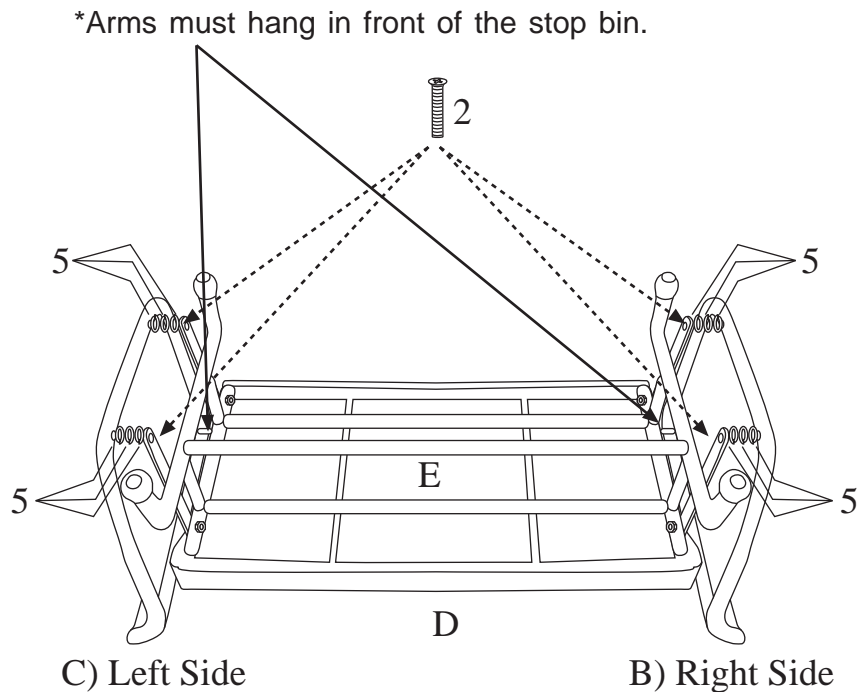


STEP 3 Line up dowels from Parts A and D into holes on Part B. Secure Part B and Part D together with Hardware Washer #4 followed by Hardware Nut #3 using the Single-end Wrench #6. Secure Part B and Part A together with Hardware Bolt #1 using the Hex Wrench #7.

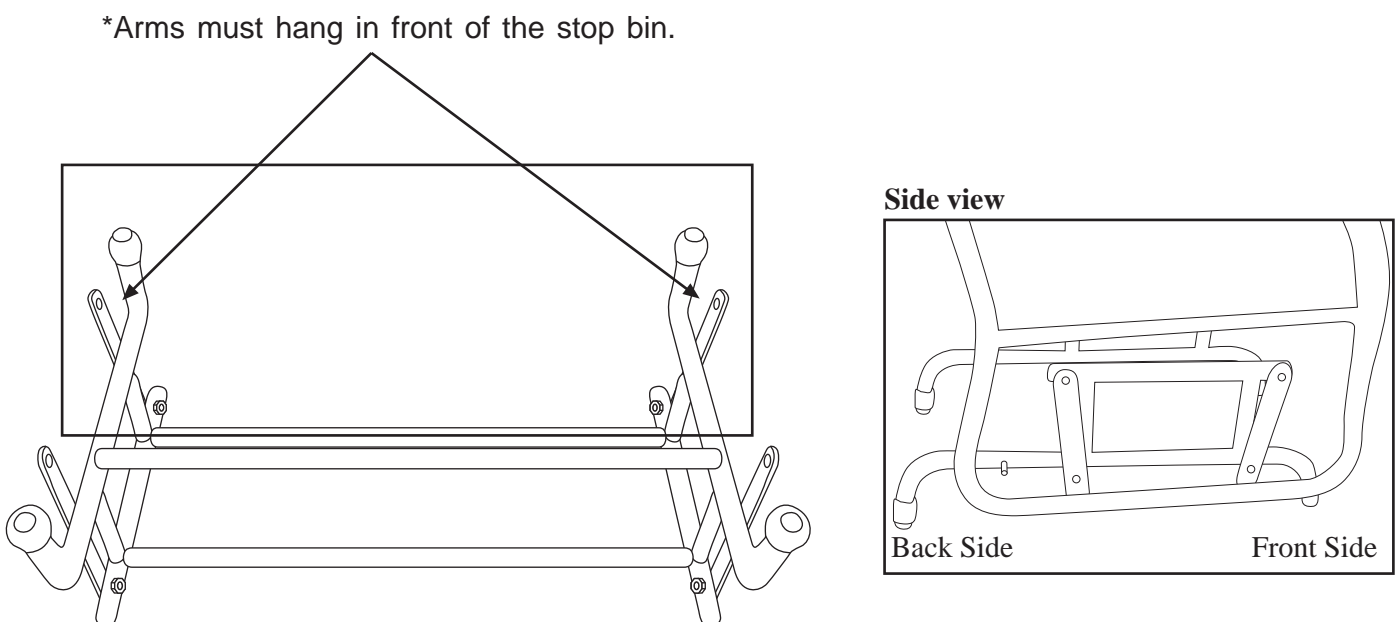


STEP-BY-STEP ASSEMBLY:

STEP 4 Line up dowels and holes on Part E with holes on Part B. Secure Part E and B with six Hardware Rings #5 (three for each leg) and Hardware Screw #2 using a Phillips screwdriver.



STEP 5 (NOTE that the long ends of the base should be at the back of the glider. This will help the glider to not tip over): Flip glider over. Line up dowels and holes on Part E with holes on Part C. Secure Part E and C with six Hardware Rings #5 (three for each leg) and Hardware Screw #2 using a Phillips screwdriver.



** BE SURE ALL FASTENERS ARE FULLY TIGHTENED BEFORE USING THE ITEM.



**For assistance with assembly, please contact customer service
1-888-880-4884**