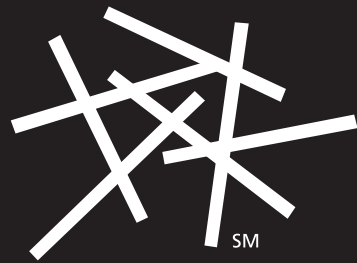
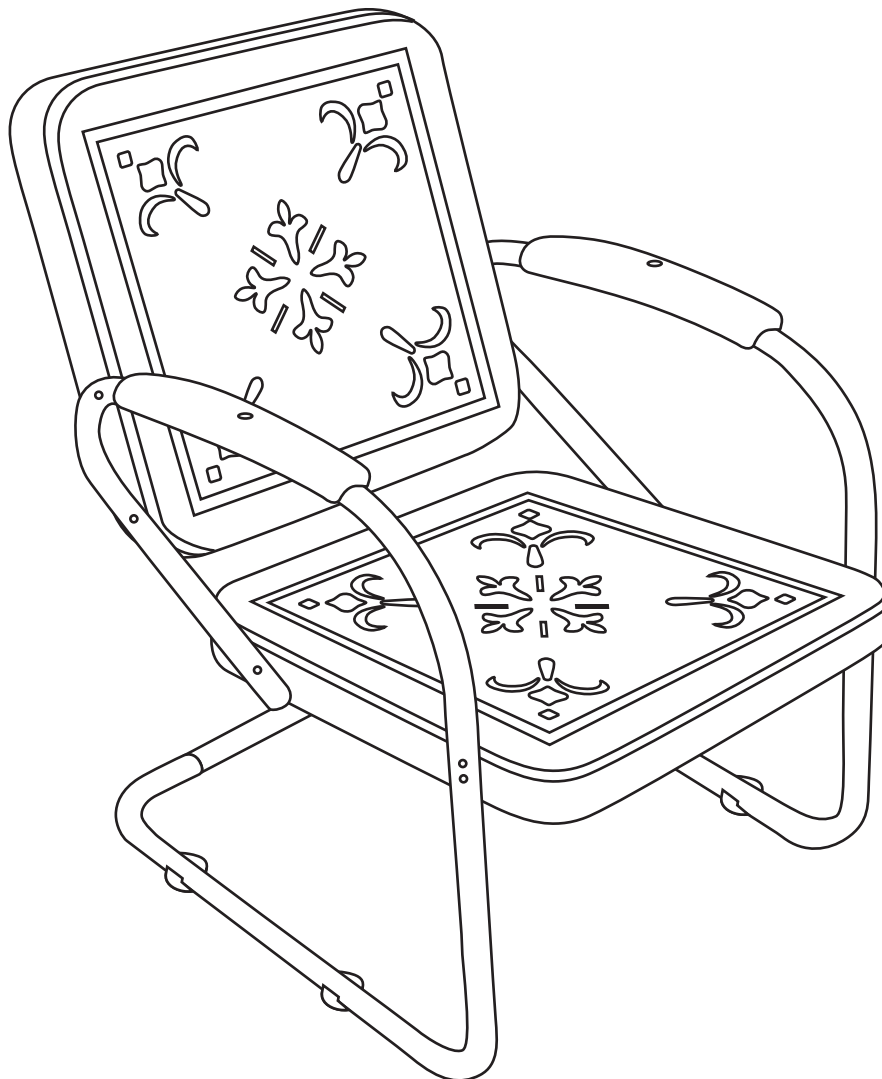


hayneedle



ITEM NAME : Paradise Cove Retro Metal Arm Chair

SKU : CWR035-1,CWR035-3



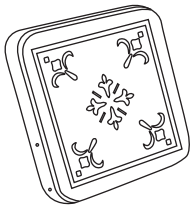
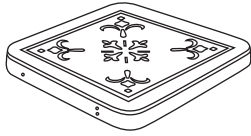
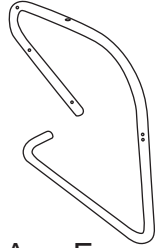
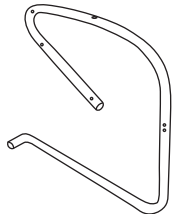
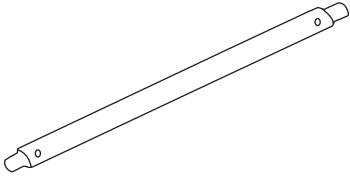
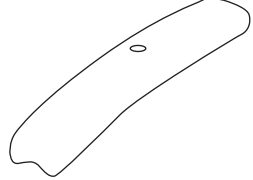
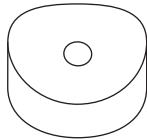
**For assistance with assembly, please contact
Hayneedle Customer Care Center
1-888-880-4884**

PRE-ASSEMBLY PREPARATION:

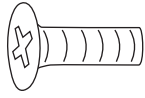
! THIS PACKAGE MAY CONTAIN SMALL ITEMS WHICH SHOULD BE KEPT AWAY FROM CHILDREN

- Please check that all parts and hardware are included before beginning assembly.
- Save all packing materials until assembly is complete to avoid accidentally discarding smaller parts or hardware.
- Read through the preparation and assembly instructions in full before beginning assembly.
- Please use CAUTION AND CARE WHEN LIFTING the product to avoid personal injury and (or) damage to the product.
- For ease of assembly, two adults are recommended.
- Assembly time : Approximately 2 hr.

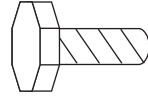
PANEL AND FITTINGS IDENTIFICATION:

 <p>(A) Back Qty: 1</p>	 <p>(B) Seat Qty: 1</p>	 <p>(C) Right Arm Frame Qty: 1</p>
 <p>(D) Left Arm Frame Qty: 1</p>	 <p>(E) Connecting Tube Qty: 1</p>	 <p>(F) Arm Cover Qty: 2</p>
 <p>(G) Rubber Feet Qty: 4</p>		

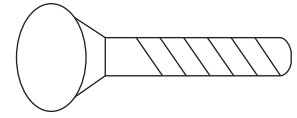
HARDWARE LIST:



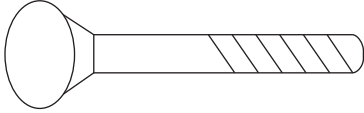
(1) Screw 6x10mm Qty: 4



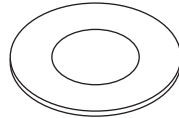
(2) Bolt 6x10mm Qty: 2



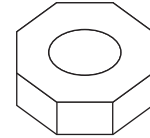
(3) Bolt 6x35mm Qty: 10



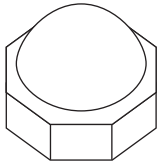
(4) Bolt 6x48mm Qty: 2



(5) Washer Qty: 14



(6) Nut Qty: 10



(7) Round t Top Nut Qty: 2

TOOLS REQUIRED:



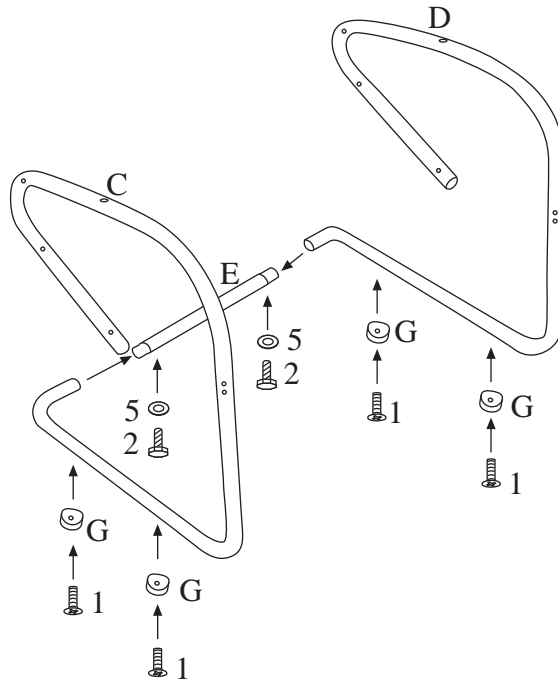
Spanner Qty: 1

STEP-BY-STEP ASSEMBLY:

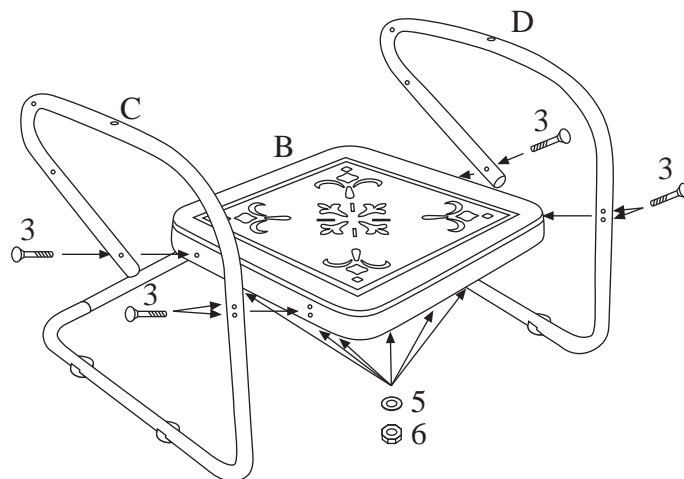
STEP 1 Attach the four rubber feet (G) at the bottom of the arm side frames (C/D) with screws (1) as shown. Insert the rear connecting tube (E) to each of the arm side frames (C/D) as shown.

The fit should be tight, and completely together. If you can't push them completely together, check the open ends of the side frames for burrs or excess powder coat paint.

Clear them out with sandpaper. Secure tube with bolt (2) and washer (5). Assemble as shown.

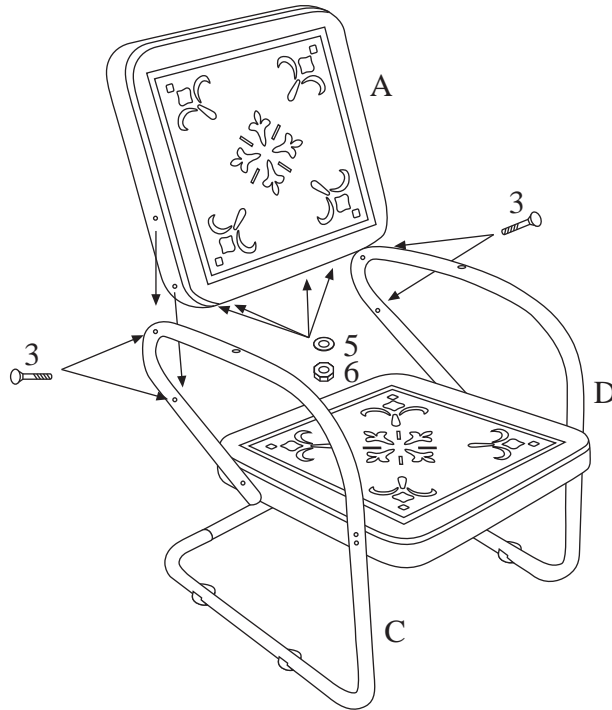


STEP 2 Attach the seat bottom (B) to side frame on both sides with screw (3) on the outside, washer (5) and nut (6) on the inside. Assemble as shown.



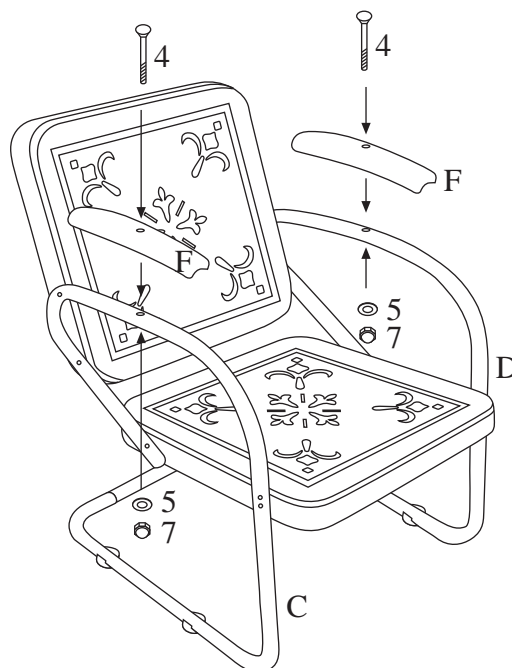
STEP-BY-STEP ASSEMBLY:

- STEP 3** Attach the seat back (A) to side frames, on both sides with bolt (3) on the outside, washer (5) and nut (6) on the inside. Assemble as shown.



- STEP 4** Carefully line up holes in arm cover (F) with holes on chair frames. Using a quick downward push, snap cover over frame. Attach arm holder (F) to each side frame with the bolt (4).

The washer (5) and round top nut (7) should be used underneath the arm cover. Assemble as shown.



IMPORTANT:

Exposure to harsh weather conditions may encourage rusting of the steel metal components. Protection from these conditions is recommended.

BE SURE ALL FASTENERS ARE FULLY TIGHTEN BEFORE SITTING ON CHAIR.



**For assistance with assembly, please contact customer service
1-888-880-4884**