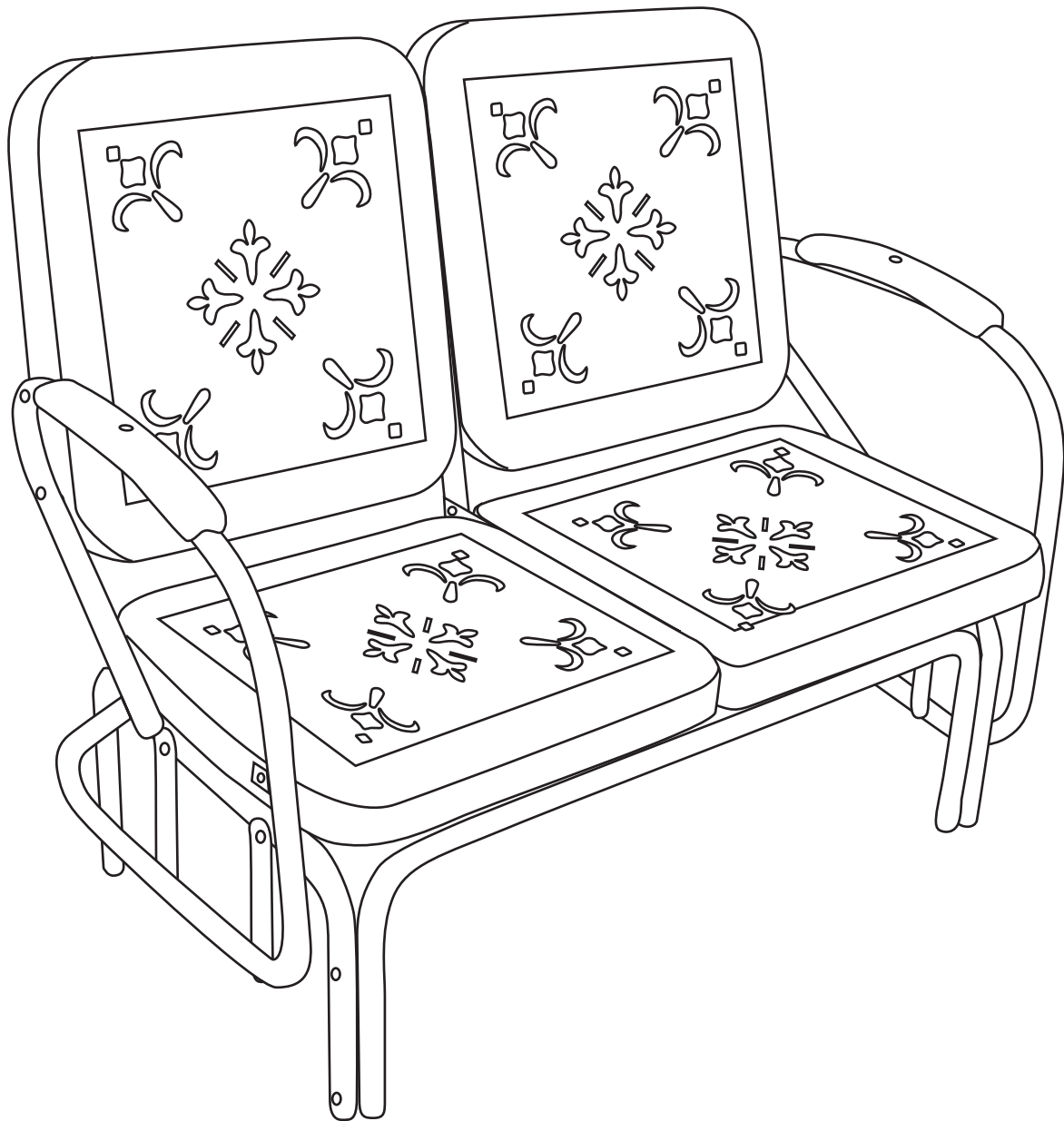


# Coral Coast®



**ITEM NAME :** Coral Coast Paradise Cove Retro Metal Glider

**SKU :** CWR033-1,CWR033-2,CWR033-3



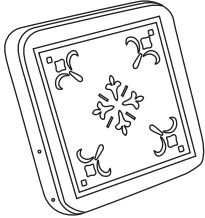
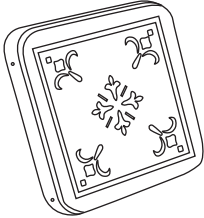
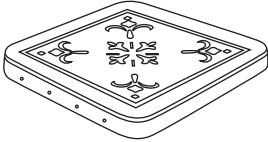
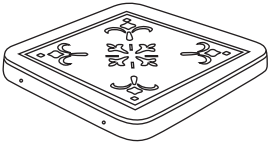
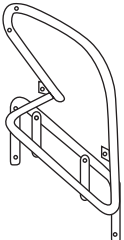
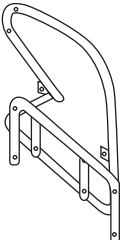
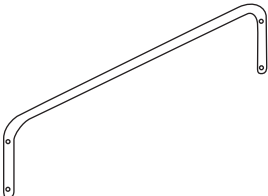
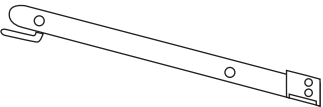
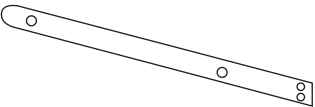
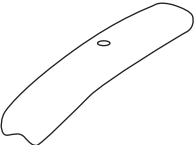
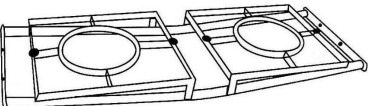
**For assistance with assembly, please contact  
Customer Care Center  
1-888-880-4884**

## PRE-ASSEMBLY PREPARATION:

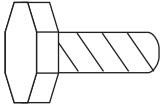
**!** THIS PACKAGE MAY CONTAIN SMALL ITEMS WHICH SHOULD BE KEPT AWAY FROM CHILDREN

- Please check that all parts and hardware are included before beginning assembly.
- Save all packing materials until assembly is complete to avoid accidentally discarding smaller parts or hardware.
- Read through the preparation and assembly instructions in full before beginning assembly.
- Please use CAUTION AND CARE WHEN LIFTING the product to avoid personal injury and (or) damage to the product.
- For ease of assembly, two adults are recommended.

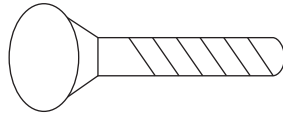
## PANEL AND FITTINGS IDENTIFICATION:

 <p>(A) Right Back Qty: 1</p>	 <p>(B) Left Back Qty: 1</p>	 <p>(C) Right Seat Qty: 1</p>
 <p>(D) Left Seat Qty: 1</p>	 <p>(E) Right Arm Qty: 1</p>	 <p>(F) Left Arm Qty: 1</p>
 <p>(G) Connecting Tube Qty: 2</p>	 <p>(H) Flat Metal Bar with Hook (for Seat) Qty: 1</p>	 <p>(I) Flat Metal Bar (for Back) Qty: 1</p>
 <p>(J) Arm Cover Qty: 2</p>	 <p>(K) Seat Frame Support Qty: 1</p>	

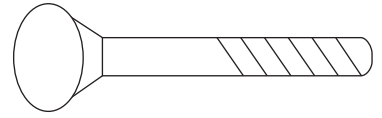
## HARDWARE LIST:



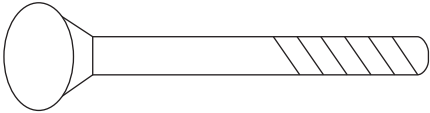
(1) Bolt 6x15mm Qty: 14



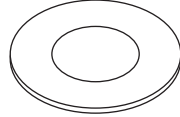
(2) Bolt 6x35mm Qty: 4



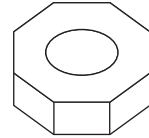
(3) Bolt 6x48mm Qty: 2



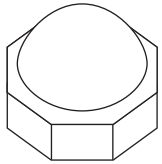
(4) Bolt 6x55mm Qty: 8



(5) Washer Qty: 38



(6) Nut Qty: 22



(7) Round t Top Nut Qty: 2

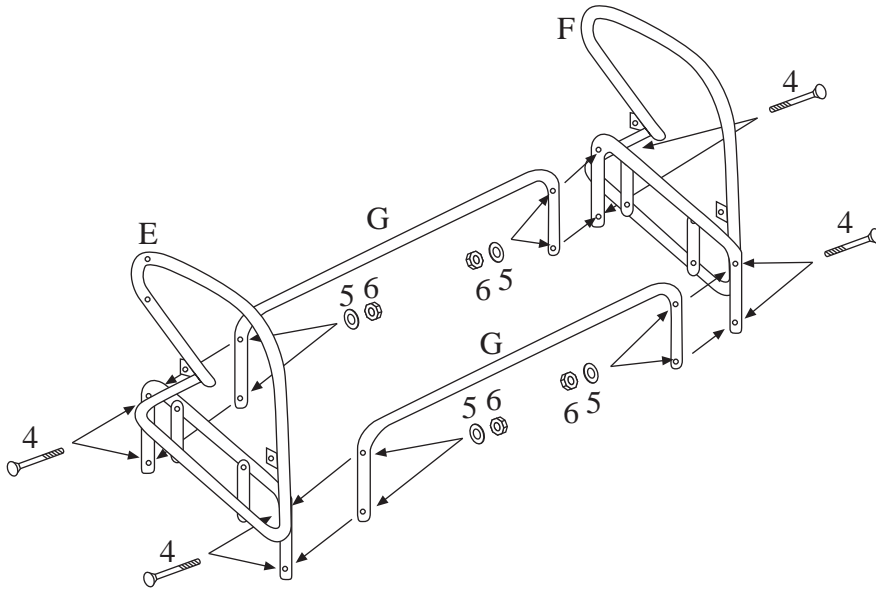
## TOOLS REQUIRED:



Spanner Qty: 1

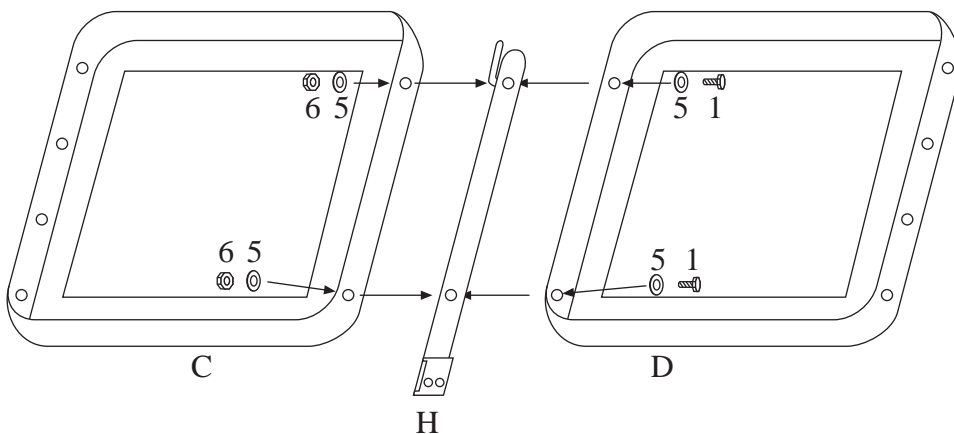
## STEP-BY-STEP ASSEMBLY:

### STEP 1

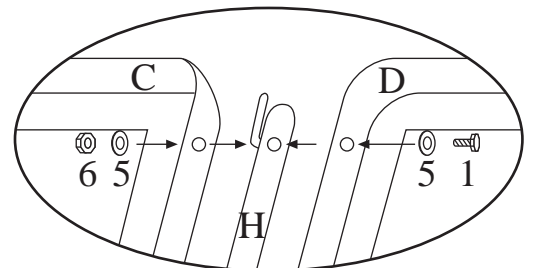


Connect Right Arm Part E to two Connecting Tubes Part G (X2) from the outside using Bolt 4 (X4) with Washer 5 (X4) and Nut 6 (X4) on the inside. Connect Left Arm Part F to two Connecting Tubes Part G (X2) from the outside using Bolt 4 (X4) with Washer 5 (X4) and Nut 6 (X4) on the inside.

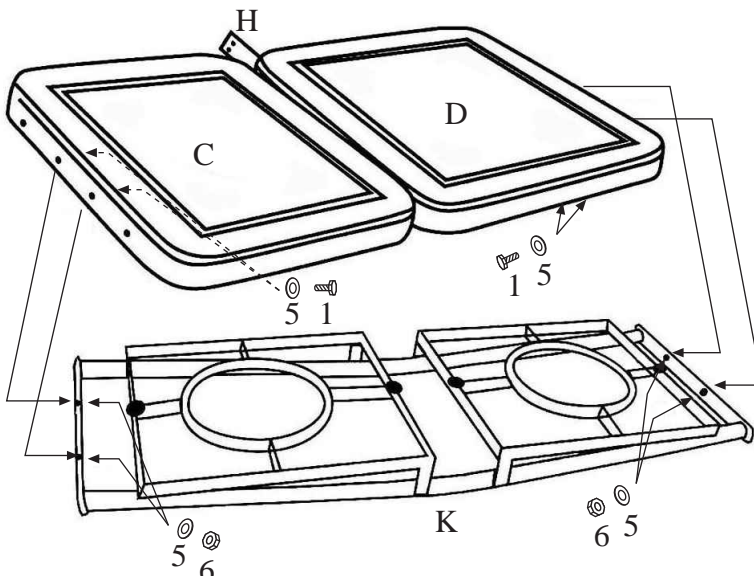
### STEP 2



Construct the glider seat bottom by connecting Right Seat Part C (X1) through flat Metal Bar with Hook Part H (X1) to Left Seat Part D (X1) using Bolt 1 (X2) with Washer 5 (X4) and Nut 6 (X2).



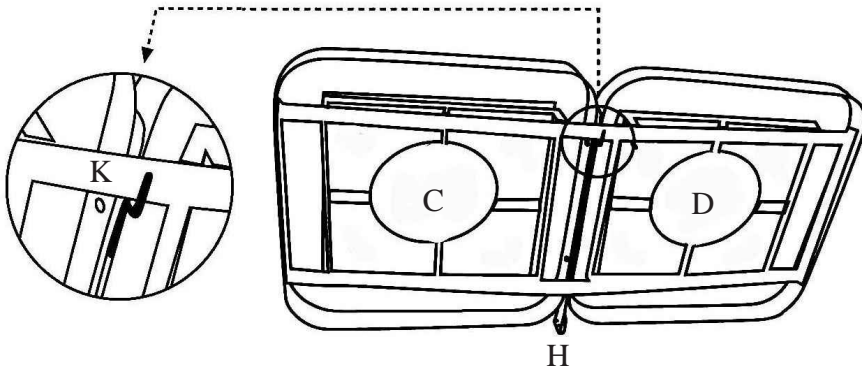
### STEP 3



Connect Seat Frame Support Part K (X1) to the bottom of glider Seats (Parts C and D) using Bolt 1 (X2) with Washer 5 (X4) and Nut 6 (X2).

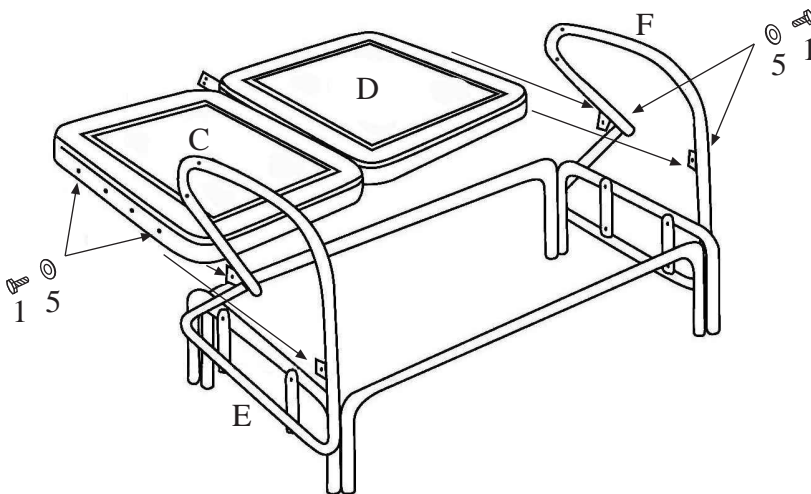
## STEP-BY-STEP ASSEMBLY:

### STEP 4



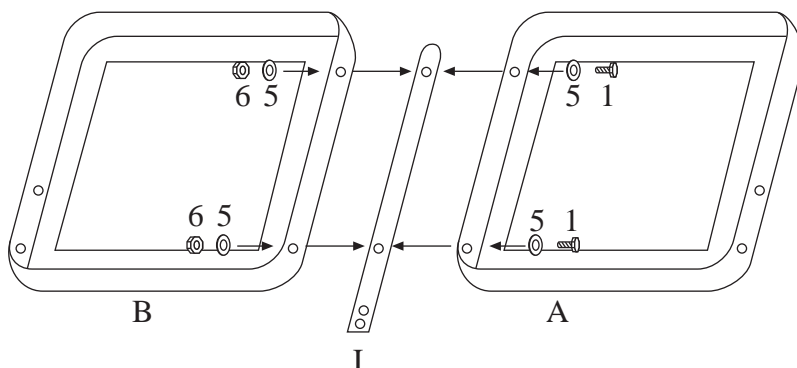
Attach the Glider Seats (Parts C and D) to the hooks of the Seat Frame Support Part K.

### STEP 5



Attach Seat Bottom (Parts C, D and K) to the glider frame using Bolt 1 (X4) with Washer 5 (X4) – no nuts needed at this step.

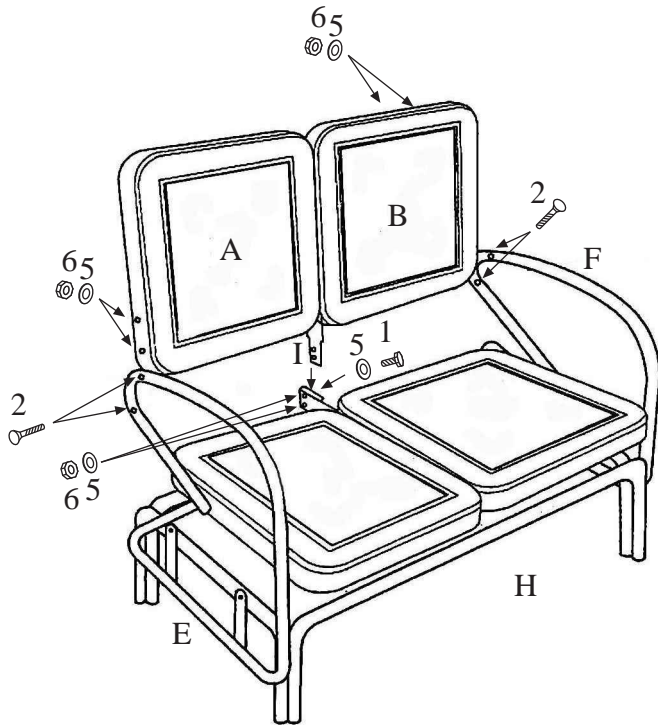
### STEP 6



Construct the glider back by connecting Right Back Part A (X1) through flat Metal Bar Part I (X1) to Left Back Part B using (X1) using Bolt 1 (X2) with Washer 5 (X4) and Nut 6 (X2).

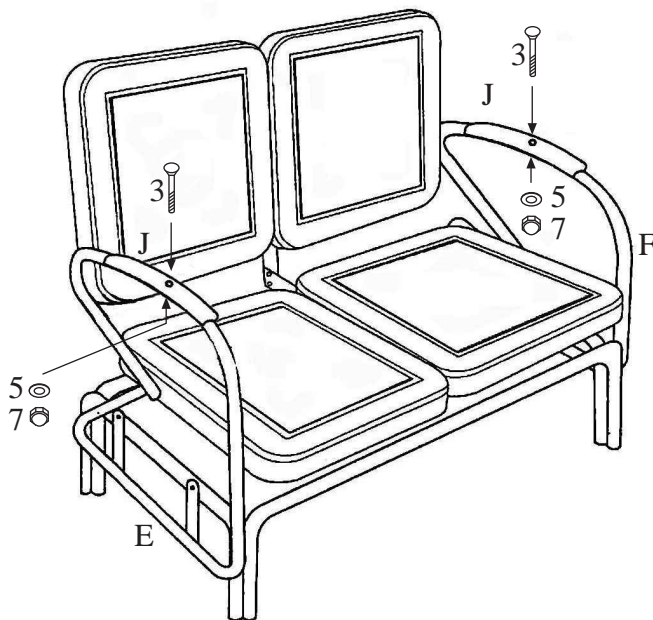
## STEP-BY-STEP ASSEMBLY:

### STEP 7



Connect the Metal Bar Part I to the Metal Bar with Hook Part H using Bolt 1 (X1) with Washer 5 (X2) and Nut 6 (X1). Connect the seat back to the glider Right Arm Frame using Bolt 2 (X2) with Washer 5 (X2) and Nut 6 (X2). Connect the seat back to the glider Left Arm Frame using Bolt 2 (X2) with Washer 5 (X2) and Nut 6 (X2).

### STEP 8



Connect the Arm Cover Part J to the glider arm frame by aligning the pre-drilled holes of the glider frame to the arm cover. Using a quick downward push, snap the arm cover over the arm of the glider frame. Use Bolt 4 (X2) with Washer 5 (X2) and Nut 7 (X2).

#### IMPORTANT:

Exposure to harsh weather conditions may encourage rusting of the steel metal components. Protection from these conditions is recommended.

**BE SURE ALL FASTENERS ARE FULLY TIGHTEN BEFORE SITTING ON CHAIR.**