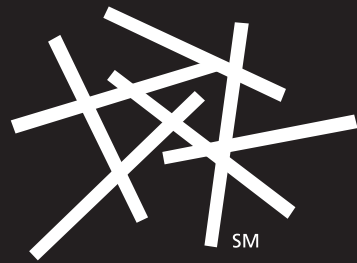
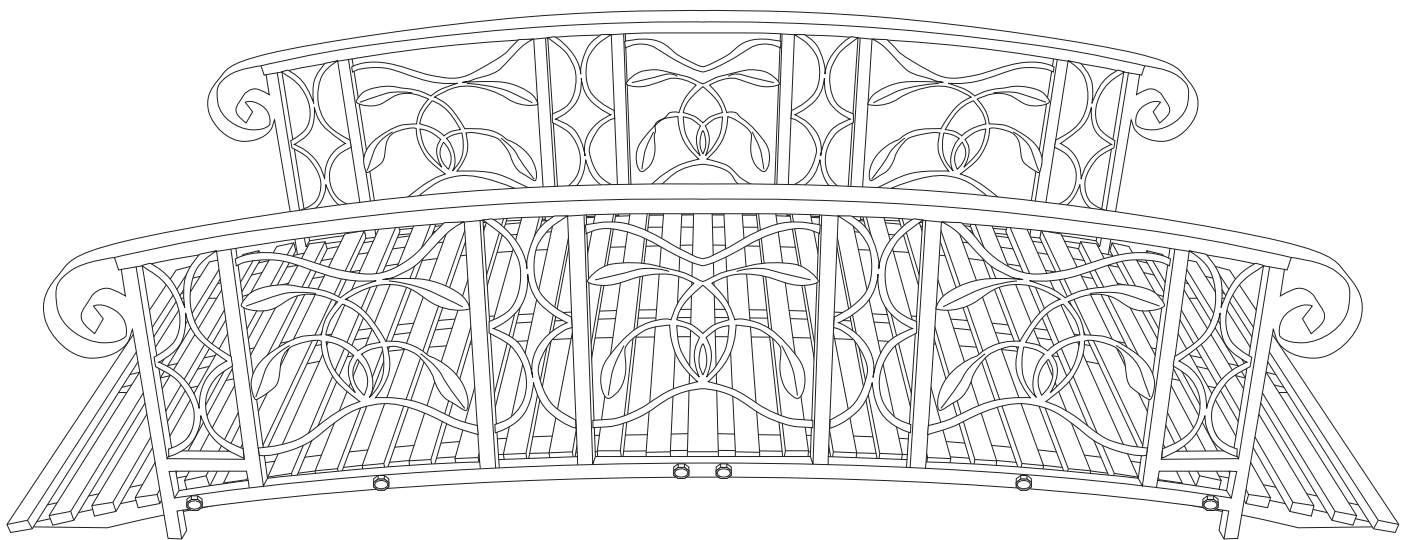


hayneedle



ITEM NAME : Willow Creek 6 Foot Metal Garden Bridge

SKU : CWR031,CWR177



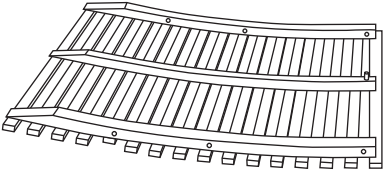
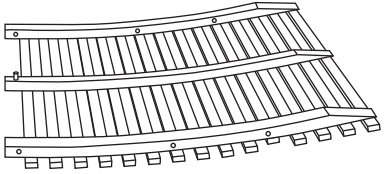

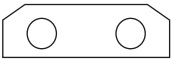
**For assistance with assembly, please contact
Hayneedle Customer Care Center
1-888-880-4884**

PRE-ASSEMBLY PREPARATION:

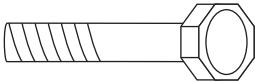
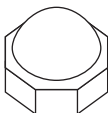
! THIS PACKAGE MAY CONTAIN SMALL ITEMS WHICH SHOULD BE KEPT AWAY FROM CHILDREN

- Please check that all parts and hardware are included before beginning assembly.
- Save all packing materials until assembly is complete to avoid accidentally discarding smaller parts or hardware.
- Read through the preparation and assembly instructions in full before beginning assembly.
- Please use CAUTION AND CARE WHEN LIFTING the product to avoid personal injury and (or) damage to the product.
- For ease of assembly, two adults are recommended.
- Assembly time : Approximately 1 hr.

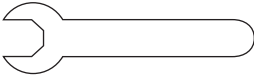
PANEL AND FITTINGS IDENTIFICATION:

 <p>(A) Right Side Arch Qty: 1</p>	 <p>(B) Left Side Arch Qty: 1</p>	 <p>(C) Railing Qty: 2</p>
 <p>(D) Connect Brace Qty: 3</p>		

HARDWARE LIST:

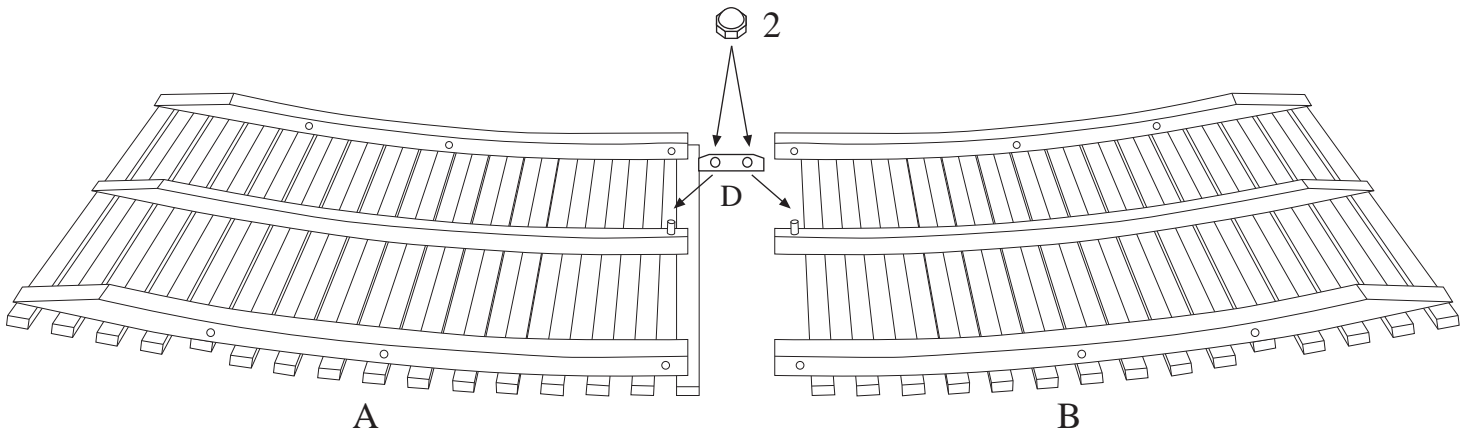
 <p>(1) Bolt Ø10x75mm Qty: 12</p>	 <p>(2) Cap Nut Ø13mm Qty: 14</p>
--	--

TOOLS REQUIRED:

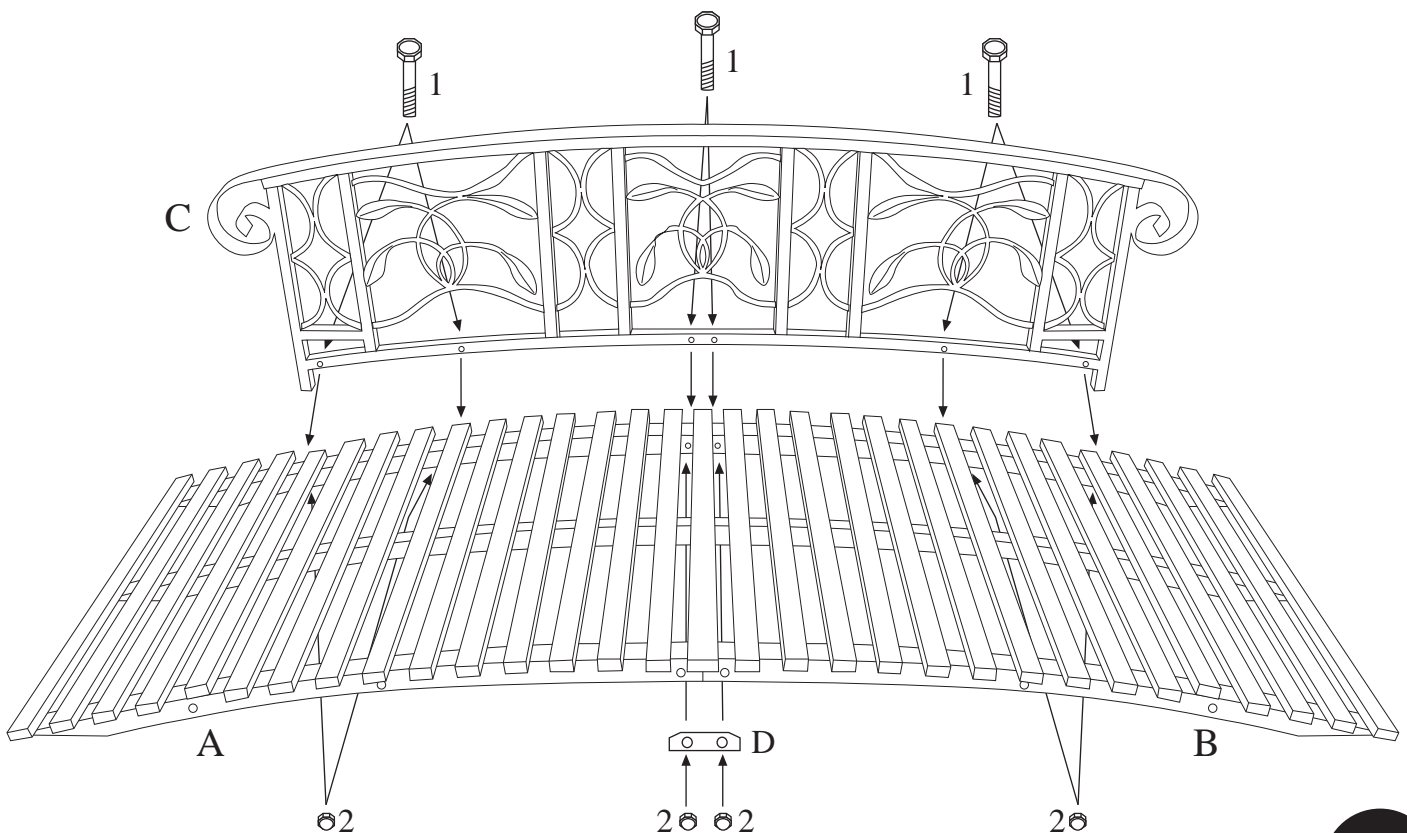
 <p>Wrench Qty: 1</p>
--

STEP-BY-STEP ASSEMBLY:

- STEP 1** - Wait until the end of Step 3 to fully tighten all the Cap Nuts. Place the Right Side Arch (A) next to the Left Side Arch (B) as shown.
- Place a Connector Brace (D) over the stems as shown, and retain it with two Cap Nuts (2).

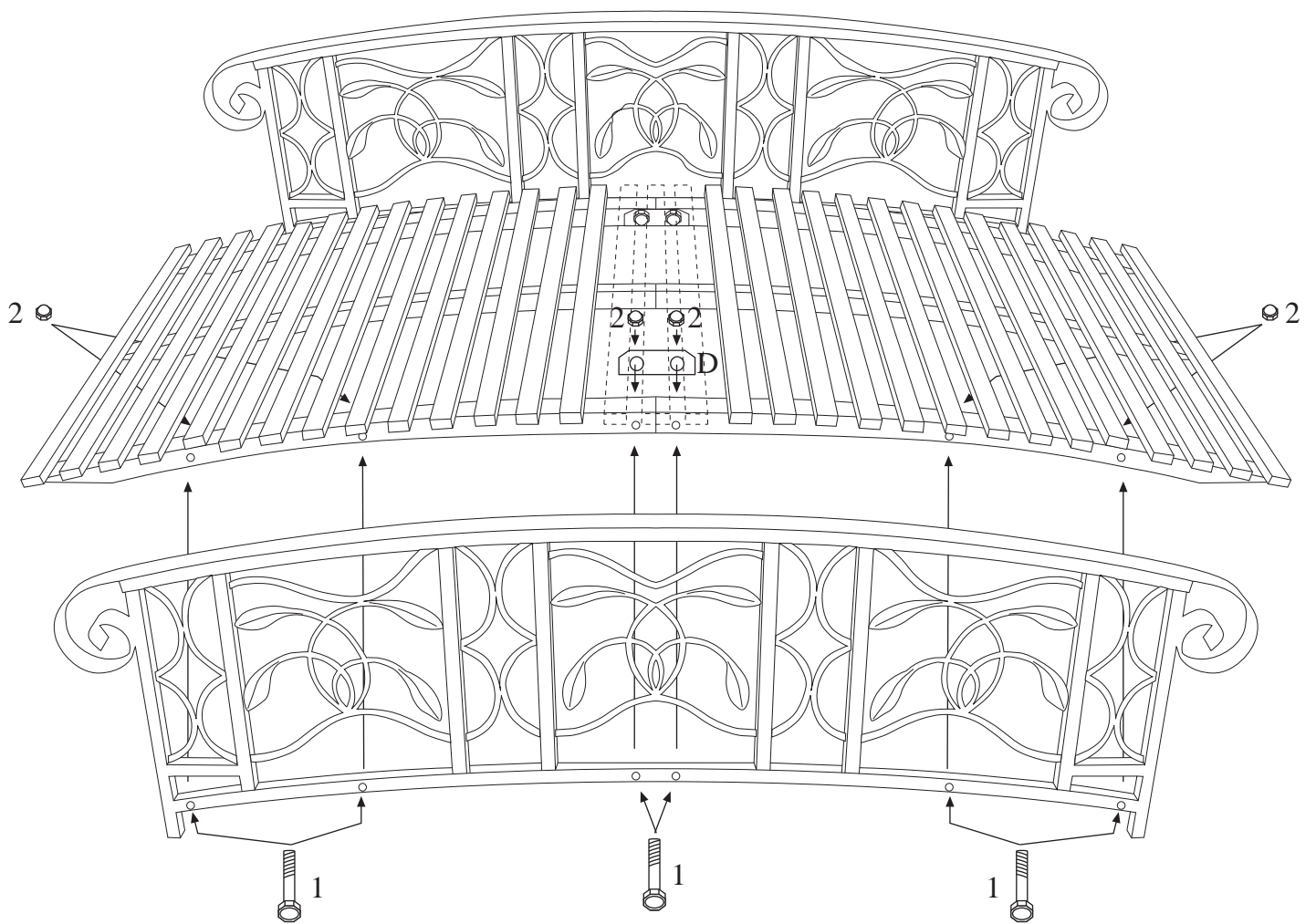


- STEP 2** - Insert two Bolts (1) through the two middle holes of a Side Railing, the side of the Arches, and a Connector Brace, and secure with Cap Nuts (2).
- Use four Bolts and Cap Nuts to secure the remainder of the Railing.



STEP-BY-STEP ASSEMBLY:

- STEP 3** - Attach the second Railing in the same manner as the first.
- After all Cap Nuts have been attached, fully tighten them.



**** BE SURE ALL FASTENERS ARE FULLY TIGHTENED BEFORE USING THE ITEM.**



**For assistance with assembly, please contact customer service
1-888-880-4884**