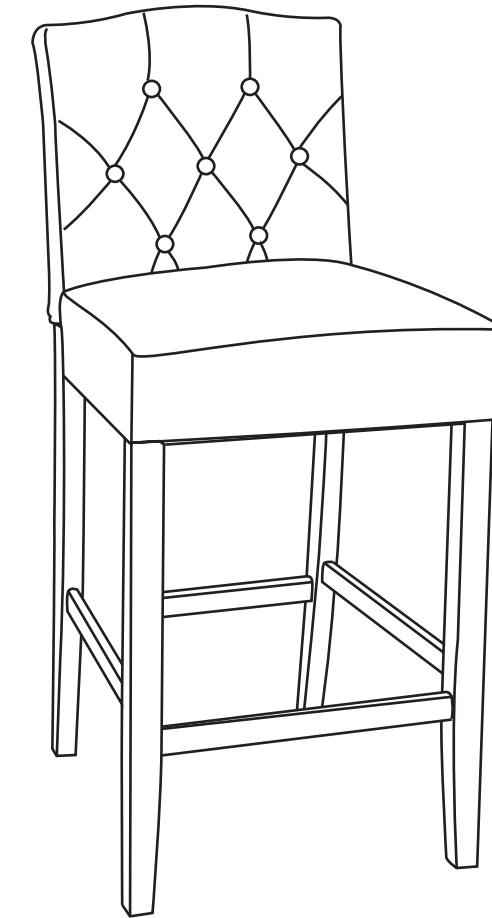


# hayneedle

ITEM NAME: MORGANA Parsons Bar/Counter Stool  
 SKU: CTY1434-1/CTY1434-2/CTY1434-3  
 SKU: CTY1435-1/CTY1435-2/CTY1435-3



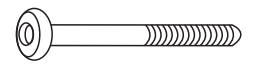
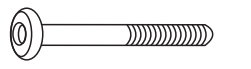

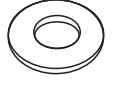




For assistance with assembly, please contact  
 Hayneedle Customer Care Center  
 1-888-880-4884

## ASSEMBLY INSTRUCTION

### GENERAL INFORMATION

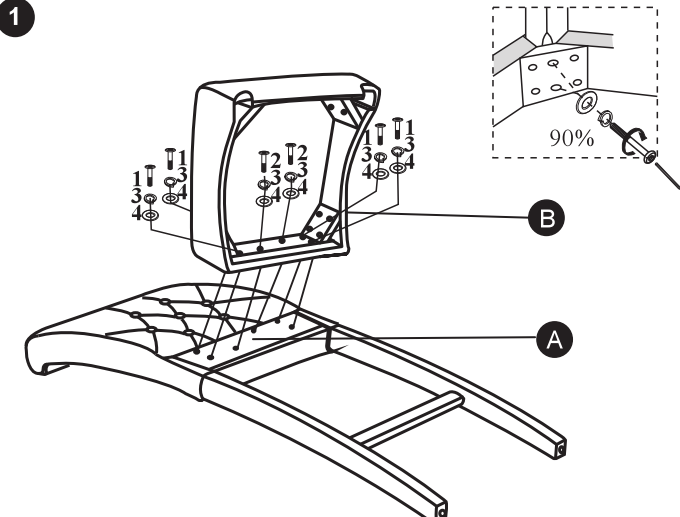
PLEASE READ THESE ASSEMBLY INSTRUCTION PRIOR TO ASSEMBLING  
 TO AVOID DAMAGE, ASSEMBLE THE CHAIR ON A NON-ABRASIVE SURFACE, EG, A CARPET  
 MAKE SURE ALL BOLTS ARE TIGHTLY FASTENED BEFORE THE CHAIR IS USED

### PARTS & HARDWARE LIST

Part	Quantity	Part	Quantity	Image	Image
A Chair Back	1 PC	B Seat	1 PC		
C Front Leg	2 PCS	D Front Stretcher	1 PC		
E Side Stretcher	2 PCS				
					
				1 Bolt: M8x85mm 4 PCS	2 Bolt: M8x60mm 6 PCS
				3 Spring Washer 10 PCS	4 Flat Washer 10 PCS
				5 Allen Key 1 PC	6 Flat Head Screw 6 PCS

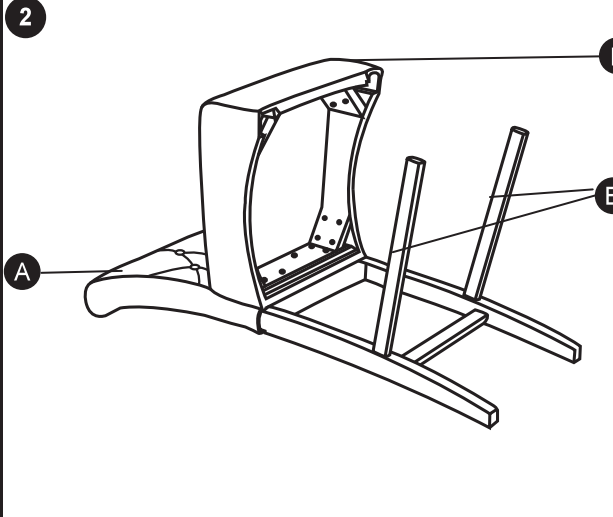
### ASSEMBLY STEP

**1**



Put the Chair Back(A) on a non-abrasive table. Attach the Seat (B) to Chair Back(A) using four long Bolts(1), two short Bolts(2), six Spring Washers(3) and six Flat Washers(4) with the provided Allen Key(5). Do not fully tighten any bolt, but 90%.

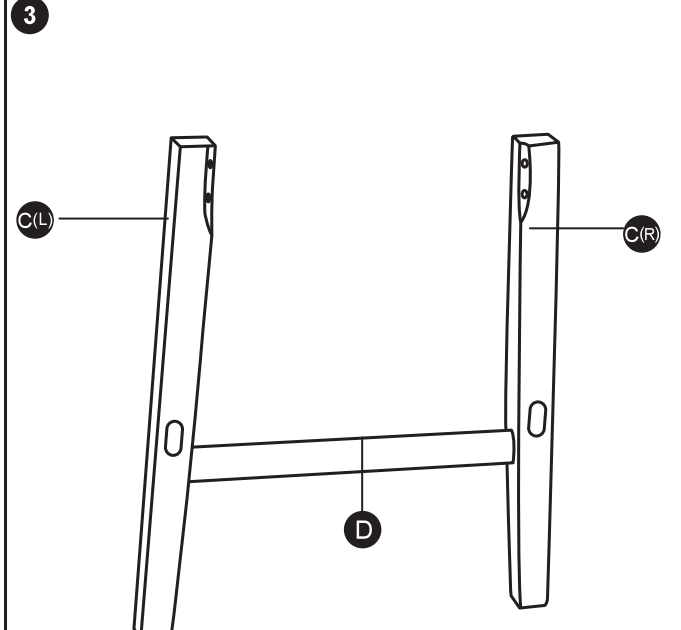
**2**



Inset the CHAMFERRED END of Side Stretchers(E) into the holes of Chair Back legs(A) as shown. Please don't assemble Side Stretchers(E) with any bolt or screw.

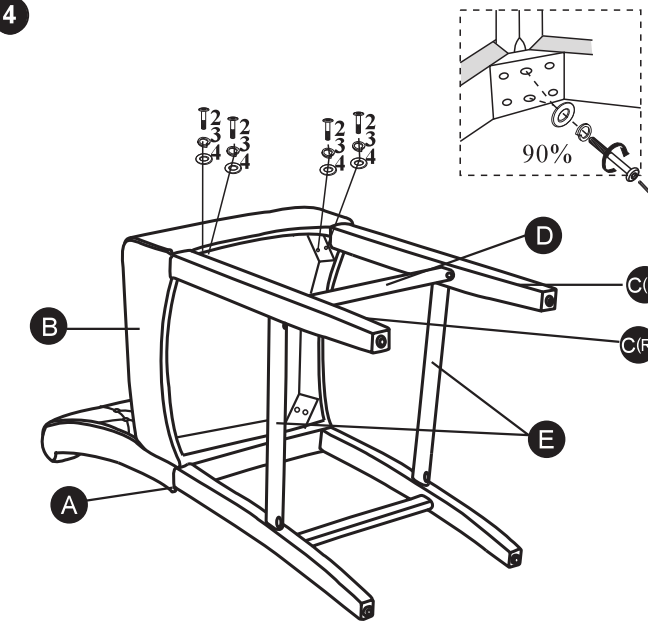
## ASSEMBLY INSTRUCTION

**3**



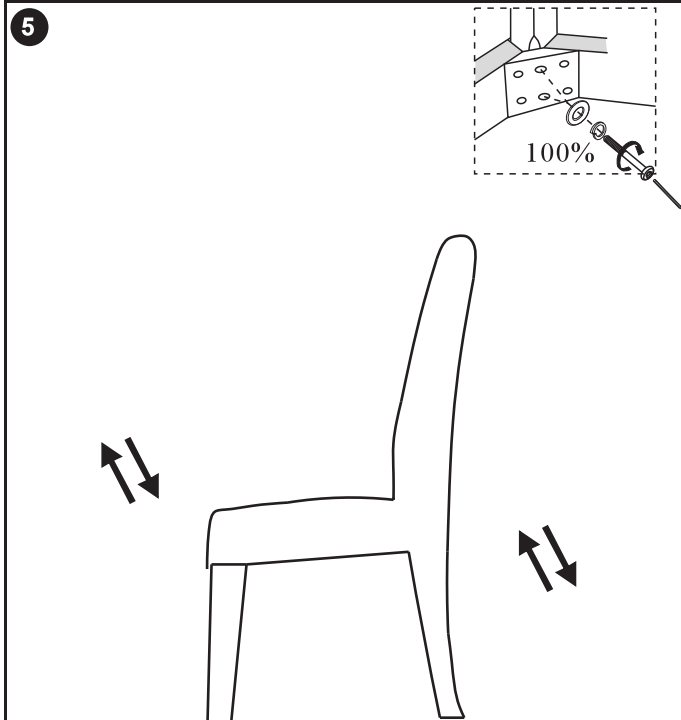
Inset the Front Stretcher(D) into the correct holes of two Front legs(C) as shown, and it is taken to be spare part for next step.

**4**




Assemble Front Legs(C) to the front of the Seat(B) using four Bolts(2), four Spring Washers(3) and four Flat Washers(4) with the provided Allen Key(5). Do not fully tighten any bolt, but 90%.

**5**

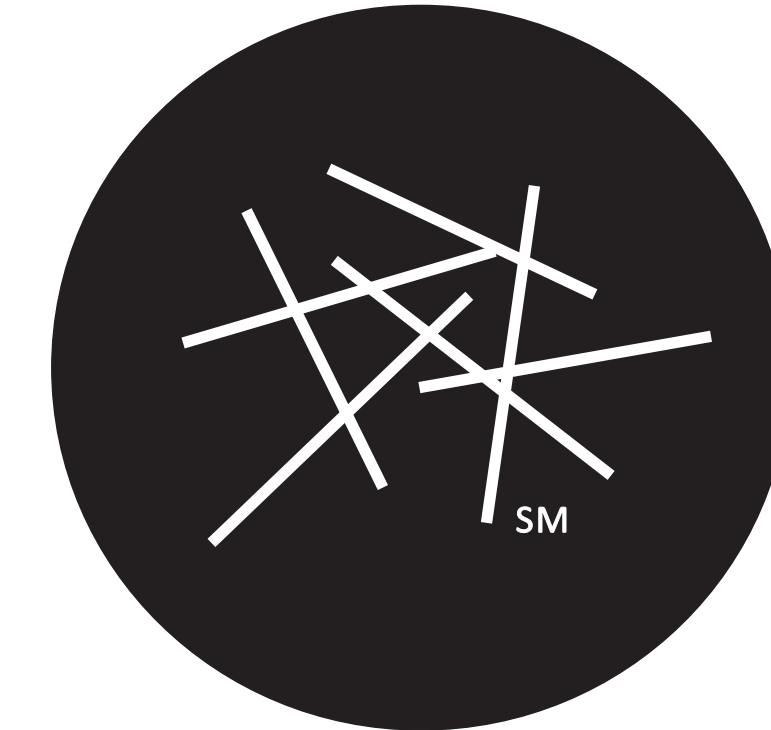


Confirm chair is level and adjust legs as needed. Then fully tighten bolts with Allen key. Place the vinyl flap to the bottom of the Seat(B) using the adhesive strips.

**6**



Put six Flat Head Screws (6) into the holes of Front Stretcher (D) and Side Stretchers(E), and fully tighten them. Now the chair is completely assembled, and it is ready to use.



For assistance with assembly, please contact customer service  
 1-888-880-4884