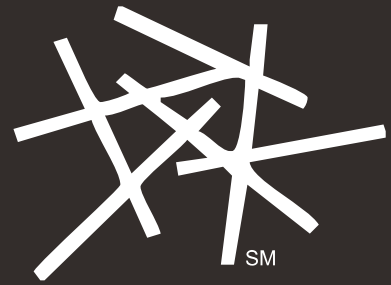
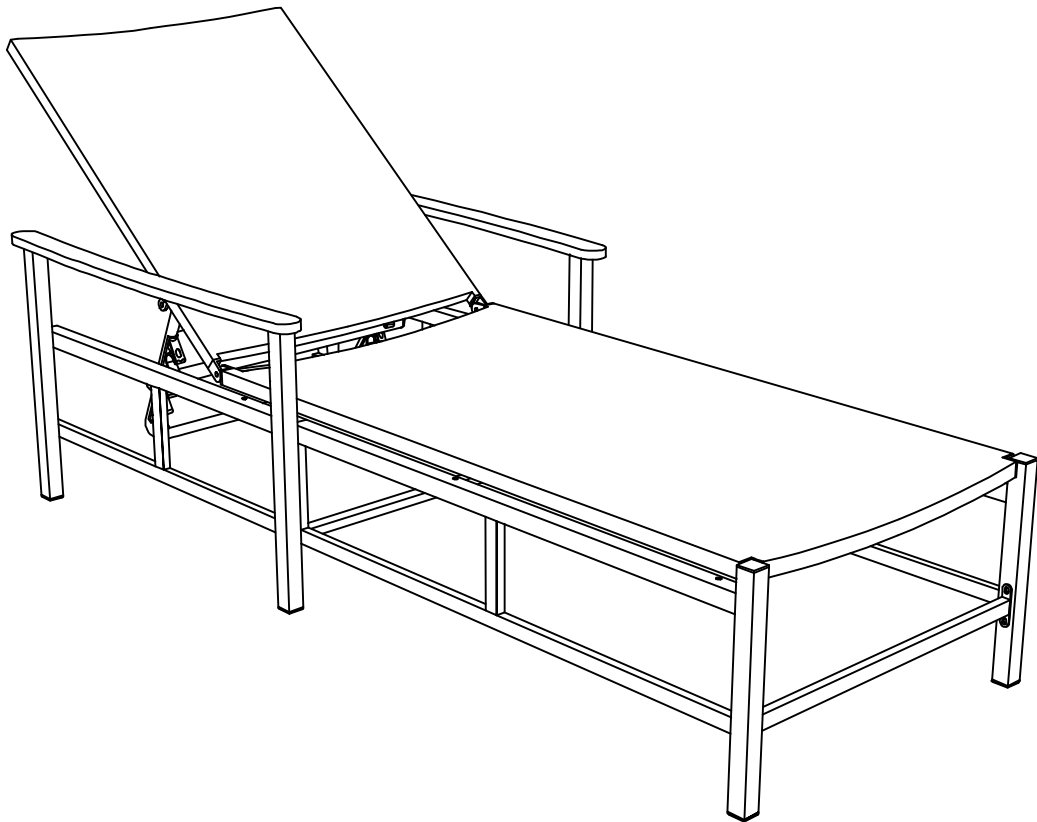


hayneedle



ITEM NAME:Belham Living Eastport Open Weave All Weather Wicker Chaise Lounge

SKU:CRY832-1



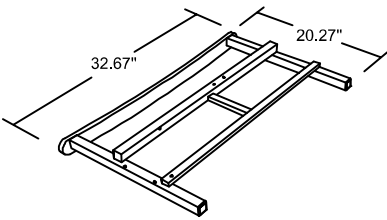
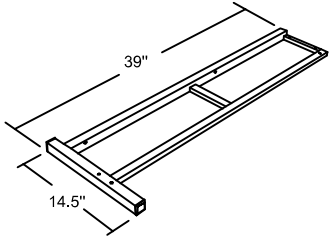
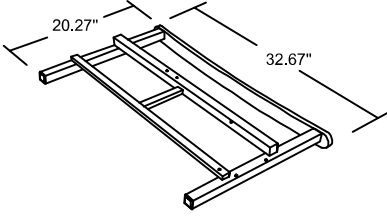
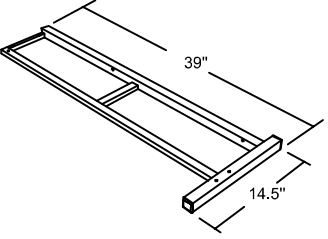
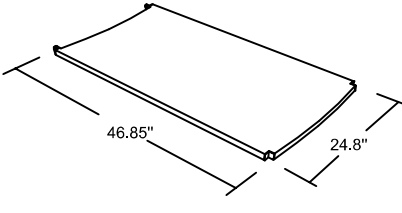
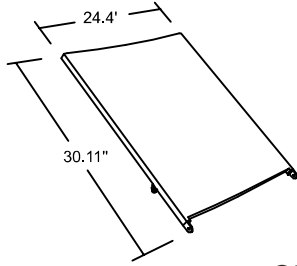
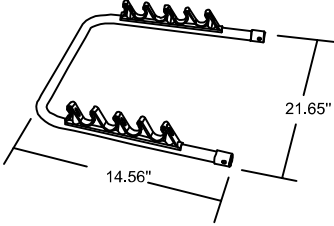
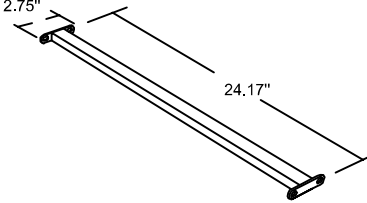
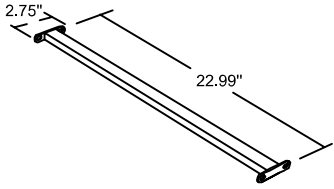
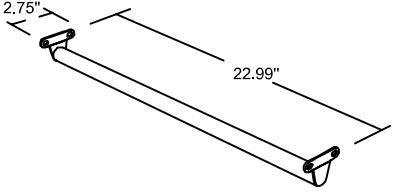
PRE-ASSEMBLY PREPARATION:



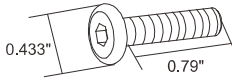
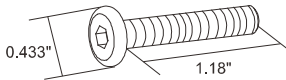
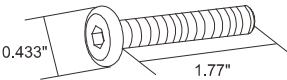
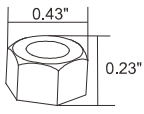
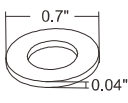
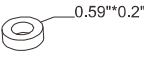
THIS PACKAGE MAY CONTAIN SMALL ITEMS WHICH SHOULD BE KEPT AWAY FROM CHILDREN

- Please check that all parts and hardware are included before beginning assembly.
- Save all packing materials until assembly is complete to avoid accidentally discarding smaller parts or hardware.
- Read through the preparation and assembly instructions in full before beginning assembly.
- Please use CAUTION AND CARE WHEN LIFTING the product to avoid personal injury and (or) damage to the product.
- For ease of assembly, two adults are recommended.

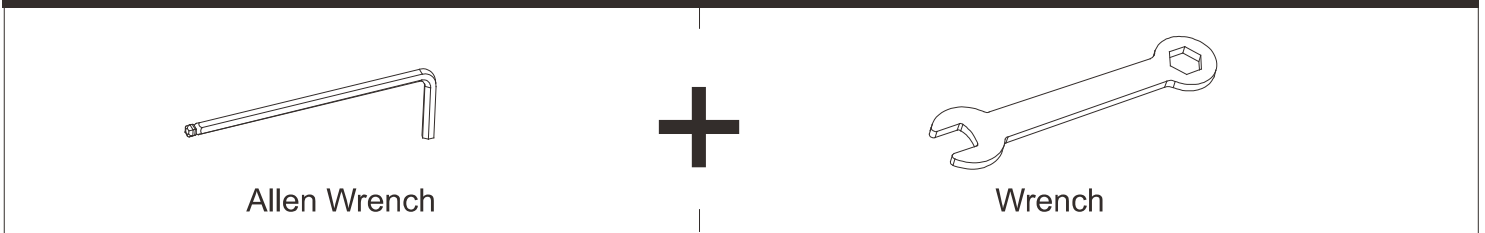
PANEL AND FITTINGS IDENTIFICATION:

 <p>Left Arm Panel (A) QTY 1</p>	 <p>Left Side Panel (B) QTY 1</p>	 <p>Right Arm Panel (C) QTY 1</p>
 <p>Right Side Panel (D) QTY 1</p>	 <p>Seat Panel (E) QTY 1</p>	 <p>Backrest Panel (F) QTY 1</p>
 <p>U Bar (G) QTY 1</p>	 <p>Long Bar (H) QTY 1</p>	 <p>Short Bar (I) QTY 1</p>
 <p>Backrest Bar (J) QTY 1</p>		

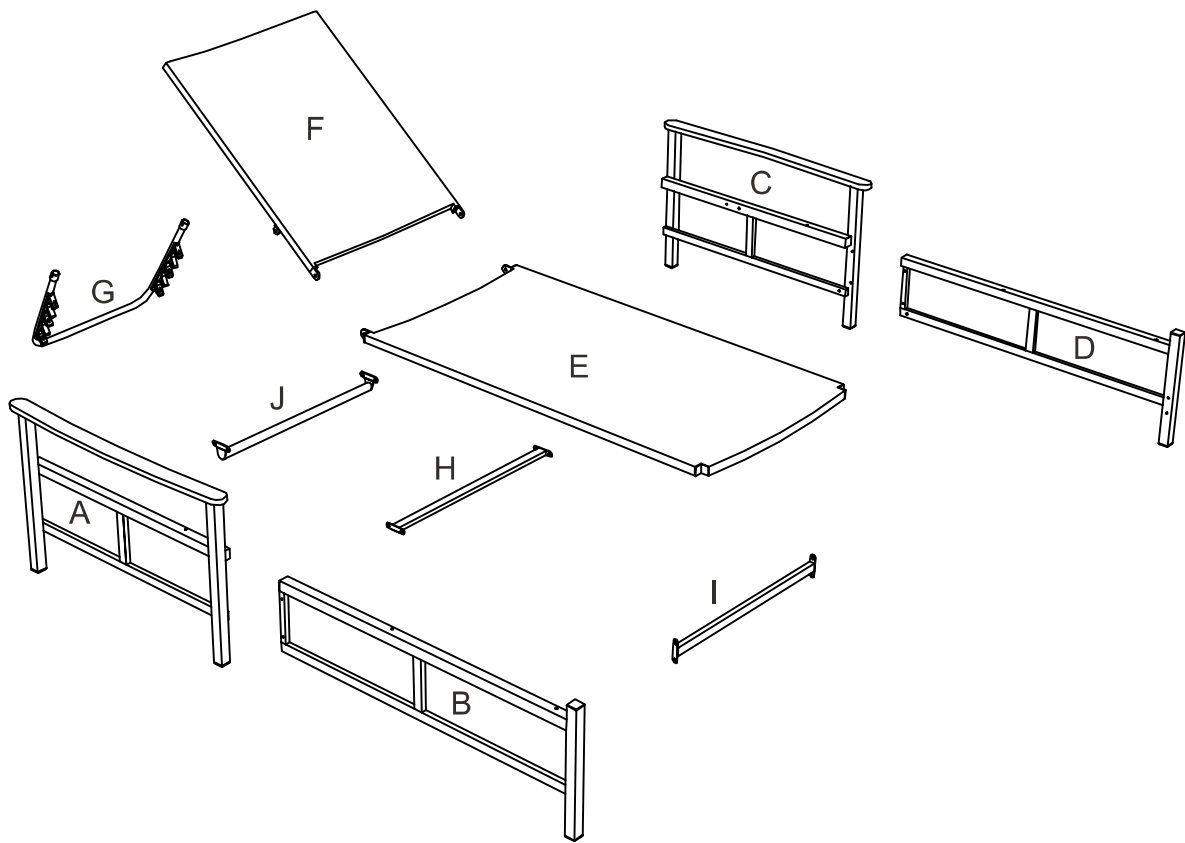
HARDWARE LIST:

 <p>Short Bolt (K) QTY 18</p>	 <p>Medium Bolt (L) QTY 2</p>	 <p>Long Bolt (M) QTY 6</p>
 <p>Nut (N) QTY 4</p>	 <p>Washer (O) QTY 30</p>	 <p>Plastic Washer (P) QTY 4</p>

TOOLS REQUIRED:



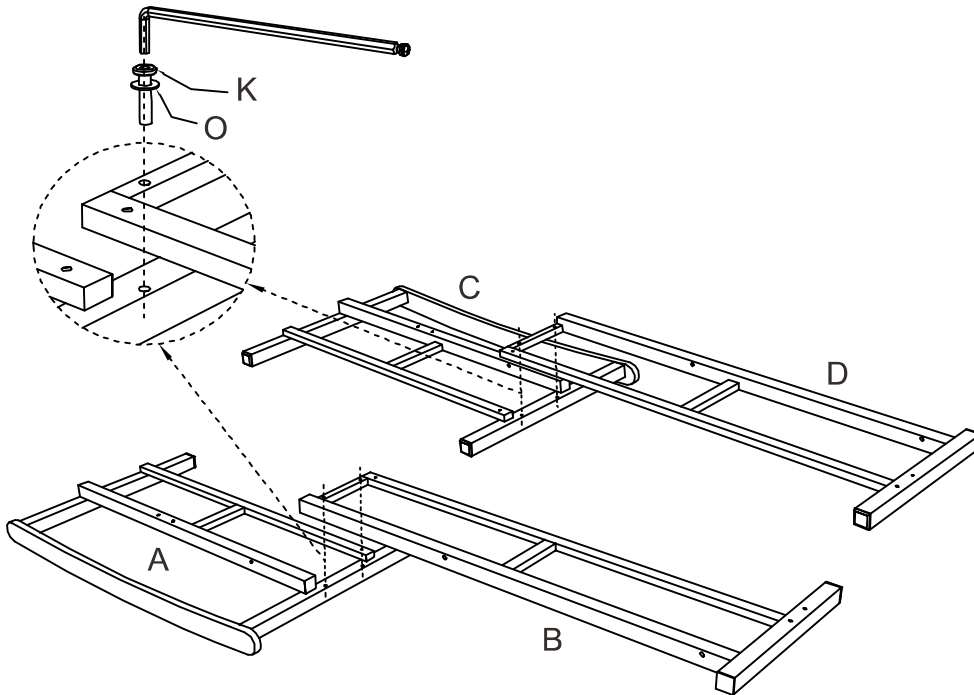
STRUCTURAL DIAGRAM:



STEP BY STEP ASSEMBLY:

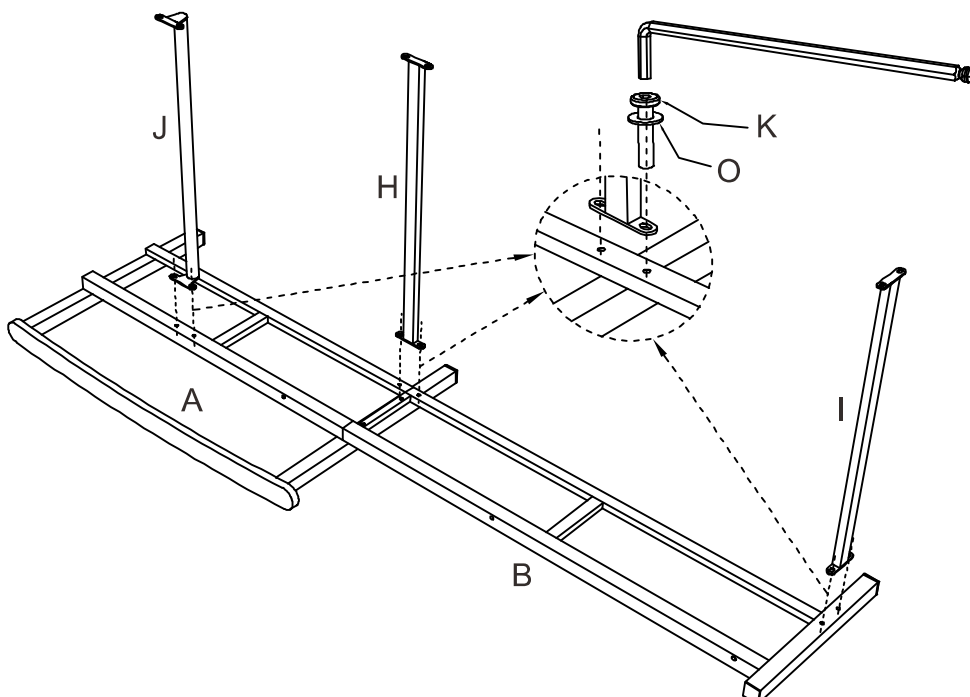
- 1 Step 1. Attach left side panel (part B) to left arm panel (part A) using short bolts (part K), washers (part O), and allen wrench. Repeat this step on the right side panels.

NOTE: Please do not fully tighten bolts until unit is fully assembled.



- 2 Step 2. Attach long bar (part H), short bar (part I) and backrest bar (part J) to left arm panel (part A) and left side panel (part B) using short bolts (part K), washers (part O) and allen wrench.

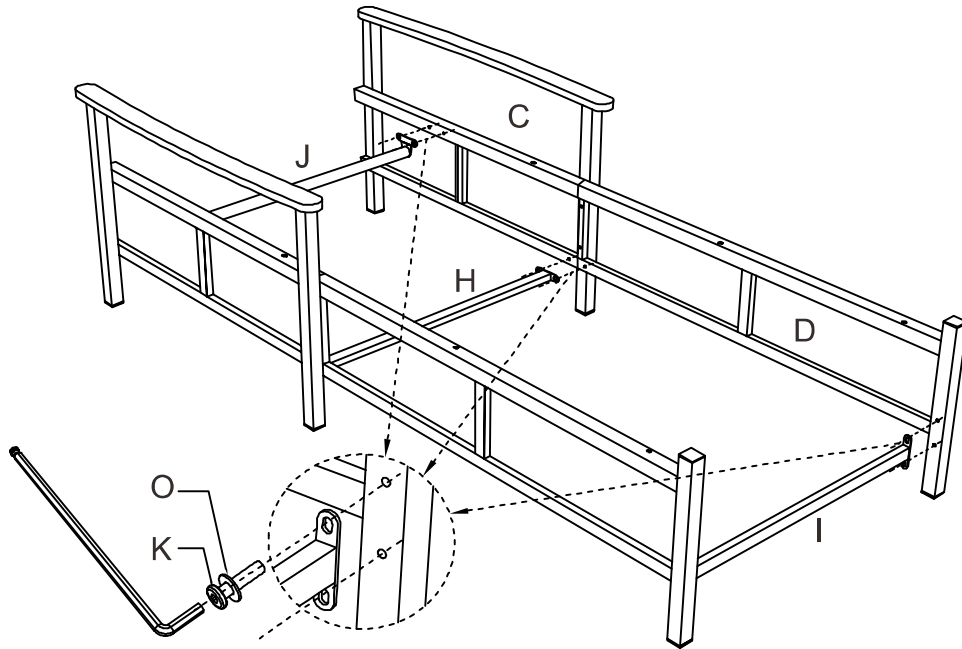
NOTE: Please do not fully tighten bolts until unit is fully assembled.



STEP BY STEP ASSEMBLY:

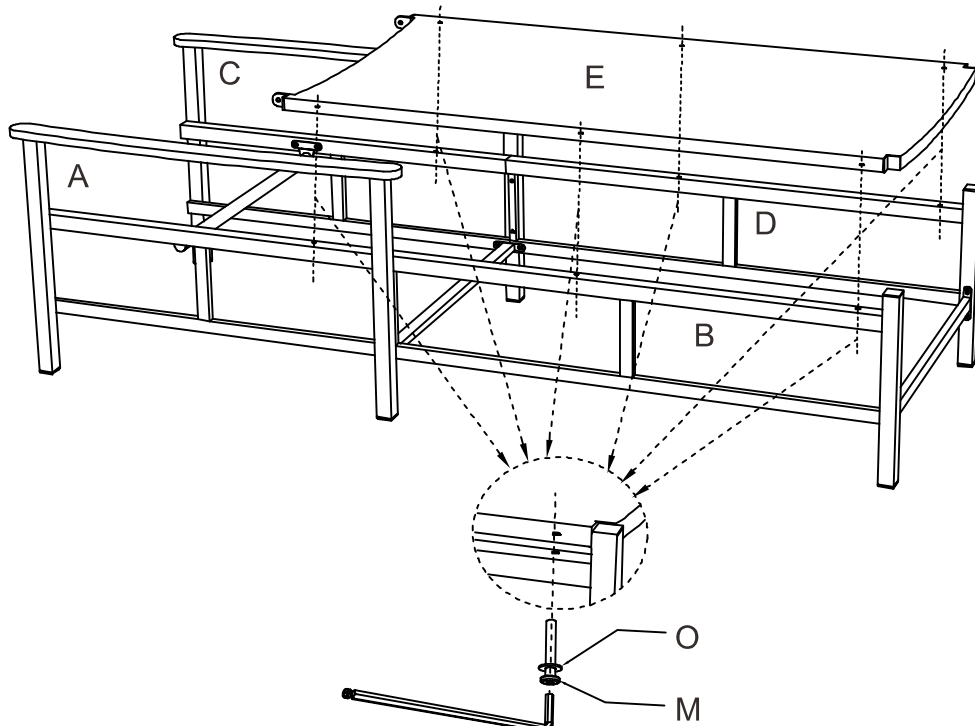
- 3** Step 3. Attach right arm panel (part C) and right side panel (part D) to long bar (part H), short bar (part I) and backrest bar (part J) using short bolts (part K), washers (part O) and allen wrench.

NOTE: Please do not fully tighten bolts until unit is fully assembled.



- 4** Step 4. Attach seat panel (part E) to units (parts A, B, C & D) using long bolts (part M), washers (part O) and allen wrench.

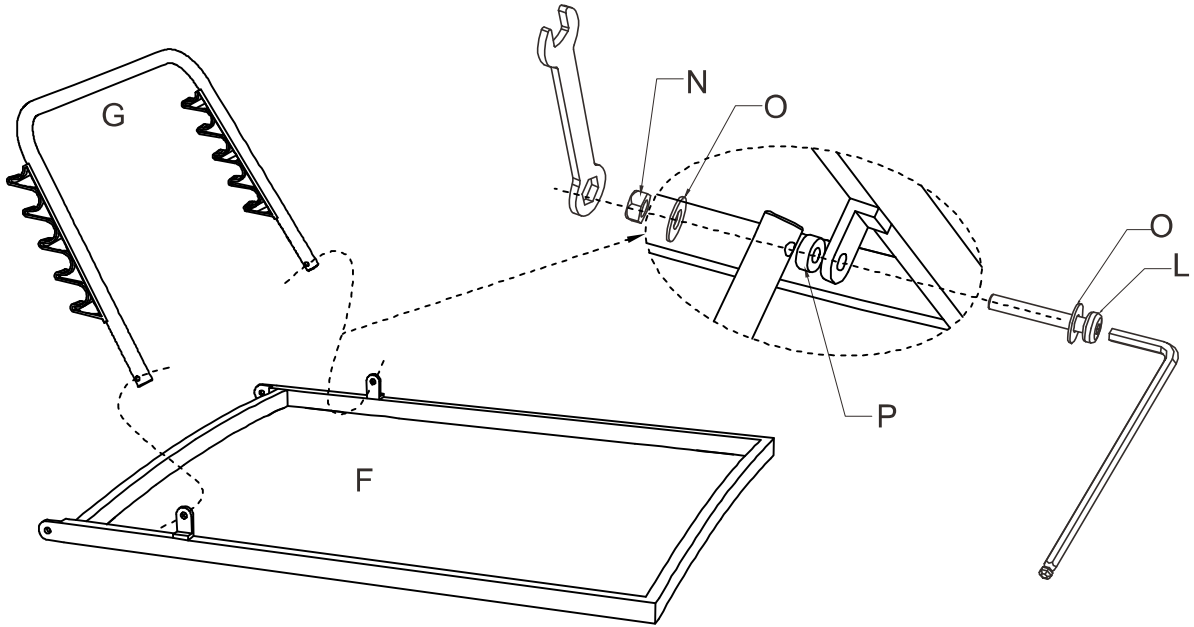
NOTE: Please do not fully tighten bolts until unit is fully assembled.



STEP BY STEP ASSEMBLY:

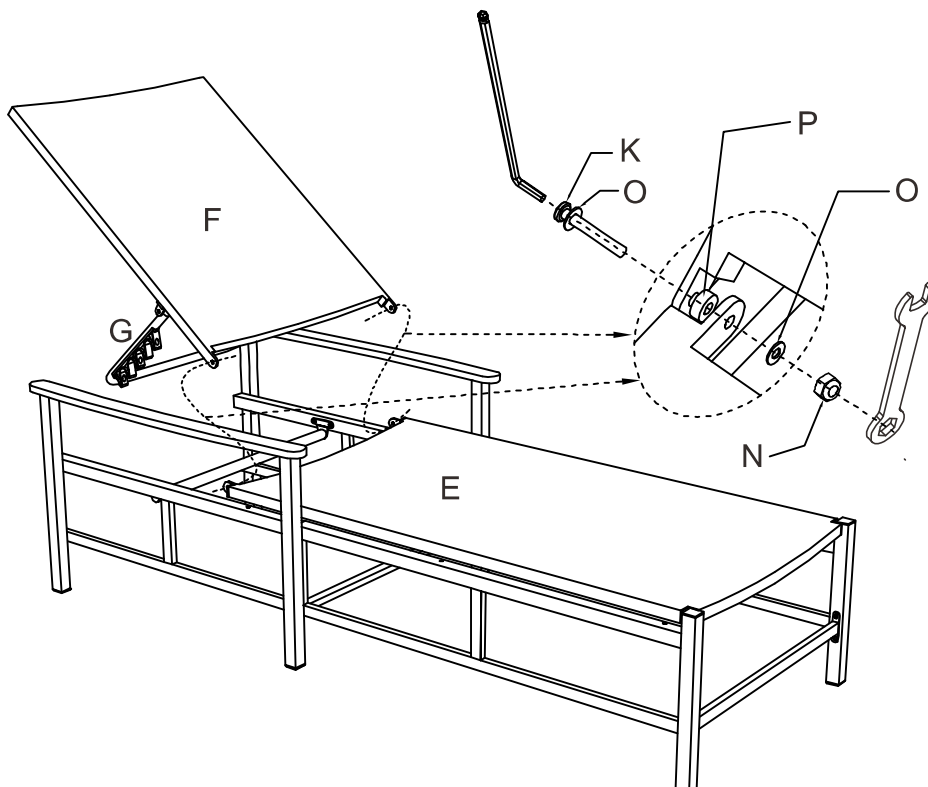
- 5** Step 5. Lay the backrest panel (part F) down on a soft flat surface, attach U bar (part G) to backrest panel (part F) using medium bolts (part L), washers (part O), plastic washers (part P), nuts (part N), allen wrench and wrench.

NOTE: Please do not fully tighten bolts until unit is fully assembled.



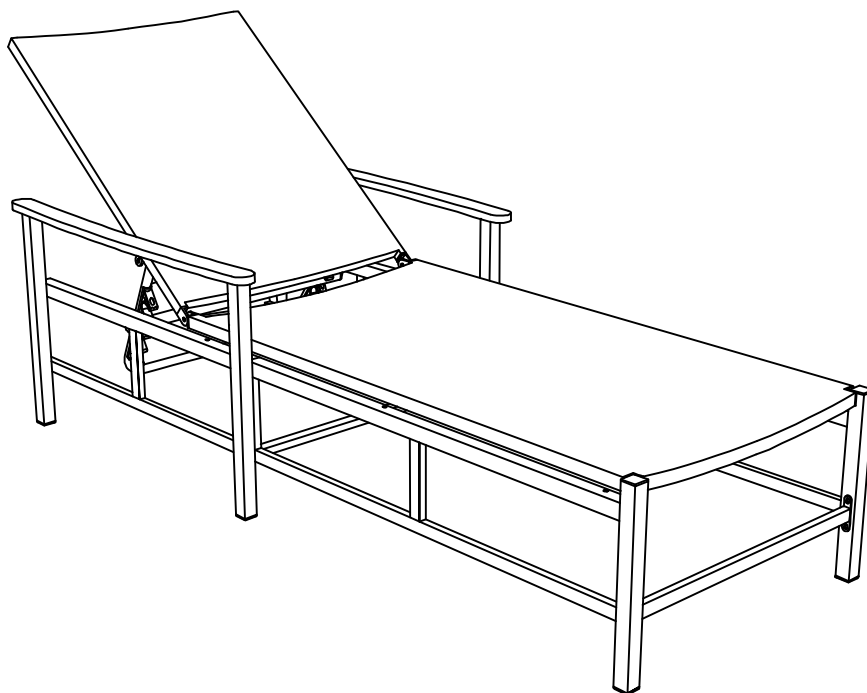
- 6** Step 6. Attach units (parts F & G) to seat panel (part E) using short bolts (part K), washers (part O), plastic washers (part P), nuts (part N), allen wrench and wrench.

NOTE: Please fully tighten all bolts at this time.

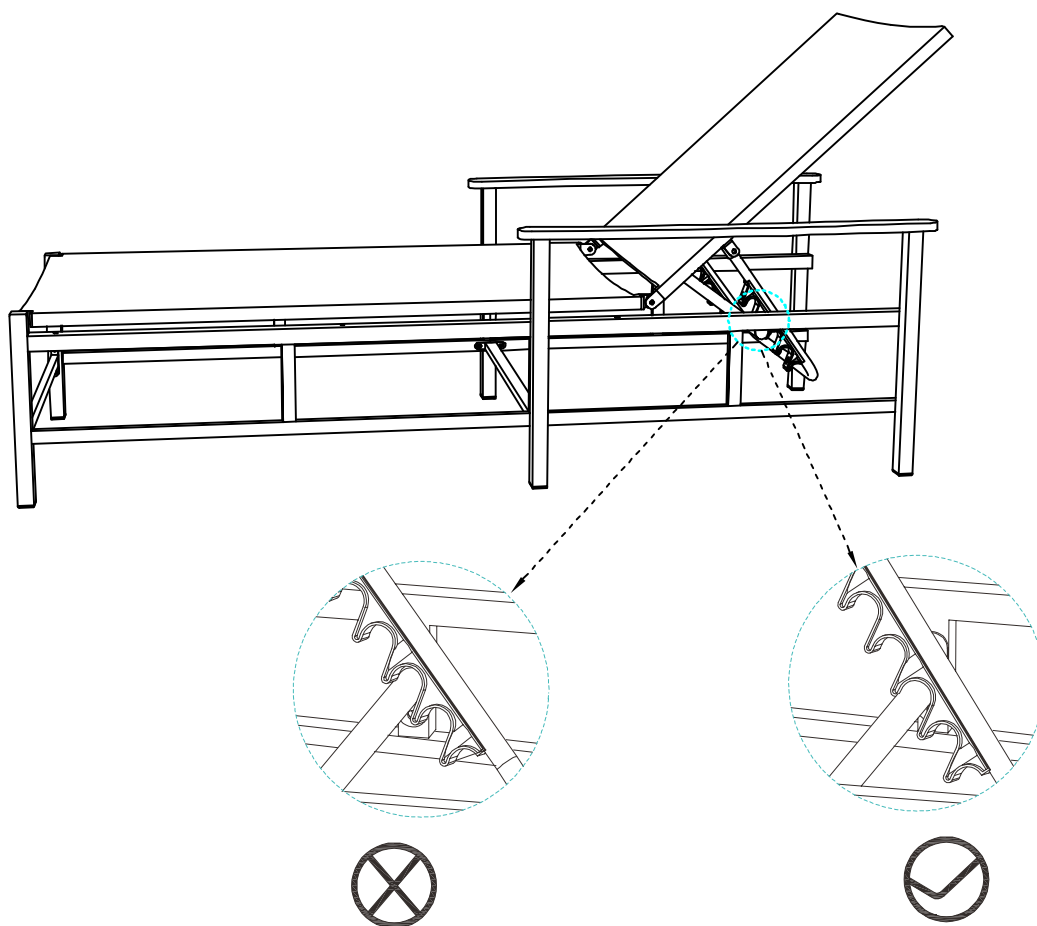


STEP BY STEP ASSEMBLY:

- 7** Step 7. Carefully turn the assembled chaise lounge upright on a flat surface.



- 8** WARNING: Before using please make sure the position is stuck fully with the bar.





For assistance with assembly, please contact customer service

1-888-880-4884