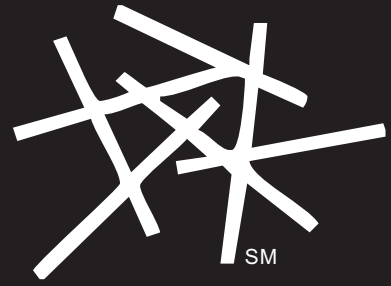
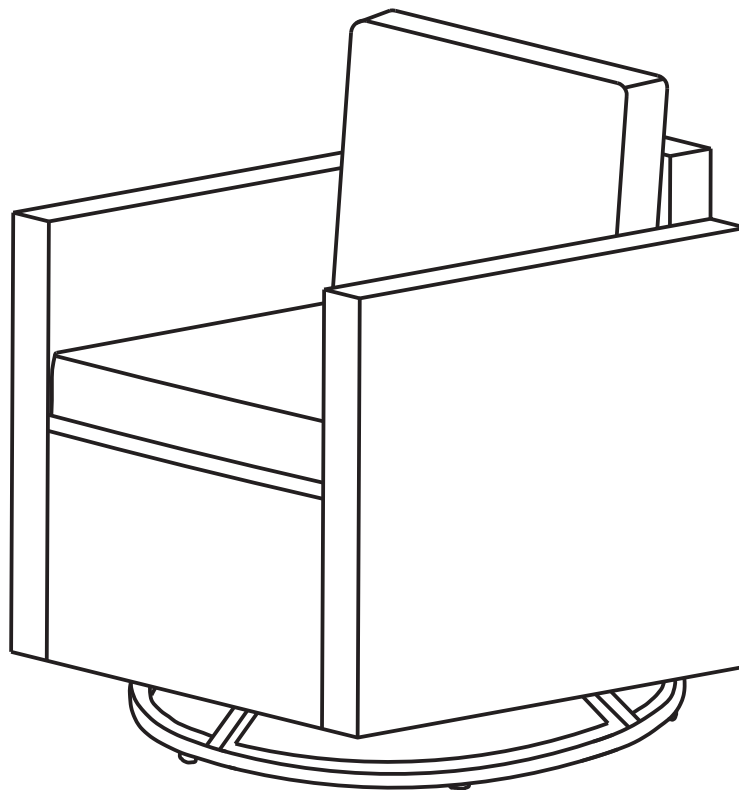


hayneedle



ITEM NAME: Coral Coast Wicker Outdoor Wicker Swivel Chair

SKU: CRY514-1



For assistance, please contact

Hayneedle Customer Care Center

1-888-880-4884

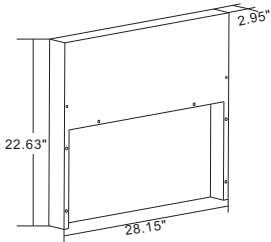
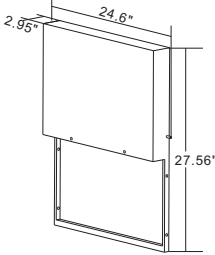
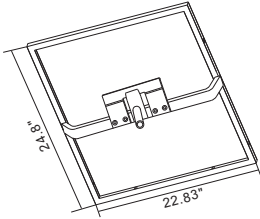
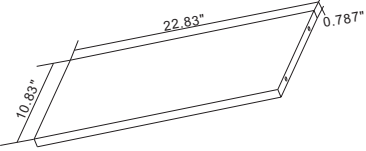
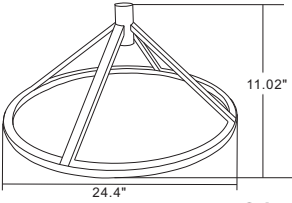
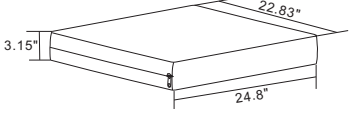
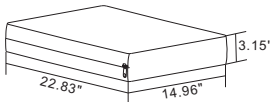
PRE-ASSEMBLY PREPARATION:



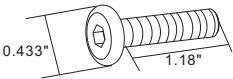
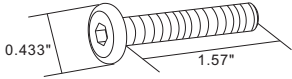
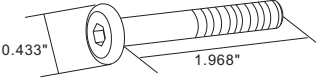
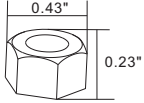
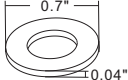
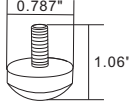
THIS PACKAGE MAY CONTAIN SMALL ITEMS WHICH SHOULD BE KEPT AWAY FROM CHILDREN

- Please check that all parts and hardware are included before beginning assembly.
- Save all packing materials until assembly is complete to avoid accidentally discarding smaller parts or hardware.
- Read through the preparation and assembly instructions in full before beginning assembly.
- Please use CAUTION AND CARE WHEN LIFTING the product to avoid personal injury and (or) damage to the product.
- For ease of assembly: two adults are recommended.

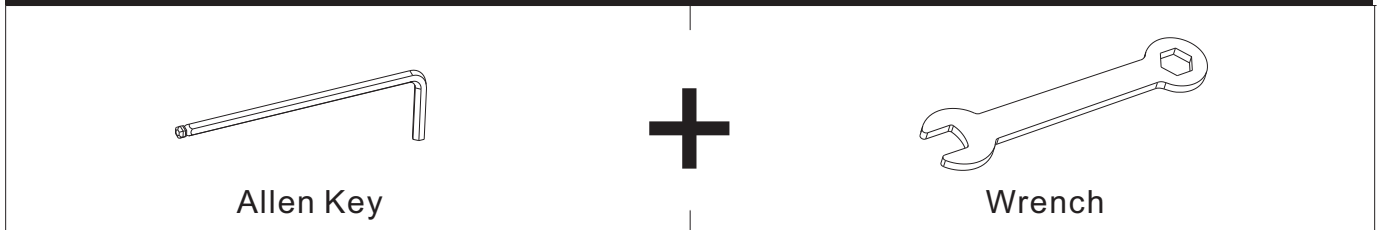
PANEL AND FITTINGS IDENTIFICATION:

 <p>Arm Panel(A) Q'TY 2</p>	 <p>Back Panel(B) Q'TY 1</p>	 <p>Seat Panel(C) Q'TY 1</p>
 <p>Lower Front Panel(D) Q'TY 1</p>	 <p>Base(E) Q'TY 1</p>	 <p>Seat Cushion(F) Q'TY 1</p>
 <p>Back Cushion(G) Q'TY 1</p>		

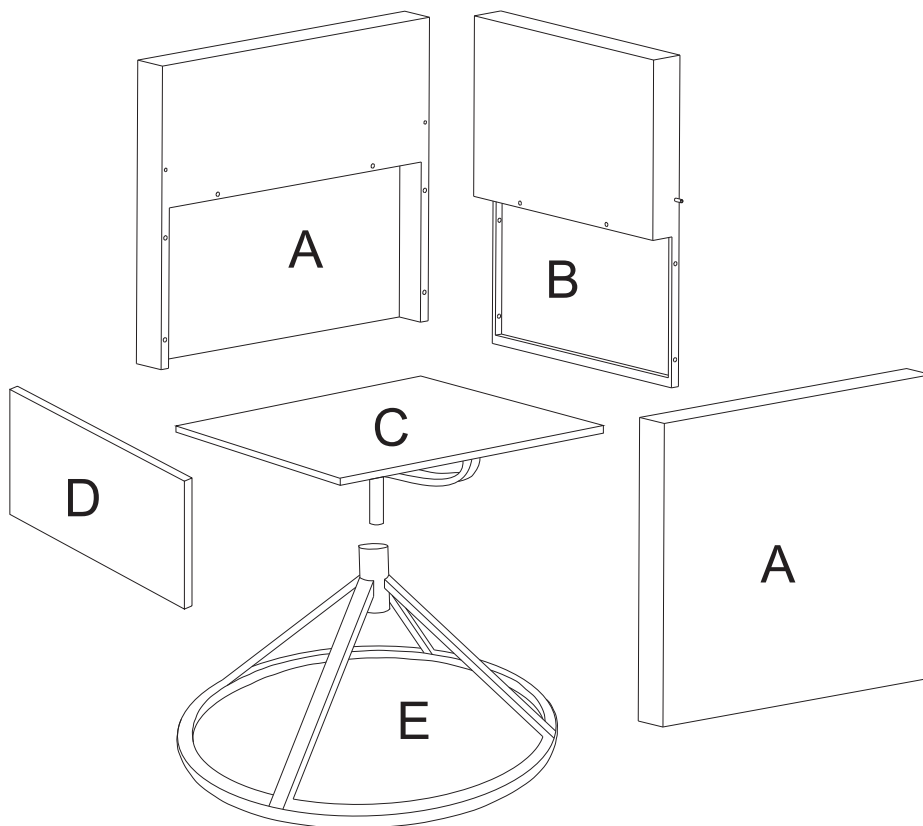
HARDWARE LIST:

 <p>Short Bolt(H) Q'TY 1</p>	 <p>Medium Bolt(I) Q'TY 4</p>	 <p>Long Bolt(J) Q'TY 10</p>
 <p>Nut(K) Q'TY 14</p>	 <p>Washer(L) Q'TY 29</p>	 <p>Adjustable Leveler(O) Q'TY 6</p>

TOOLS REQUIRED:



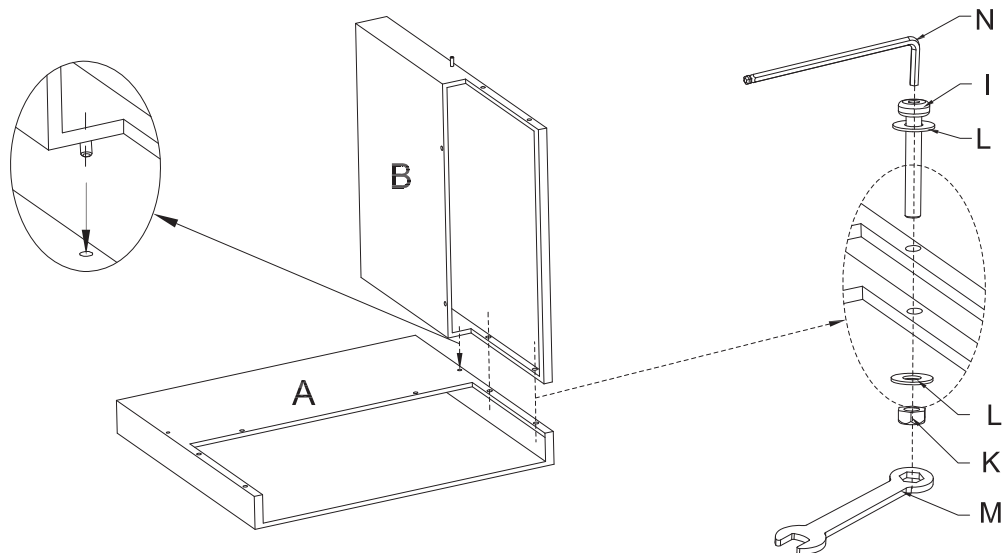
STRUCTURAL DIAGRAM:



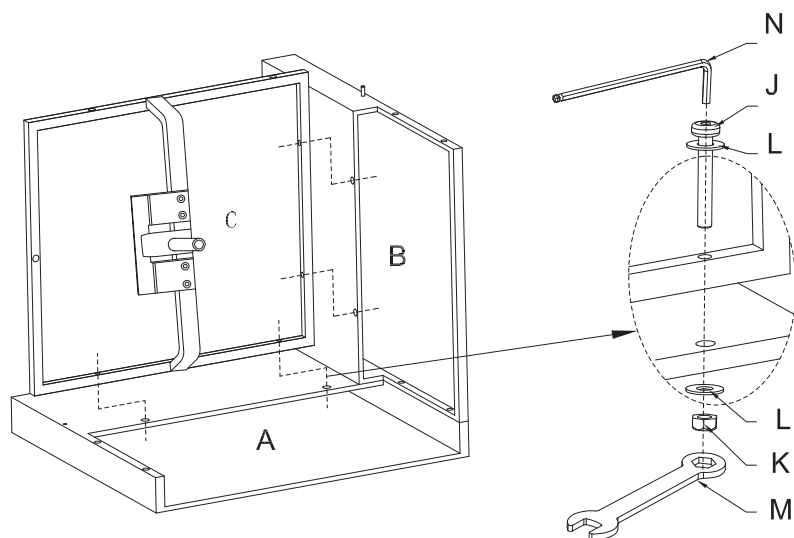
STEP BY STEP ASSEMBLY:

- 1 Step 1. Lay Arm Panel (A) down on a flat surface. Attach Back Panel (B) to Arm Panel (A) using the Medium Bolts (I), Washers (L), Nuts (K), Wrench (M) & Allen Key (N).

NOTE: Please do not fully tighten bolts until unit is fully assembled.

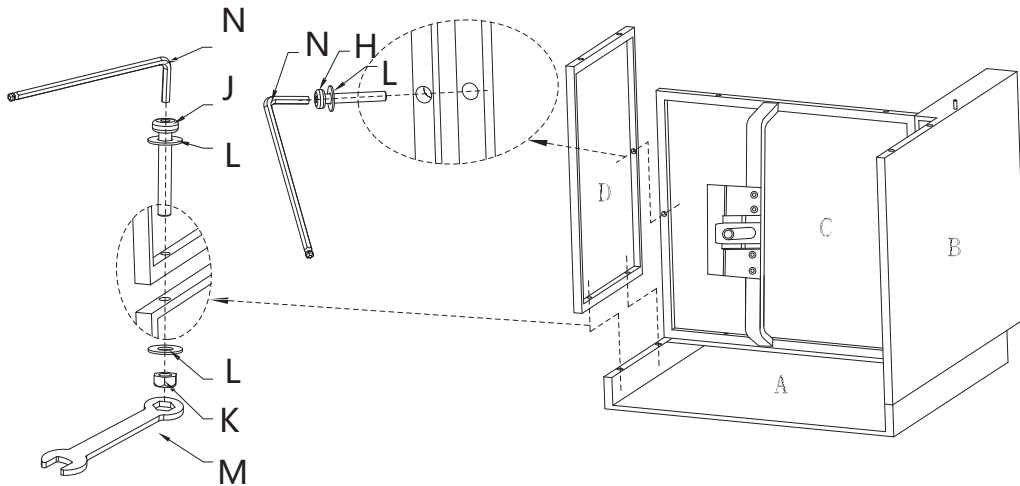


- 2 Step 2. Attach Seat Panel (C) to Arm Panel (A) and Back Panel (B) using the Long Bolts (J), Washers (L), Nuts (K), Wrench (M) & Allen Key (K).

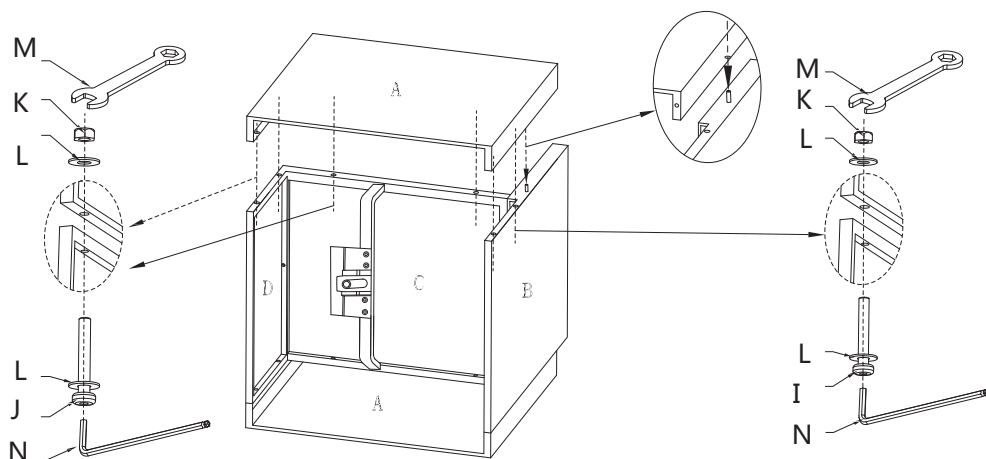


STEP BY STEP ASSEMBLY:

- 3** Step 3. Attach Lower Front Panel (D) to Arm Panel (A) using the Long Bolts(J), Washers (L), Nuts(K), Allen Key (N) & Wrench (M), to Seat Panel (C) using Short Bolts (H), Washers (L) & Allen Key (N).

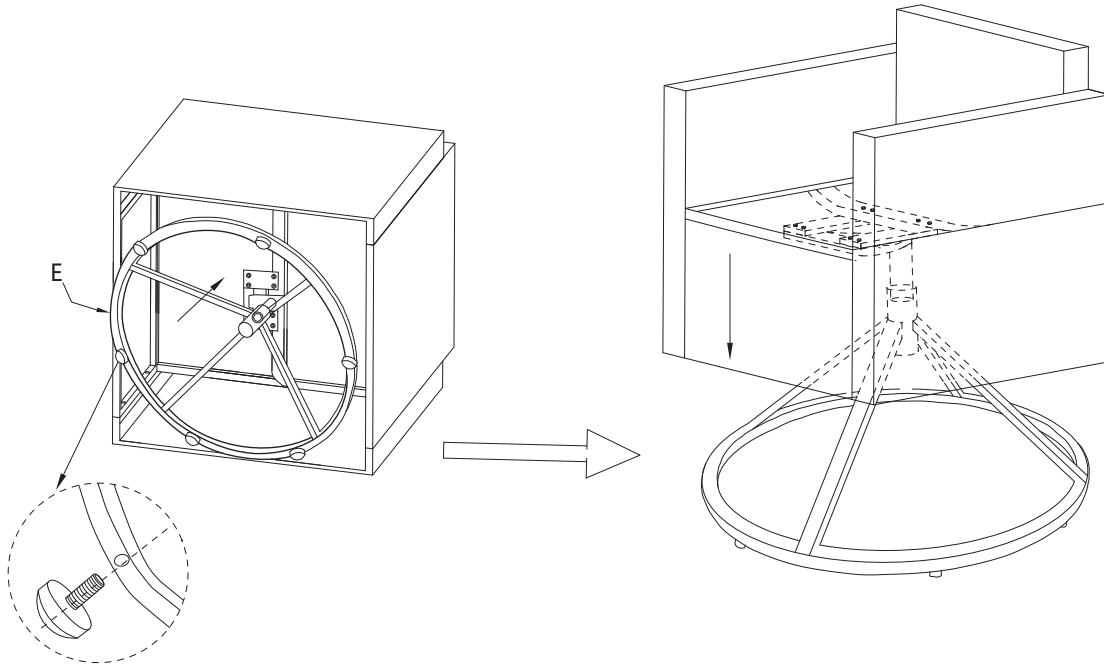


- 4** Step 4. Attach the other Arm panel(A) to the assembled Parts (A,B,C&D) using Medium Bolts (I), Long Bolts (J), Washers (L), Nuts (K), Wrench (M) and Allen Key (N) as shown.

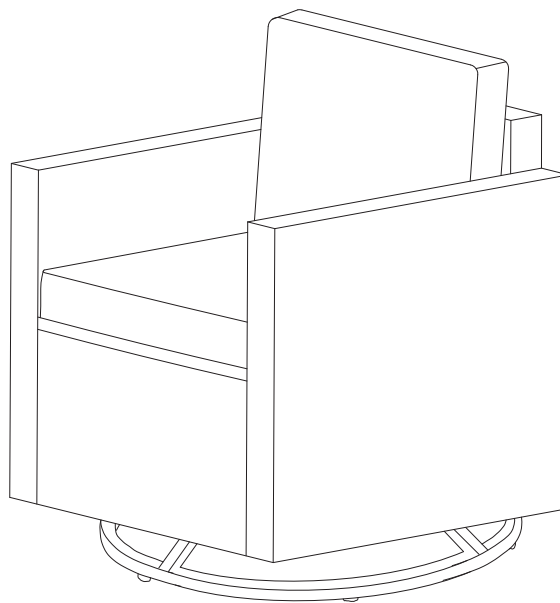


STEP BY STEP ASSEMBLY:

- 5** Step 5. Screw the Adjustable Levelers (O) into the pre-drilled holes on the Base (E). Attach Base (E) to the Seat Panel(C).



- 6** Step 6. Place Seat Cushion and Back Cushion on the Chair





For assistance with assembly, please contact customer service

1-888-880-4884