

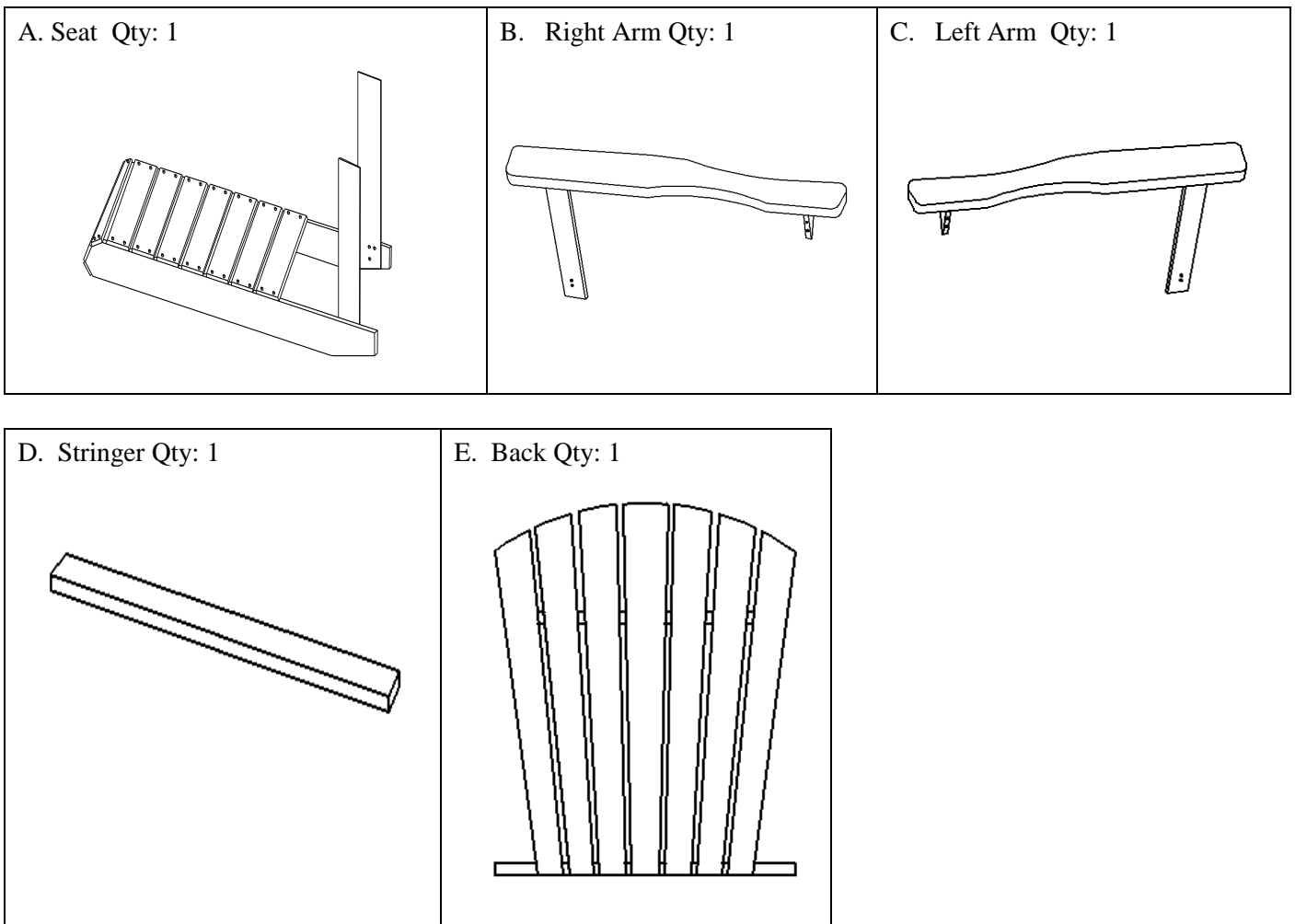
Adirondack Chair C01



C.R. Plastic Products
533 Romeo Street South
Stratford Ontario N5A 4V3
Toll Free: 800-490-1283
Fax: 519-271-8544
Web Site crpproducts.com

Issued: April 11/12

PARTS LIST:



HARDWARE LIST:

1. Screws Qty: 20

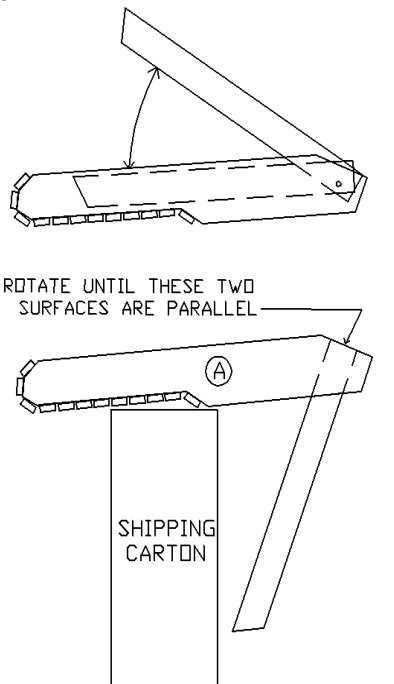
Note:

- Read these instructions carefully before assembling.
- Tools required: # 2 Phillips or #2 Robertson bit and power drill.
- Find a clean, smooth area on which to work, such as a carpet, in order to avoid scratching the plastic surfaces.
- Use fully assembled shipping carton as a work surface.
- Wait to dispose of the packing material until assembly is complete and all parts and hardware are accounted for.
- Two people might be required for assembly.

Step 1: Set the Seat and Back legs (A) on the shipping carton with the seat facing down. Using factory installed screw as a pivot spin the back legs out and downwards until the bottom edges are flush or parallel to the long angled cut. Put 2 screws in each leg using the counter sunk holes provided. (Ignore the peck marks in the back legs).

Figure 1

Item	Drawing	Qty
1	Seat Assy. (A)	1
2	Screws	4

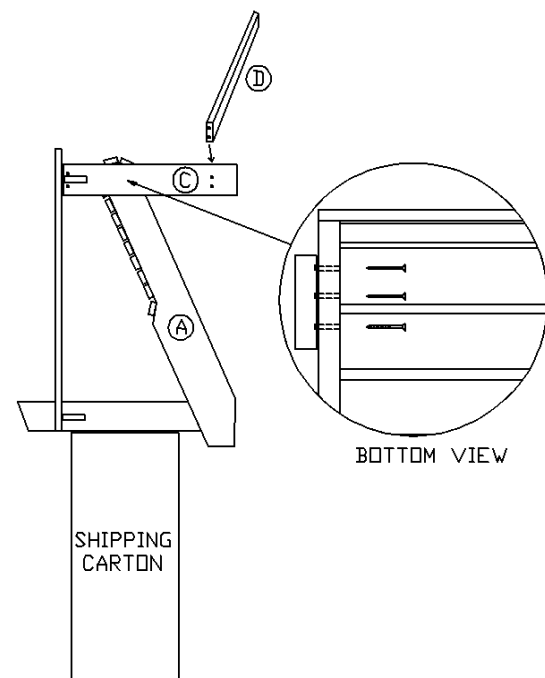


Step 2: Set the Seat (A) on the shipping carton as shown. Take the Right Arm (C), and line up the peck marks on the inside of the front legs to the 2 pilots in the Seat (A) side that are the closest to the front of the chair and to the seat of the chair (see Bottom View). Use 2 screws placed under the seat facing outwards. Secure Arm (C) to the Seat (A) with the 2 screws that you placed under the Seat (the third hole does not line up to a peck mark, secure a screw through the third hole last). Repeat for Left Arm (C).

Step 3: Attach the Stringer (D) between the two front legs with 4 screws using the peck holes for alignment.

Figure 2

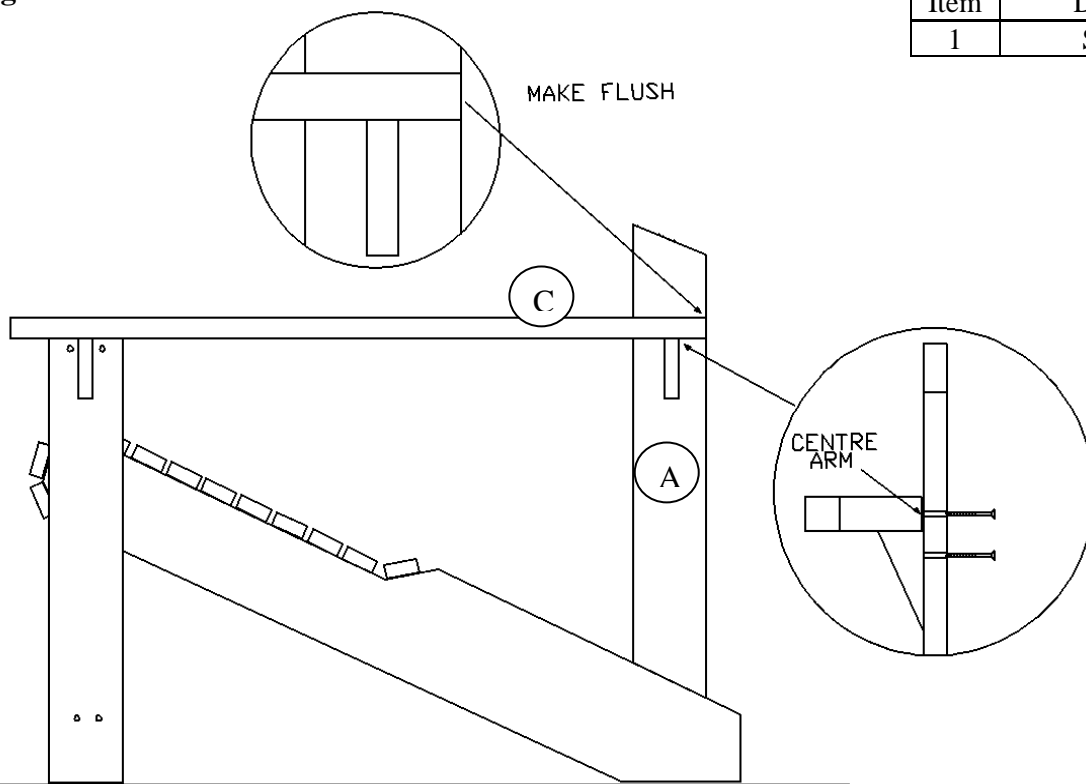
Item	Drawing	Qty
1	Right Arm Assy. (B)	1
2	Left Arm Assy. (C)	1
3	Stringer (D)	1
4	Screws	10



Step 4: Stand the assembled Seat on its legs and secure the Arm (C) to the Back Leg (A) using the upper 2 holes on the Back Leg (the back edge of the arm should be flush with the edge of the Back Leg and centered on the Arm). Now place a screw into the third hole on the Back Leg (A) to fasten the small block on the back of Arm (C) to the Back Leg (A). Repeat for Right Arm B

Figure 3

Item	Drawing	Qty
1	Screws	6



Step 5: Place Back (E) onto the back of the Seat assembly, resting it on top of the Back Legs (A) Place a screw through the bottom Seat Back Support into the side rail of the Seat (line up the screw with the peck hole in the rail fig. X). Repeat for other side then fasten final 2 screws. Line up the back edge of the Top Brace with the back edge of the back leg fig. Y. Place a screw in the pilot hole; center and keep the back edge flush with the leg and fasten. Repeat for other side then fasten final 2 screws.

Figure 4

Item	Drawing	Qty
1	Back Assy. (E)	1
2	Screws	8

