

---

## ASSEMBLY INSTRU



ASSEMBLY INSTRUCTION

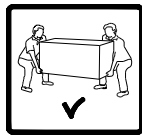
ASSEMBLY TIPS:

- 1.Remove hardware from box and sort by size.
- 2.Please check to see that all hardware and parts are present prior to start of assembly.
- 3.Please follow attached instructions in the same sequence as numbered to assure fast & easy assembly.



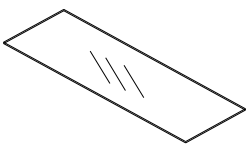
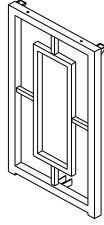
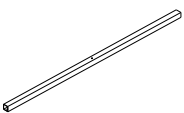
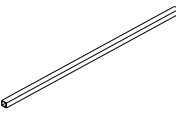
**Warning!!**

- 1.Don't attempt to repair or modify parts that are broken or defective. Please contact the store immediately.
- 2.This product is for home use only and not intended for commercial establishment.

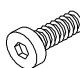

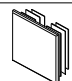
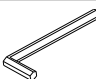


ASSEMBLY TIME PER UNIT: 30 MINUTES

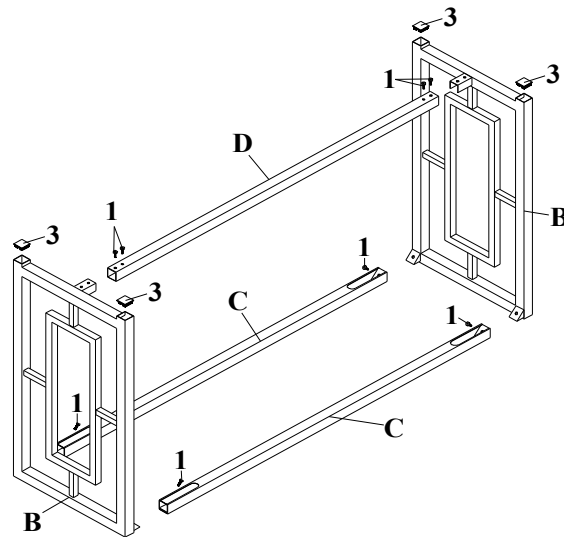
PARTS IDENTIFICATION

<p><b>A</b></p> <p><b>TOP GLASS</b></p>  <p><b>1PC</b></p>	<p><b>B</b></p> <p><b>SIDE FRAME</b></p>  <p><b>2PCS</b></p>
<p><b>C</b></p> <p><b>TOP CROSSBAR</b></p>  <p><b>2PCS</b></p>	<p><b>D</b></p> <p><b>BOTTOM CROSSBAR</b></p>  <p><b>1PC</b></p>

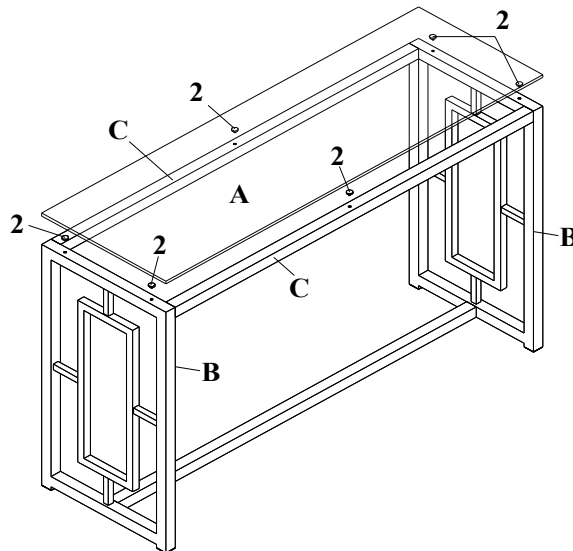
HARDWARE PACKAGE

Z	DESCRIPTION	FIGURE	Q'TY
1	BOLT (1/4"x15mm)		8PCS
2	SUCTION CUP (9mm)		6PCS
3	CAP (30x30mm)		4PCS
4	ALLEN WRENCH (4mm)		1PC

STEP 1



STEP 2



FINISH

