

**COASTER**<sup>®</sup>  
FINE FURNITURE

**900022**

**CEDAR CHEST**

**ASSEMBLY INSTRUCTIONS  
COASTER FINE FURNITURE**



**[www.coastercompany.com](http://www.coastercompany.com)**

**REVISION 0:03/17/2017  
REVISION 1:06/19/2018**

**ASSEMBLY TIPS:**

1. Remove hardware from box and sort by size.
2. Please check to see that all hardware and parts are present prior start of assembly.
3. Please follow attached instruction in the same sequence as numbered to assure fast & easy assembly.



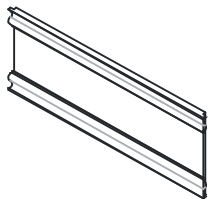
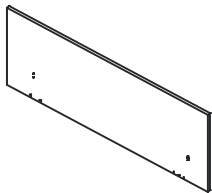
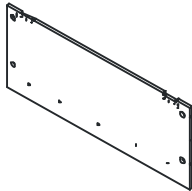

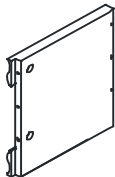

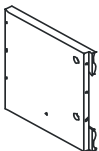

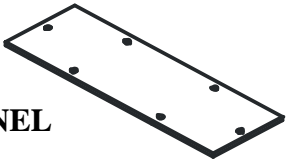
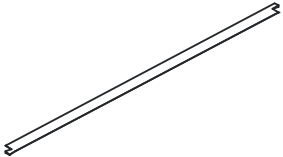
**Warning!**

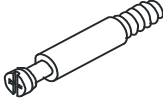





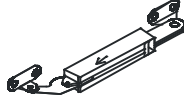

1. Don't attempt to repair or modify parts that are broken or defective. Please contact the store immediately.
2. This product is for home use only and not intended for commercial establishments.



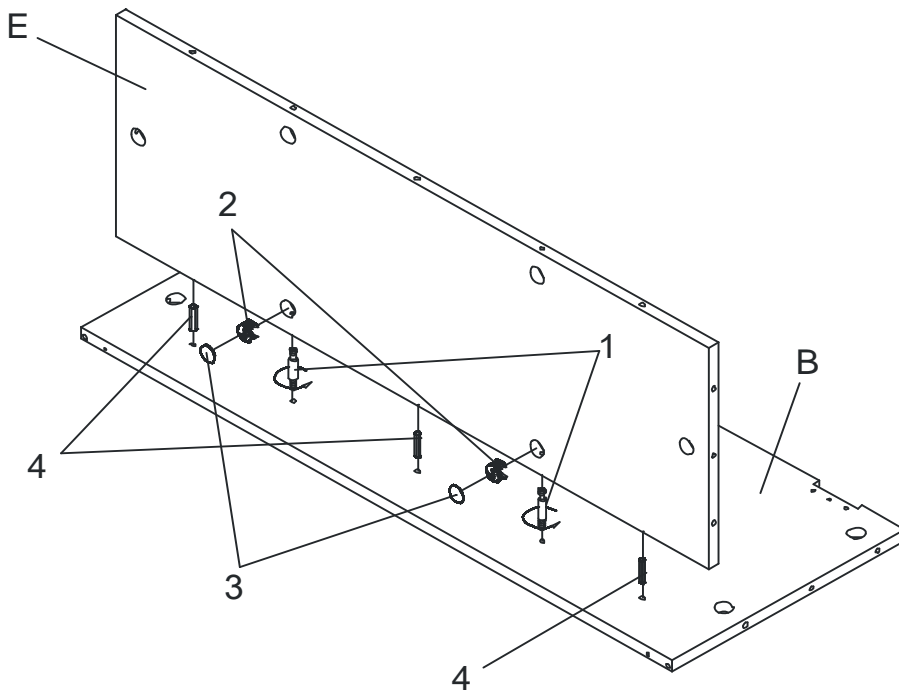
<b>ASSEMBLY TIME</b>	<b>30 MINUTES</b>
----------------------	-------------------

**PARTS IDENTIFICATION**

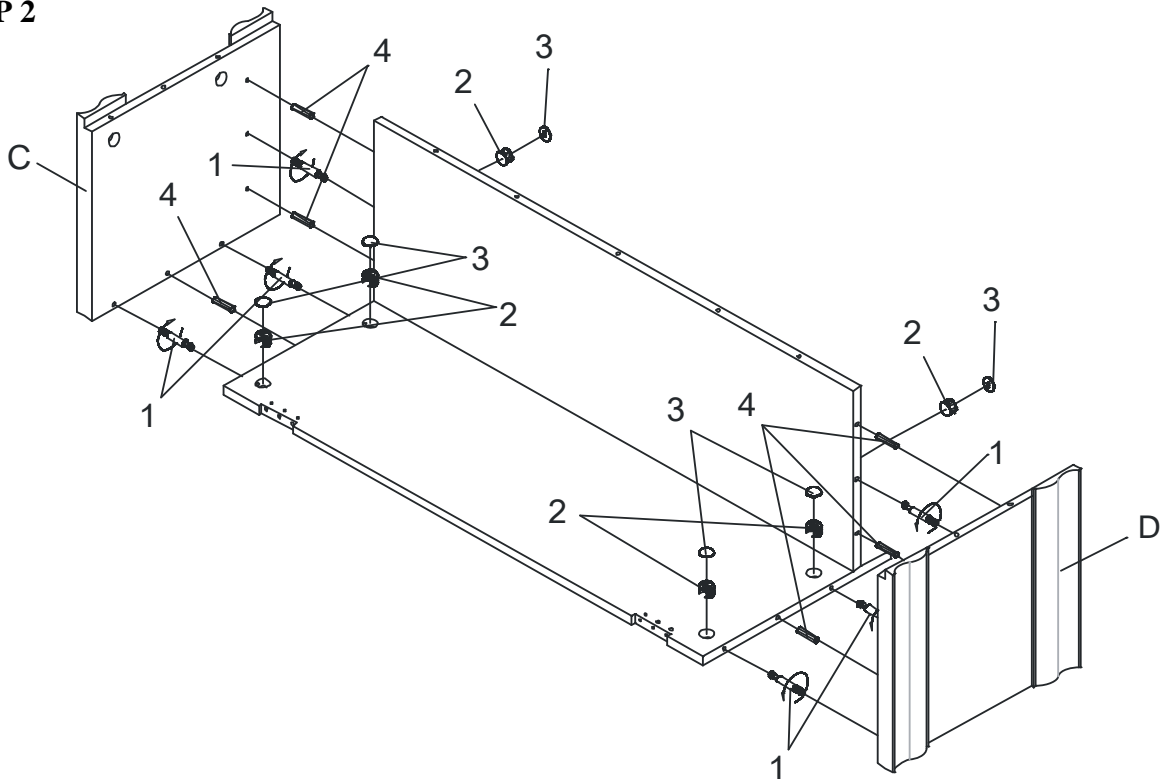
<p>(A) <b>FRONT PANEL</b></p>	 <p style="text-align: right;">1 PC</p>	<p>(F) <b>TOP PANEL</b></p>	 <p style="text-align: right;">1 PC</p>
<p>(B) <b>BACK PANEL</b></p>	 <p style="text-align: right;">1 PC</p>	<p>(G) <b>LGE</b></p>	 <p style="text-align: right;">4 PCS</p>
<p>(C) <b>LEFT SIDE</b></p>	 <p style="text-align: right;">1 PC</p>	<p>(H) <b>LEFT ADHESIVE FLANNELETTE</b></p>	 <p style="text-align: right;">1 PC</p>
<p>(D) <b>RIGHT SIDE</b></p>	 <p style="text-align: right;">1 PC</p>	<p>(I) <b>RIGHT ADHESIVE FLANNELETTE</b></p>	 <p style="text-align: right;">1 PC</p>
<p>(E) <b>BOTTOM PANEL</b></p>	 <p style="text-align: right;">1 PC</p>	<p>(J) <b>LONG ADHESIVE FLANNELETTE</b></p>	 <p style="text-align: right;">1 PC</p>

Z	HARDWARE IDENTIFICATION		
NO	HARDWARE NAME	FIGURE	Q' TY
1	CMA BOLT ϕ 7mm x 35mm		14 PCS
2	CAM LOCK ϕ 25mm x 11mm		14 PCS
3	CAM LOCK COVER ϕ 30mm x 10mm		14 PCS
4	WOOD DOWEL ϕ 8mm x 30mm		22 PCS
5	HINGE 76mm x 1.6mm		2 PCS
6	SCREW ϕ 6 mm x 1/2" - BLK		24 PCS
7	LID SUPPORT 160mm x 30mm x 16mm		2 PCS
8	SCREW ϕ 7mm x 1-1/8" - RBW		8 PCS

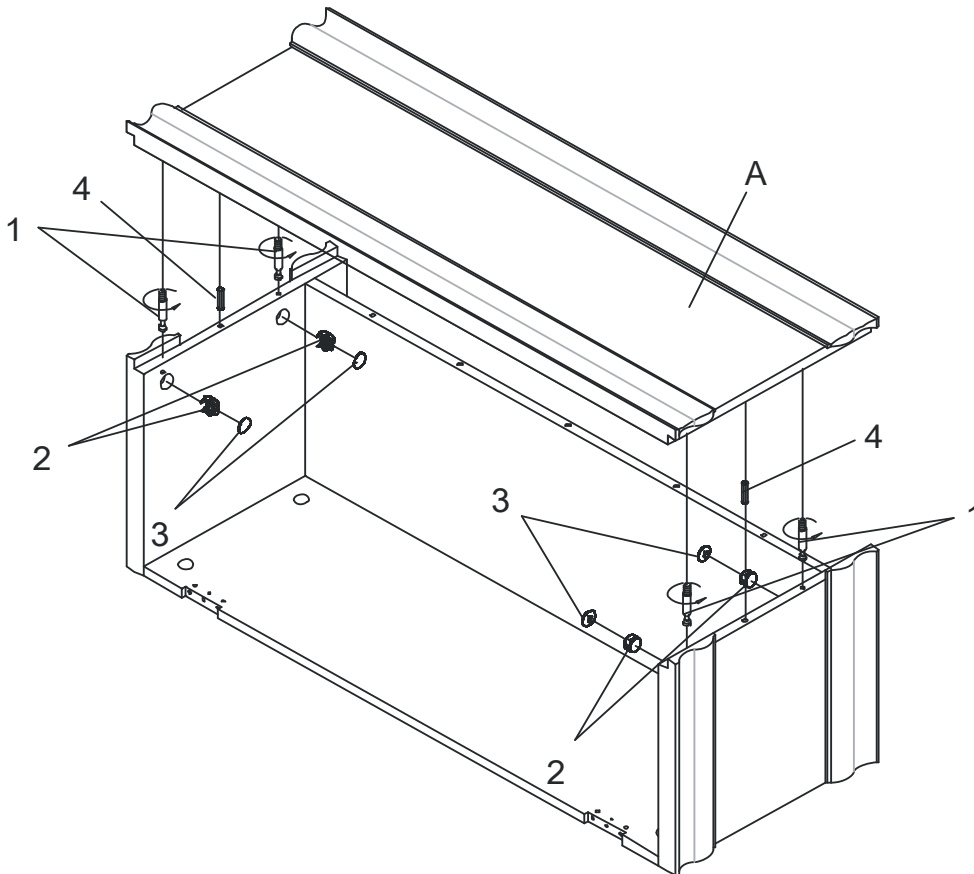
STEP 1



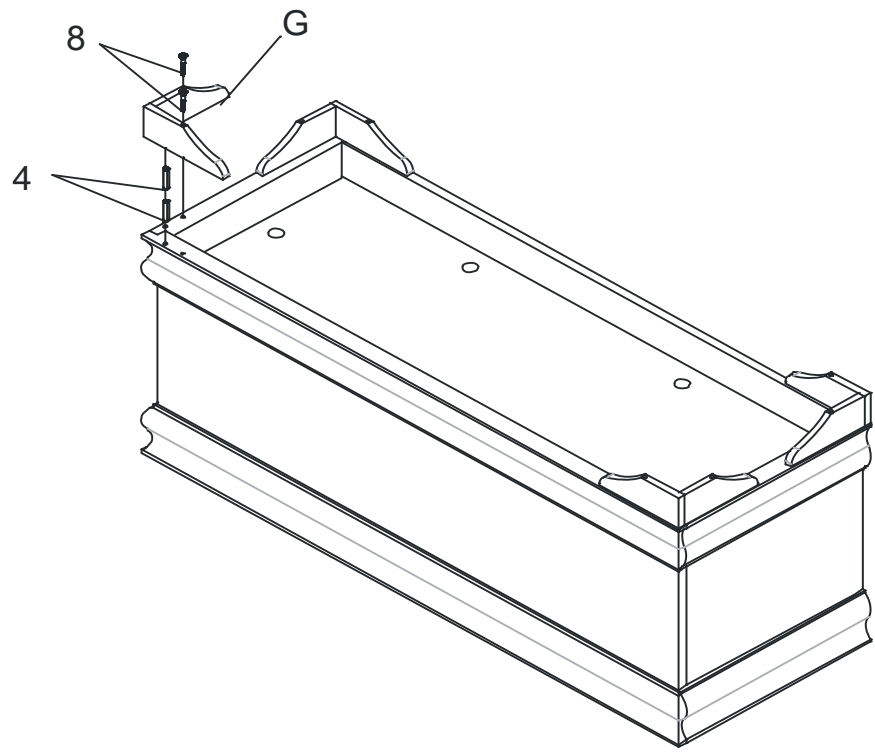
STEP 2



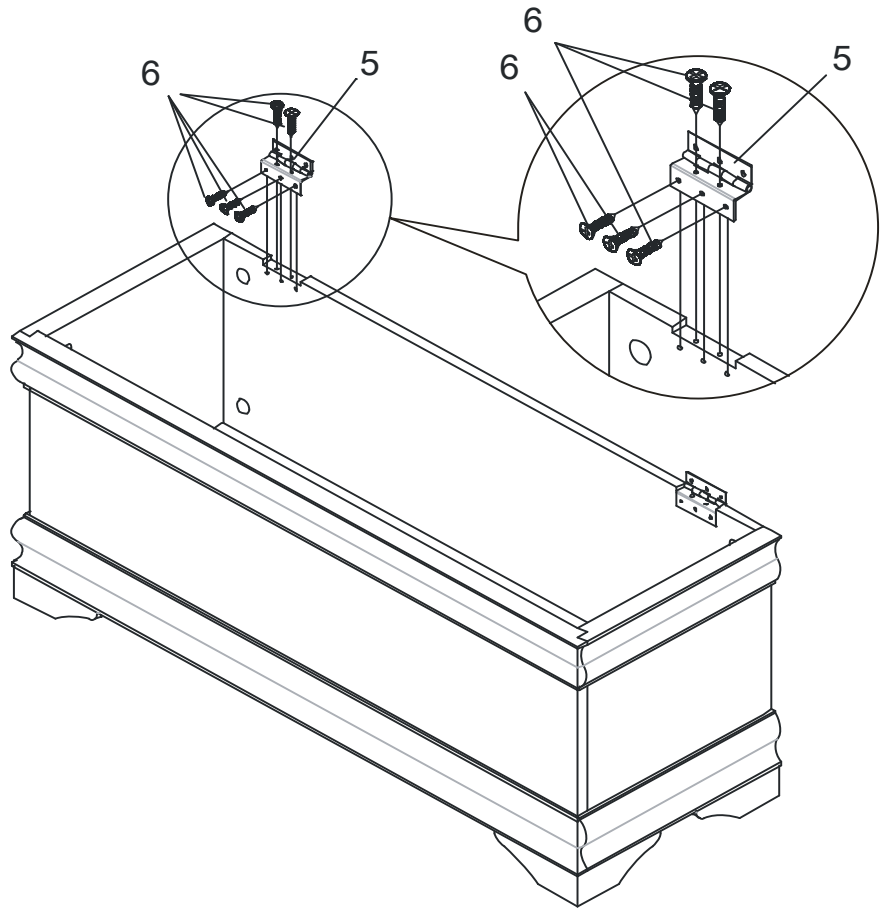
STEP 3



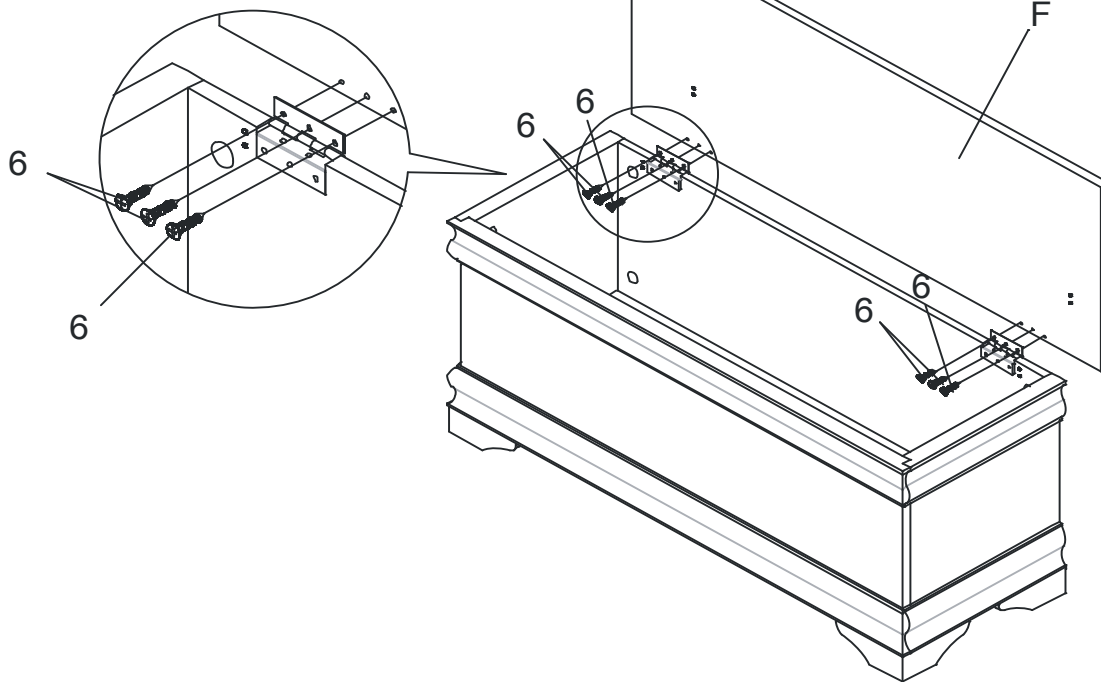
STEP 4



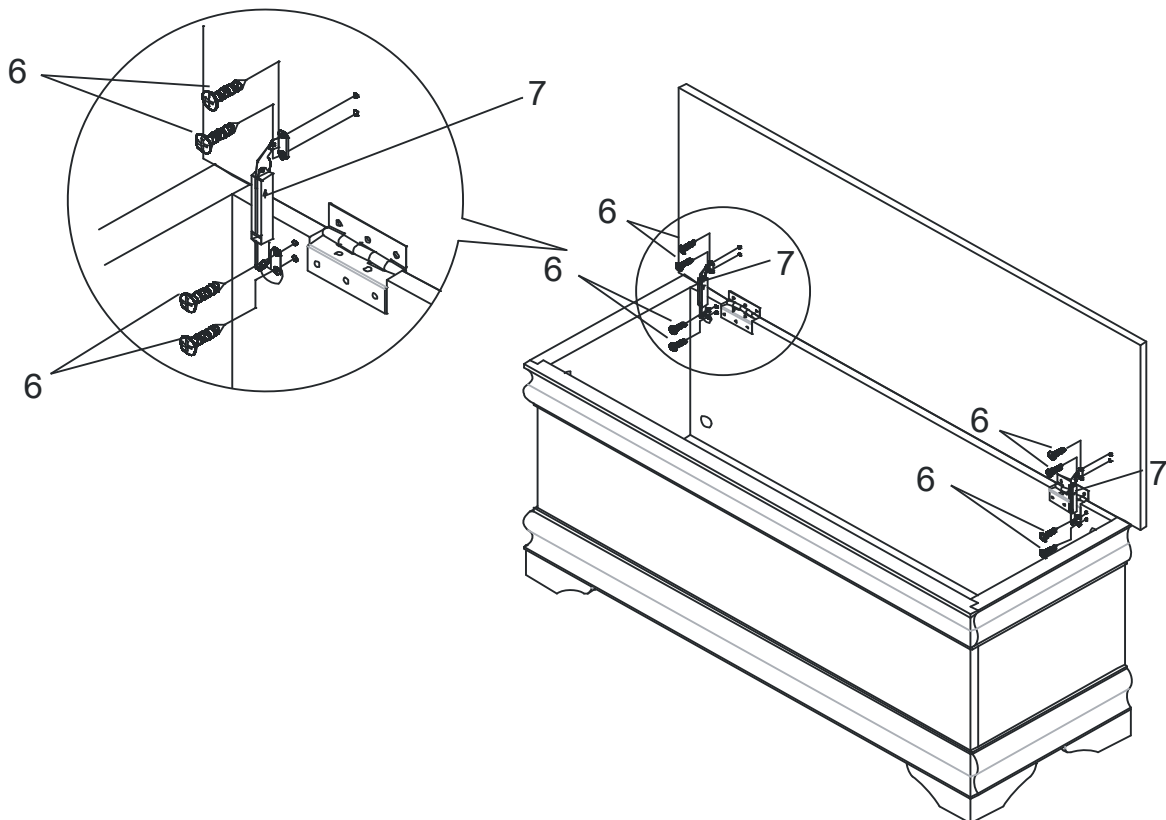
STEP 5



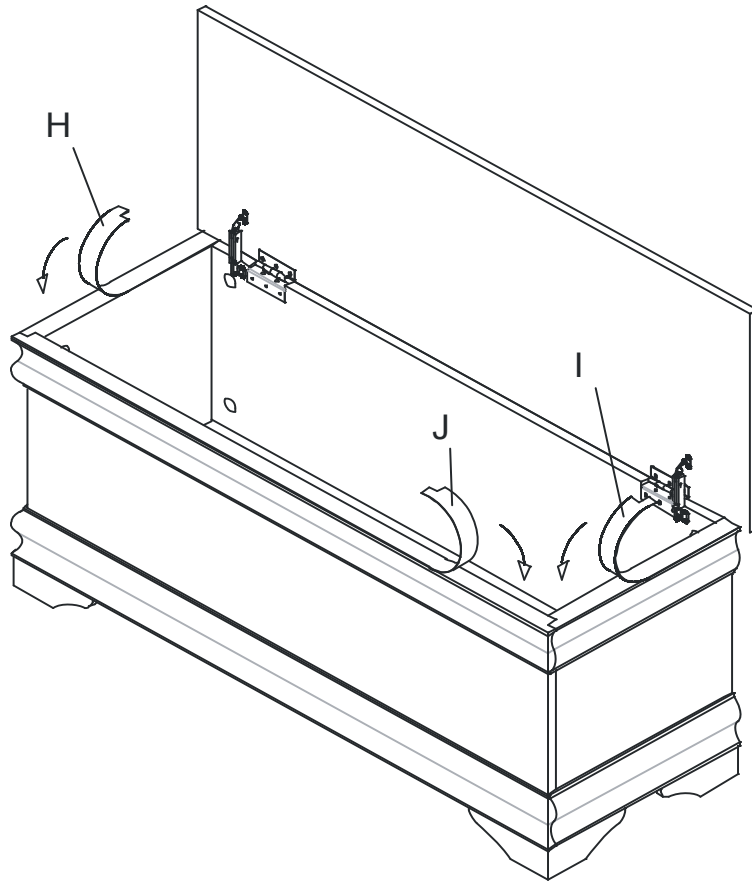
STEP 6



STEP 7



STEP 8



FINISH

