

CURIO CABINET

ASSEMBLY INSTRUCTIONS



www.coastercompa

ASSEMBLY INSTRUCTION

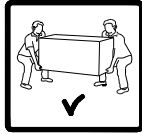
ASSEMBLY TIPS:

- 1.Remove hardware from box and sort by size.
- 2.Please check to see that all hardware and parts are present prior to start of assembly.
- 3.Please follow attached instructions in the same sequence as numbered to assure fast & easy assembly.



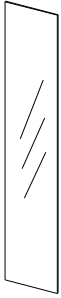
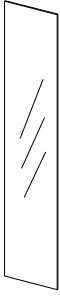
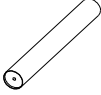

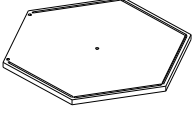
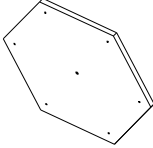
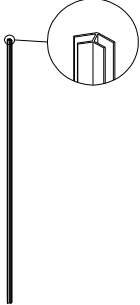
Warning!!

- 1.Don't attempt to repair or modify parts that are broken or defective. Please contact the store immediately.
- 2.This product is for home use only and not intended for commercial establishment.


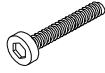









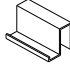
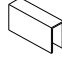
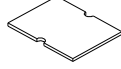
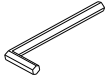


ASSEMBLY TIME PER UNIT: 50 MINUTES

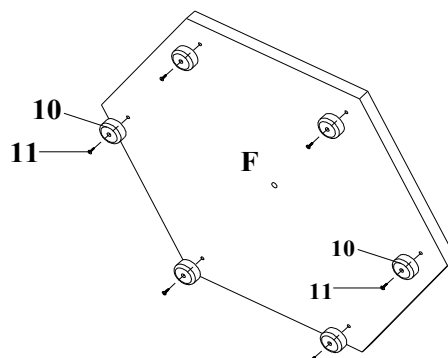
PARTS IDENTIFICATION

<p>A</p> <p>GLASS DOOR</p>  <p>1PC</p>	<p>B</p> <p>SIDE GLASS</p>  <p>5PCS</p>
<p>C</p> <p>CROSSBAR</p>  <p>4PCS</p>	<p>D</p> <p>GLASS SHELF</p>  <p>3PCS</p>
<p>E</p> <p>TOP PANEL</p>  <p>1PC</p>	<p>F</p> <p>BOTTOM PANEL</p>  <p>1PC</p>
<p>G</p> <p>PLASTIC BAR</p>  <p>4PCS</p>	

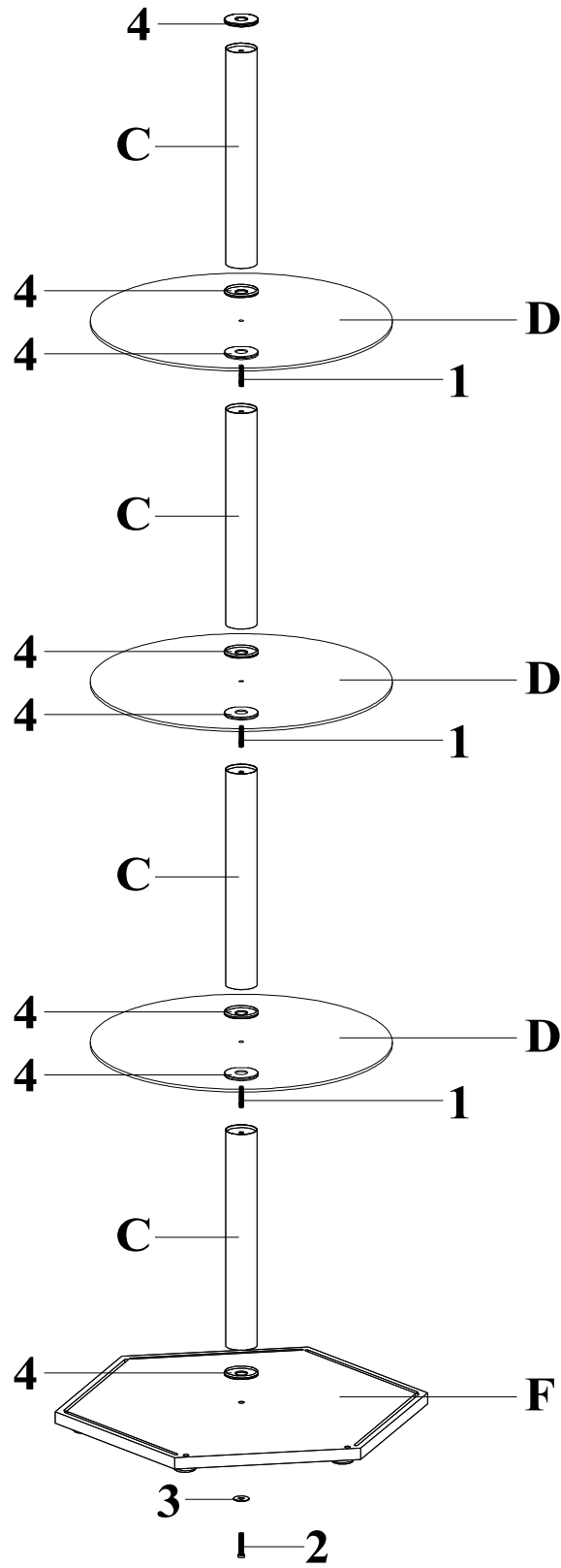
HARDWARE PACKAGE

Z	DESCRIPTION	FIGURE	Q'TY
1	THREAD BOLT (1/4"x65mm)		3PCS
2	LONG BOLT (1/4"x50mm)		2PCS
3	FLAT WASHER (φ 19mm)		2PCS
4	PLASTIC WASHER (φ 50mm)		8PCS
5	PLASTIC MAGNET (19mm)		2PCS
6	HANGER (50mm)		1PC
7	HANGER INSERT (φ 12x9mm)		2PCS
8	METAL WITH ADHESIVE (38mm)		2PCS
9	SMALL BOLT (φ 7x6mm)		4PCS
10	LEG (φ 44x18mm)		6PCS
11	SCREW (7#x22mm)		6PCS
12	HANDLE (40mm)		1PC
13	METAL HANDLE (40mm)		1PC
14	ADHESIVE (38x42mm)		2PCS
15	ALLEN WRENCH (4mm)		1PC

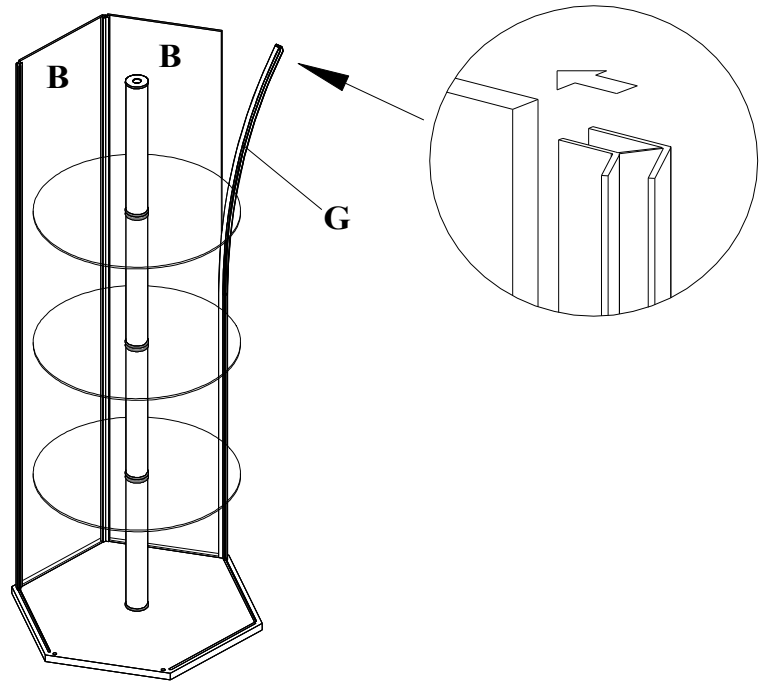
STEP 1



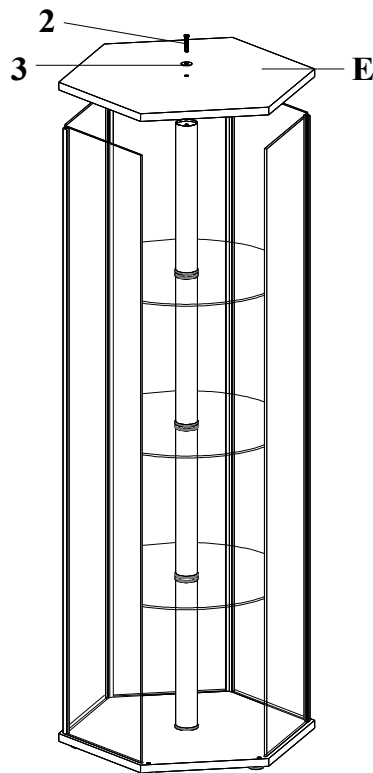
STEP 2



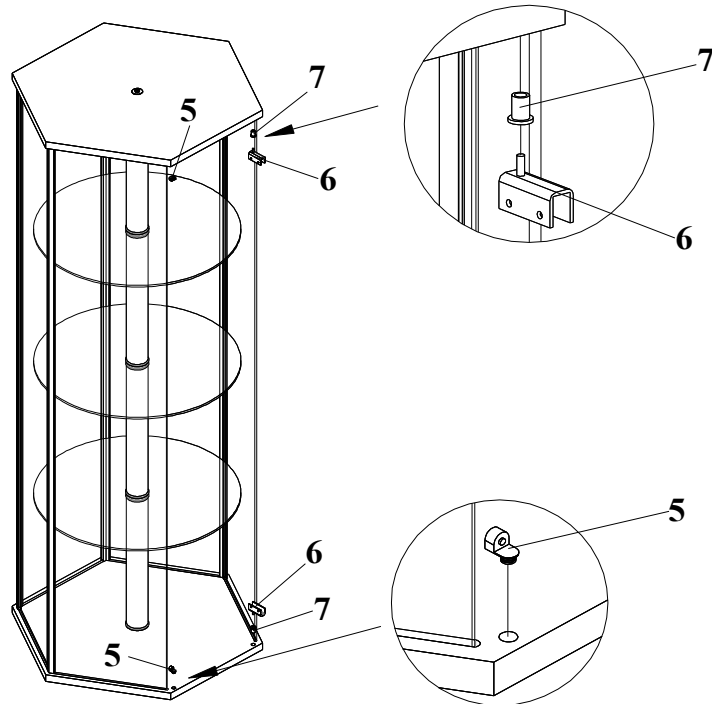
STEP 3



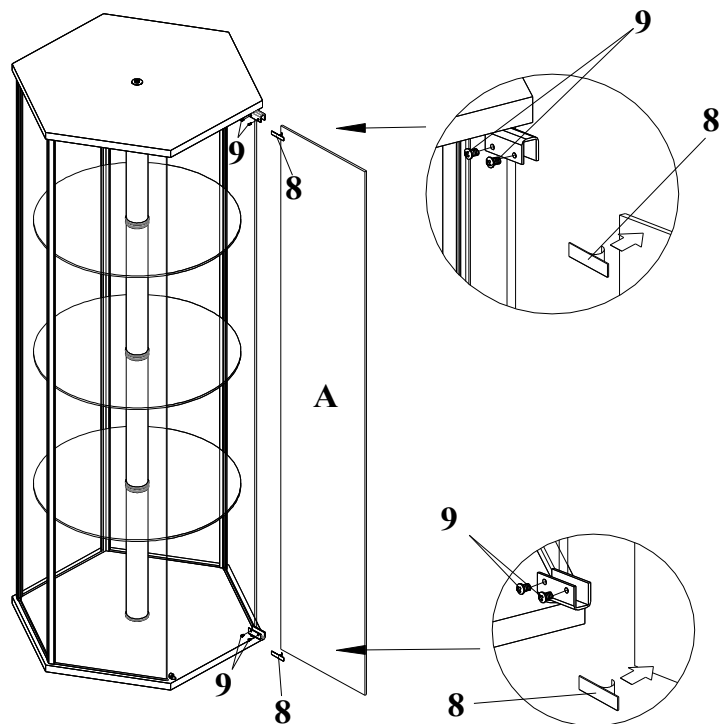
STEP 4



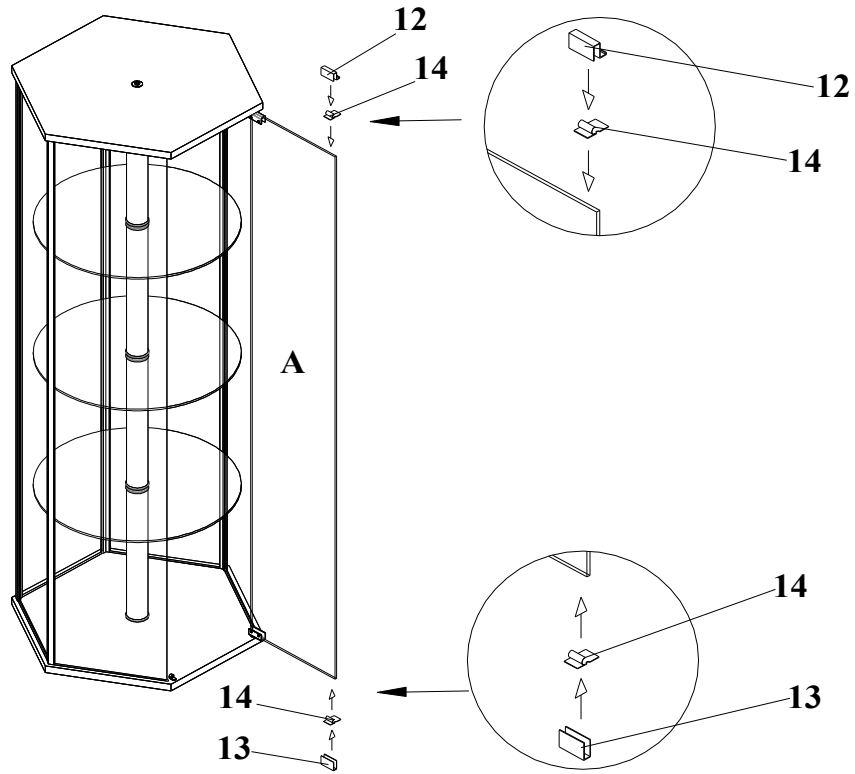
STEP 5



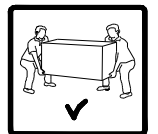
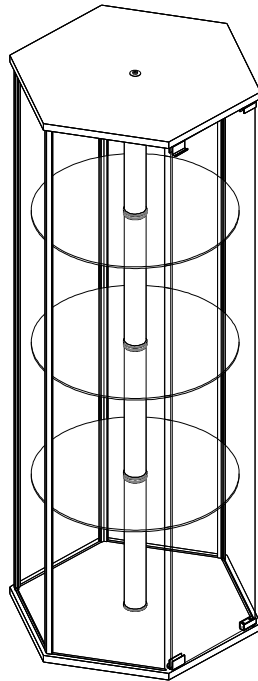
STEP 6



STEP 7

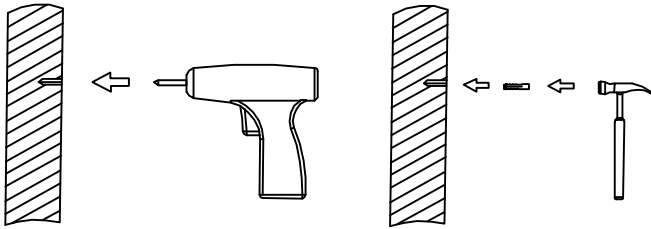
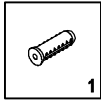


FINSIH

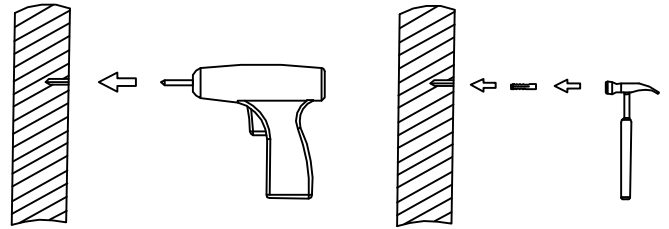
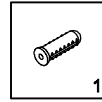


Assembly Instruction of Anti-tipping hardware

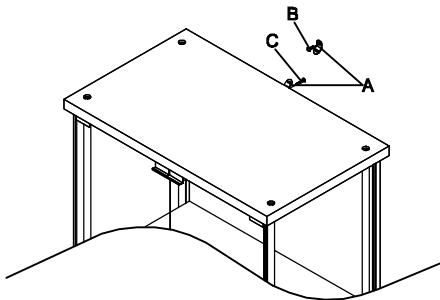
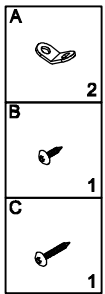
STEP 1



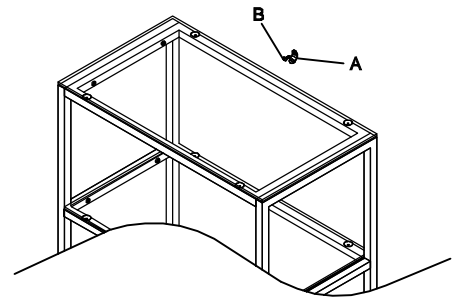
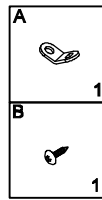
STEP 1



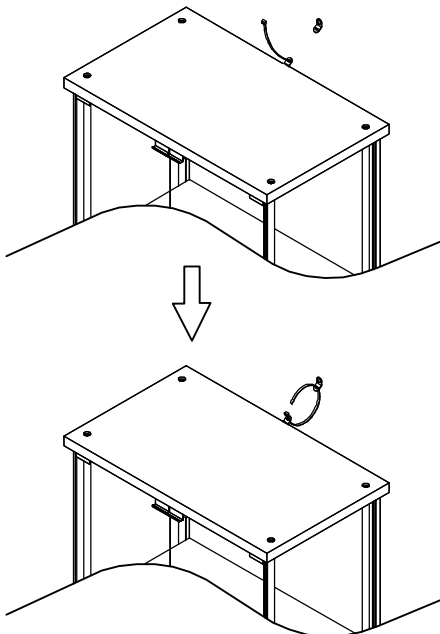
STEP 2



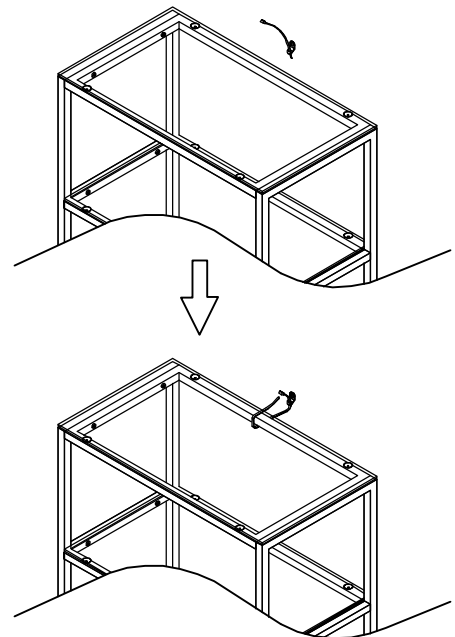
STEP 2



STEP 3



STEP 3



WARNING

Injury may result from tipping furniture
This restraint is not a substitute for proper adult supervision.
This restraint may provide protection against tipping furniture.
Do not allow children to climb on furniture.
Failure to detach this restraint before moving furniture may
result in injury and damage.