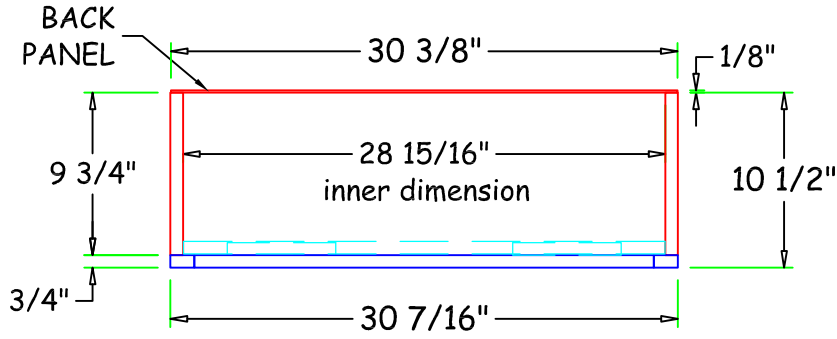
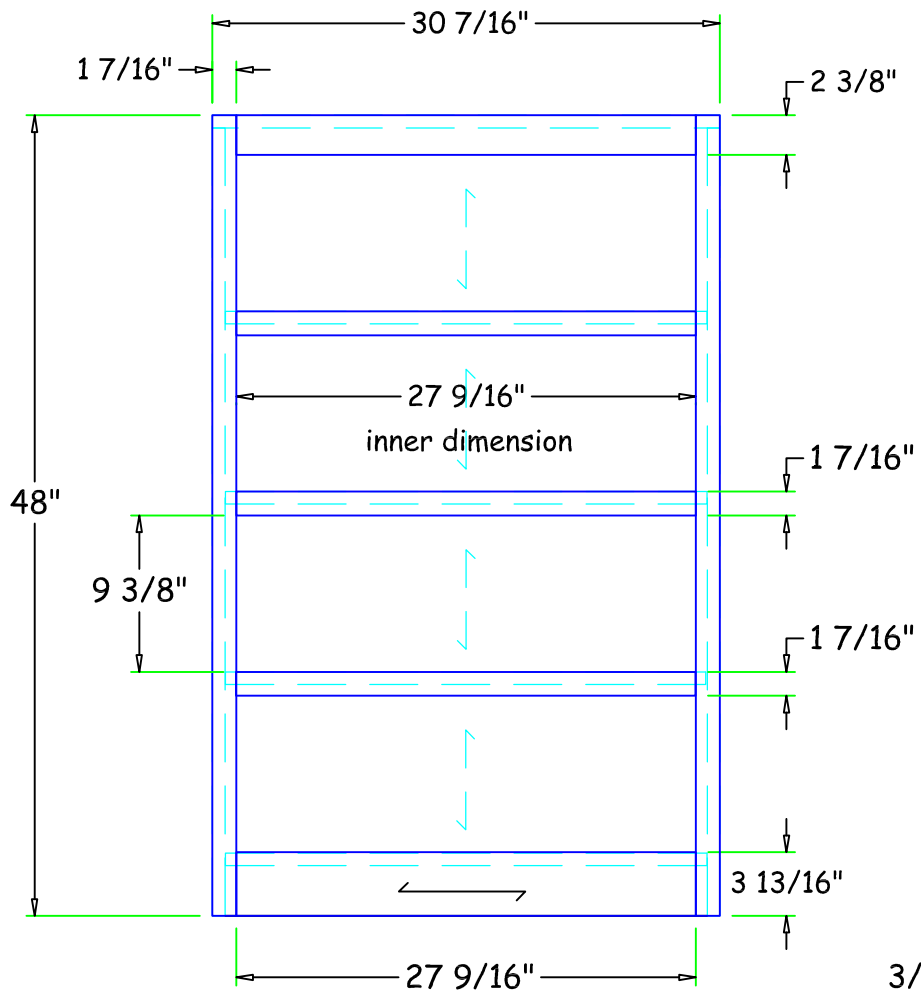
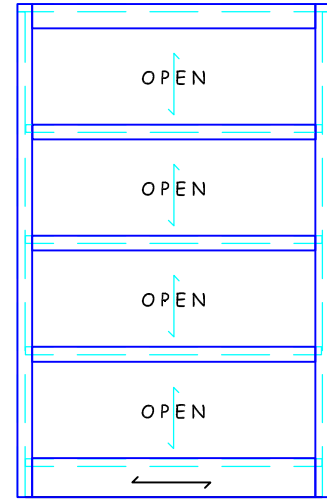


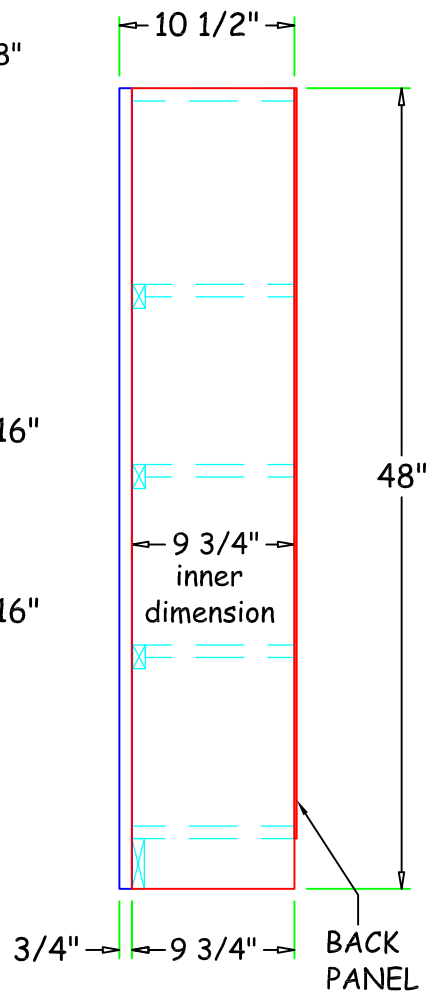
MODELO	MI3048	PLYCRAFT INDUSTRIES inc.		WORK ORDER	04101848		
# PARTE	MI3048	DESCRIPCION	BOOKCASE	MATERIAL	MAPLE PB-CORE 1-1	TOTAL PIEZAS	-
MEDIDA RUSTICA	30 7/16" w x 10 1/2" d x 48" h	MEDIDA FINAL	30 7/16" w x 10 1/2" d x 48" h	FECHA	ABRIL 02, 2018	PIEZAS	1



< PLAN VIEW >



< FRONT VIEW >



< SIDE VIEW >