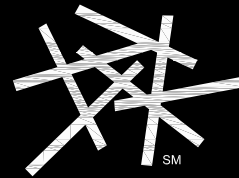
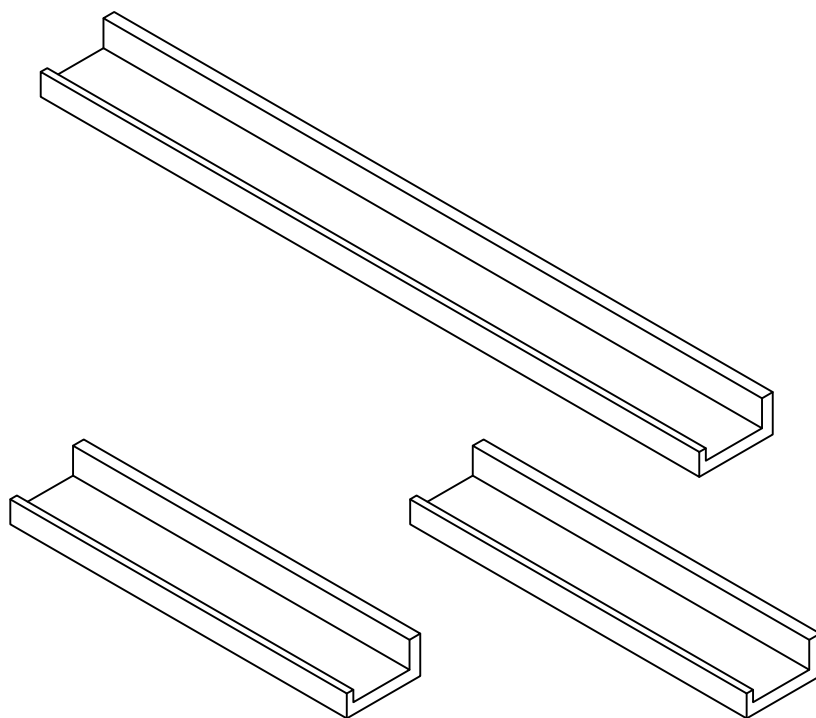


hayneedle



ITEM NAME: Belham Living Foster Ledge Wall Shelf - Set of 3
SKU:CHIS180-1,CHIS180-2



For assistance with assembly, please contact
Hayneedle Customer Care Center
1-888-880-4884

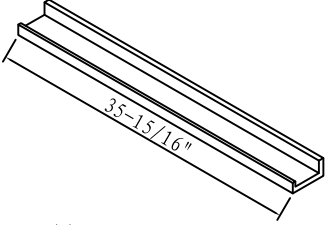
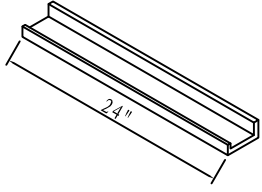
PRE-ASSEMBLY PREPARATION:



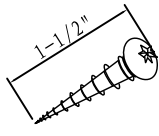
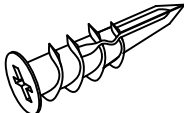
THIS PACKAGE MAY CONTAIN SMALL ITEMS WHICH SHOULD BE KEPT AWAY FROM CHILDREN

- Please check that all parts and hardware are included before beginning assembly.
- Save all packing materials until assembly is complete to avoid accidentally discarding smaller parts or hardware.
- Read through the preparation and assembly instructions in full before beginning assembly.
- Please use CAUTION AND CARE WHEN LIFTING the product to avoid personal injury and (or) damage to the product.
- The following additional tools are required for assembly: Phillips head screwdriver, flat head screwdriver and rubber mallet.
- For ease of assembly, two adults are recommended.

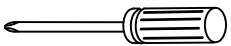
PARTS AND FITTINGS IDENTIFICATION:

 <p>panel (A) Qty: 1</p>	 <p>panel (B) Qty: 2</p>	
--	--	--

HARDWARE LIST:

 <p>Screws (1) Qty: 6</p>	 <p>Anchor (2) Qty: 6</p>		
--	--	--	--

TOOLS REQUIRED:

 <p>(NOT INCLUDE) Qty: 1</p>			
---	--	--	--

STEP-BY-STEP ASSEMBLY:

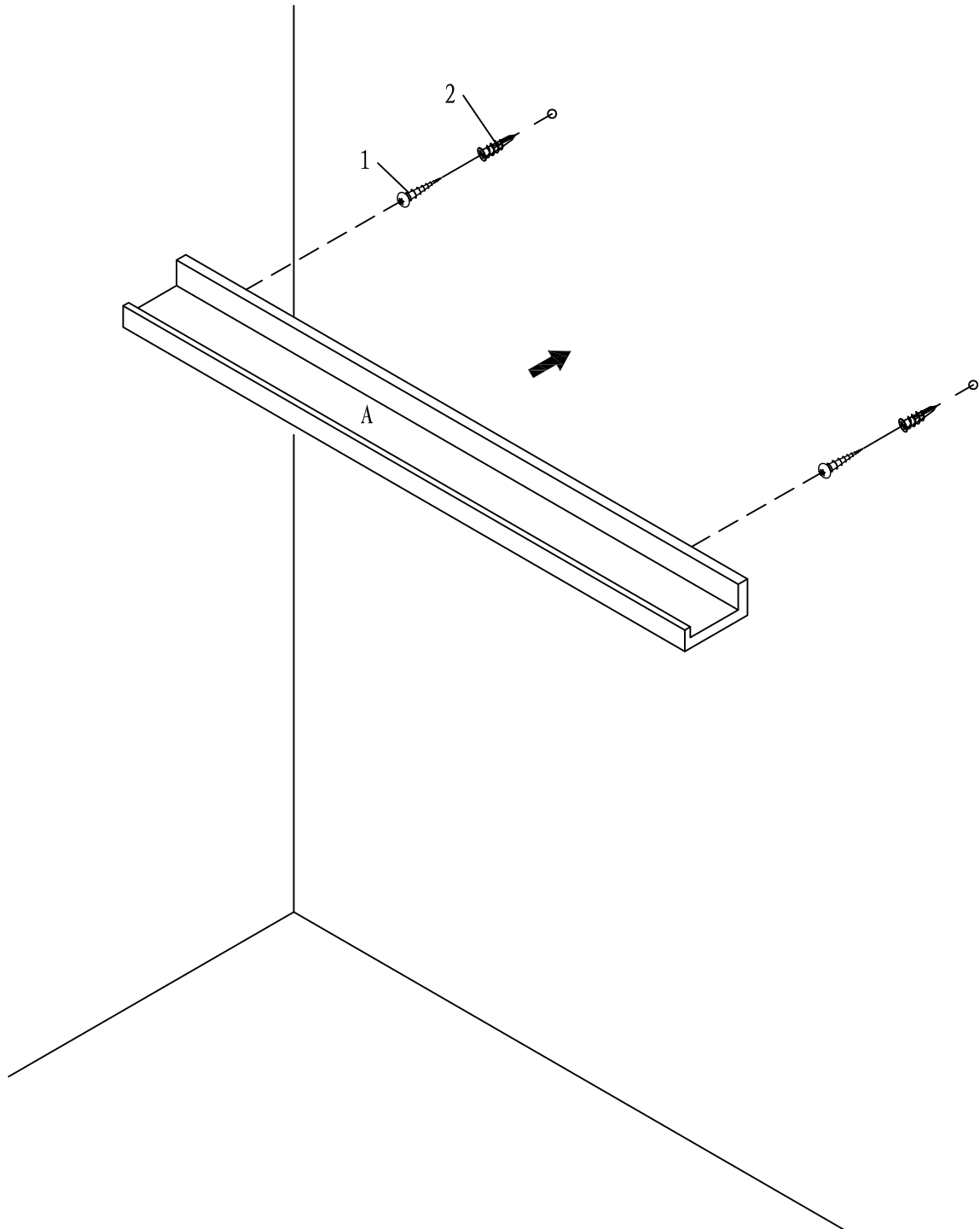
STEP 1: Attach the Wall.

Position unit in desired location against wall.

Place Anchors (2) into drilled holes.

Attach 2 Screws (1) to the Anchors (2) and tighten.

Put the panel (A) onto the Screws (1).



STEP-BY-STEP ASSEMBLY:

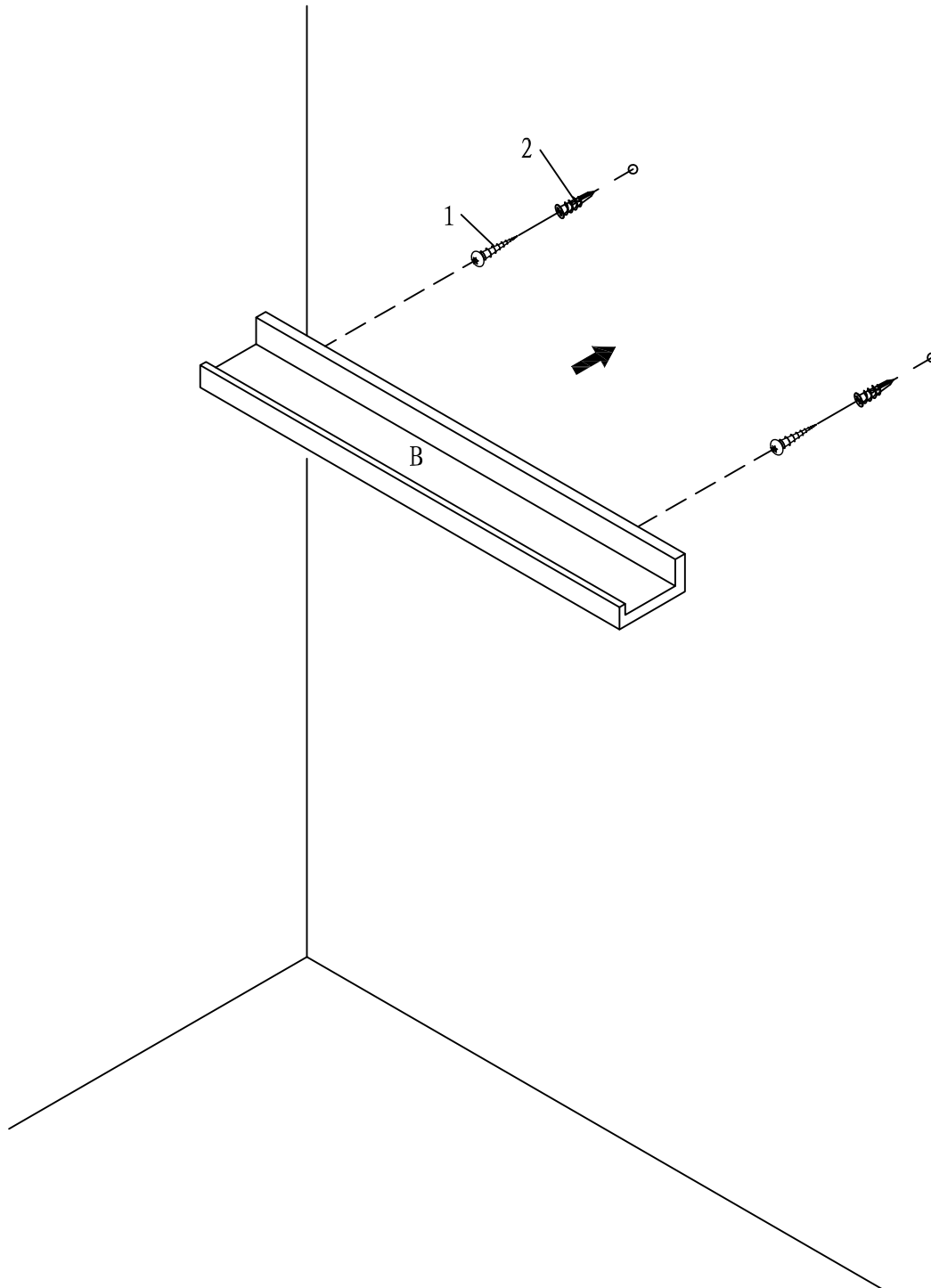
STEP 2: Attach the Wall.

Position unit in desired location against wall.

Place Anchors (2) into drilled holes.

Attach 2 Screws (1) to the Anchors (2) and tighten.

Put the panel (B) onto the Screws (1).





For assistance with assembly, please contact customer service
1-888-880-4884