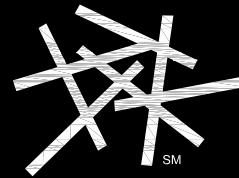
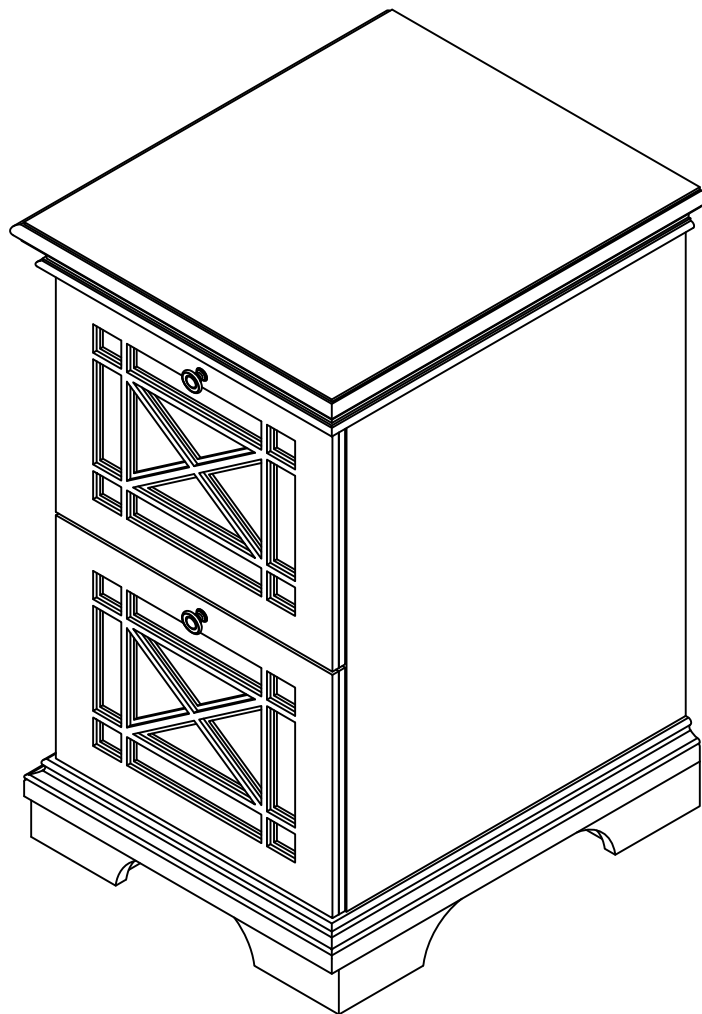


hayneedle



ITEM NAME:Belham Living Florence File Cabinet
SKU:CHIS174-1



For assistance with assembly, please contact
Hayneedle Customer Care Center
1-888-880-4884

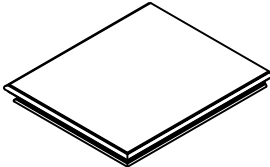
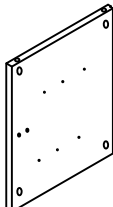
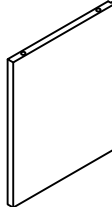
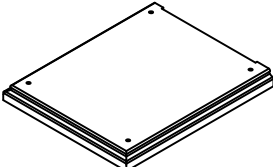
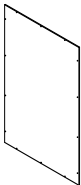
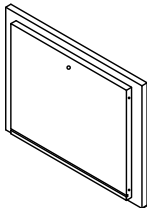
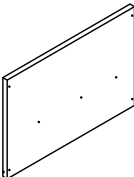
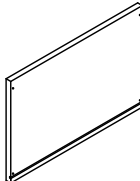
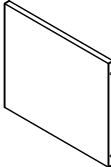
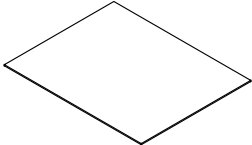
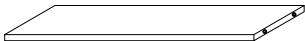
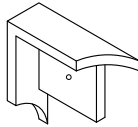
PRE-ASSEMBLY PREPARATION:



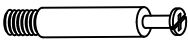


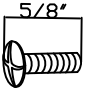
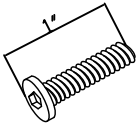
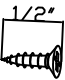
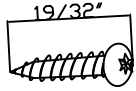


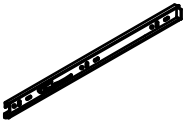


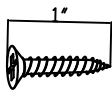

THIS PACKAGE MAY CONTAIN SMALL ITEMS WHICH SHOULD BE KEPT AWAY FROM CHILDREN

- Please check that all parts and hardware are included before beginning assembly.
- Save all packing materials until assembly is complete to avoid accidentally discarding smaller parts or hardware.
- Read through the preparation and assembly instructions in full before beginning assembly.
- Please use CAUTION AND CARE WHEN LIFTING the product to avoid personal injury and (or) damage to the product.
- The following additional tools are required for assembly: Phillips head screwdriver, flat head screwdriver and rubber mallet.
- For ease of assembly, two adults are recommended.

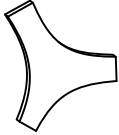
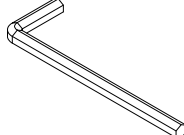
PARTS AND FITTINGS IDENTIFICATION:

 <p>Top Panel (A) Qty: 1</p>	 <p>Left Side Panel (B) Qty: 1</p>	 <p>Right Side Panel (C) Qty: 1</p>
 <p>Bottom Panel (D) Qty: 1</p>	 <p>Back Panel (E) Qty: 1</p>	 <p>Drawer Front (F) Qty: 2</p>
 <p>Drawer Left Side (G) Qty: 2</p>	 <p>Drawer Right Side (H) Qty: 2</p>	 <p>Drawer Back (I) Qty: 2</p>
 <p>Drawer Bottom (J) Qty: 2</p>	 <p>Panel (K) Qty: 1</p>	 <p>Feet (L) Qty: 4</p>

HARDWARE LIST:

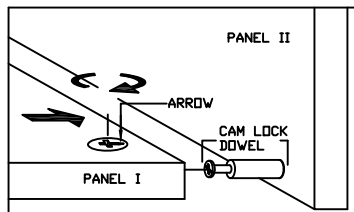
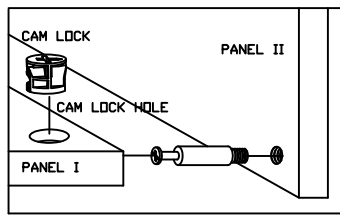
			
Cam-Bolt (1) Qty: 12	Cam-Lock (2) Qty: 12	Dowels (3) Qty: 16	Bolts (4) Qty: 2
			
Bolts (5) Qty: 4	Screw (6) Qty: 24	Screw (7) Qty: 14	Knob (8) Qty: 2
			
Outer Slide (9) Qty: 4	Inner Slide (10) Qty: 4	Spring Washer (11) Qty: 4	Flat Washer (12) Qty: 4
			
Screw(13) Qty: 16	Aluminum Strips(14) Qty: 4		

TOOLS REQUIRED:

			
Cam-Tool Qty: 1	Aluminum Strip Qty: 1		

CAM-LOCK INSTRUCTION

This product is assembled with a cam lock set



STEP 1: Insert Cam Lock into the cam lock hole of Panel I. Cam lock arrow should be pointing towards the cam lock dowel insertion hole.

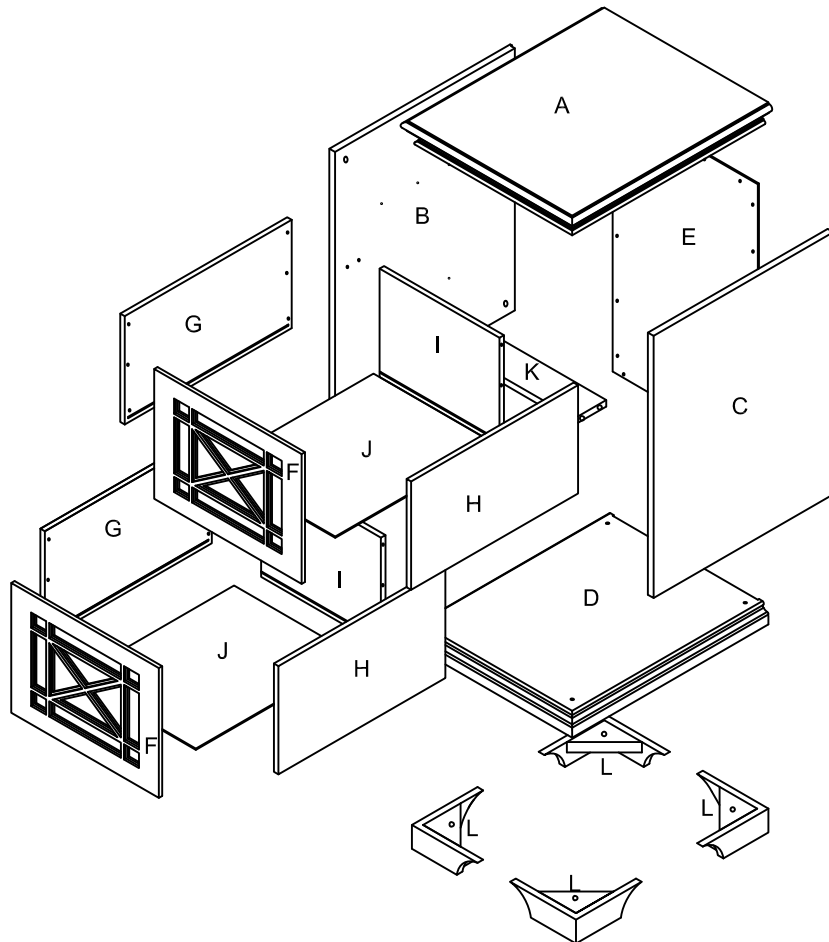
STEP 2: Insert the cam lock dowel into Panel II.

STEP 3: Connect Panel I and Panel II by inserting the cam lock dowel through the hole to which the cam lock arrow is pointing.

STEP 4: Press panel I and Panel II together.

STEP 5: Lock panels together by turning cam lock clockwise. The cam lock and dowel should make a click sound, indicating they are locked together.

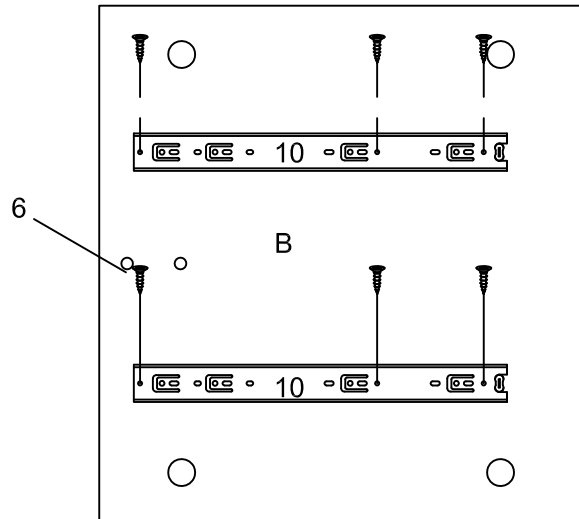
STRUCTURAL DIAGRAM:



STEP-BY-STEP ASSEMBLY:

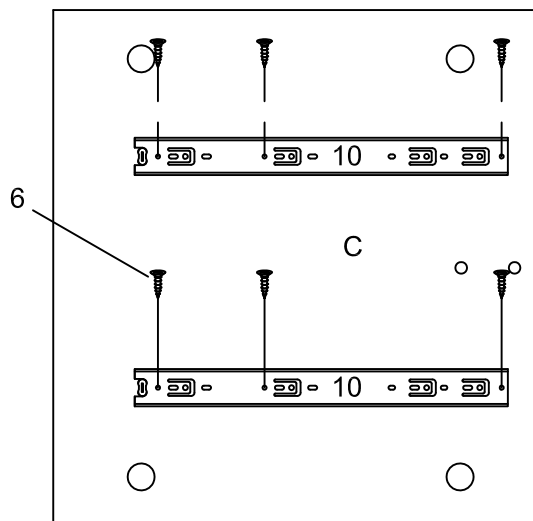
STEP 1: Attach Outer Slide.

Attach the 2 Outer Slide(10) to the Left Side Panel(B) as shown using 6 Screws (6) and tighten.



STEP 2: Attach Outer Slide.

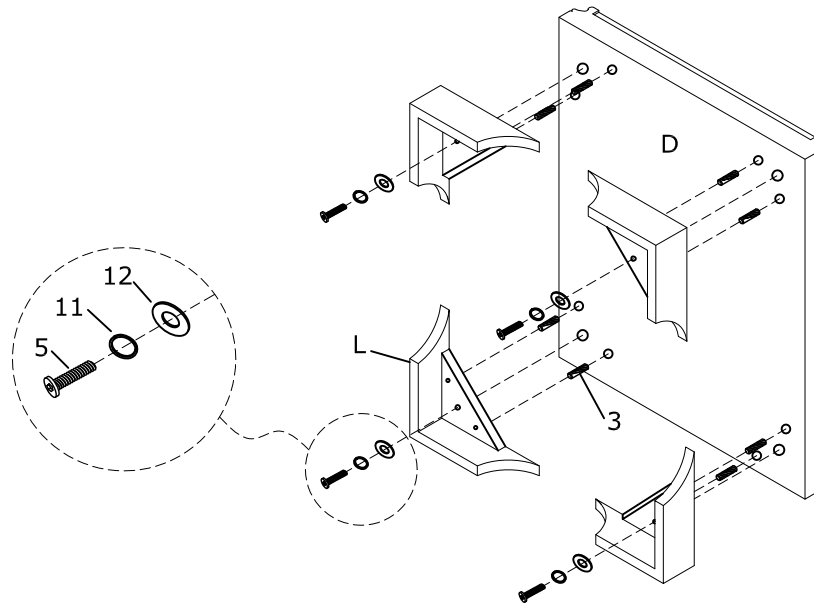
Attach the 2 Outer Slide(10) to the Right Side Panel(C) as shown using 6 Screws (6) and tighten.



STEP-BY-STEP ASSEMBLY:

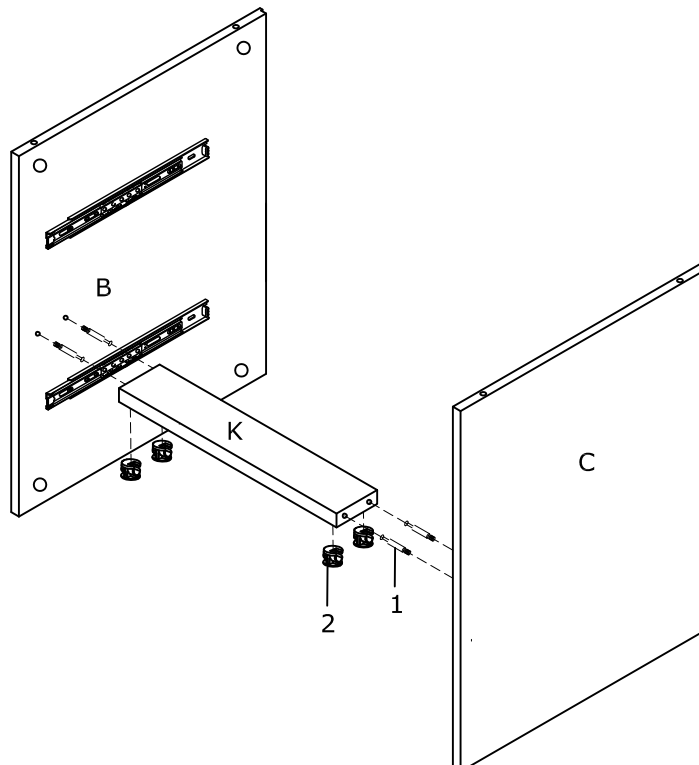
STEP 3: Attach Feet.

Attach the Feet (L) to the Bottom Panel (D) as shown using 4 Bolts(5) and 4 Flat Washer (12) and 4 Spring Washer (11) and 8 Dowel (3) and tighten.



STEP 4: Attach Left Side Panel.

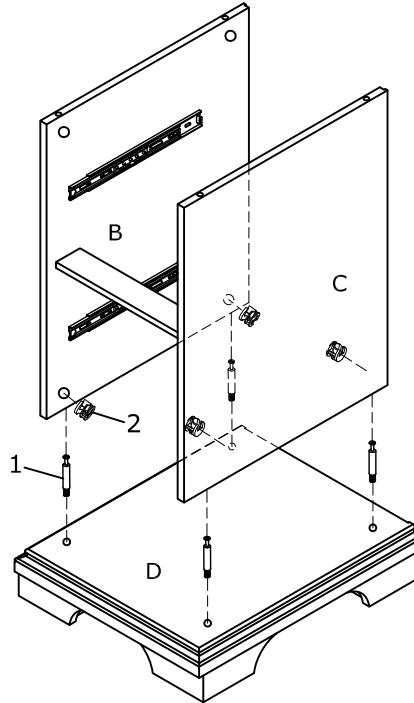
Insert 4 Cam-Bolts(1) into holes on Panel (B/C) as shown. Insert 4 Cam-Locks(2) into holes on Panel(K) and tighten.



STEP-BY-STEP ASSEMBLY:

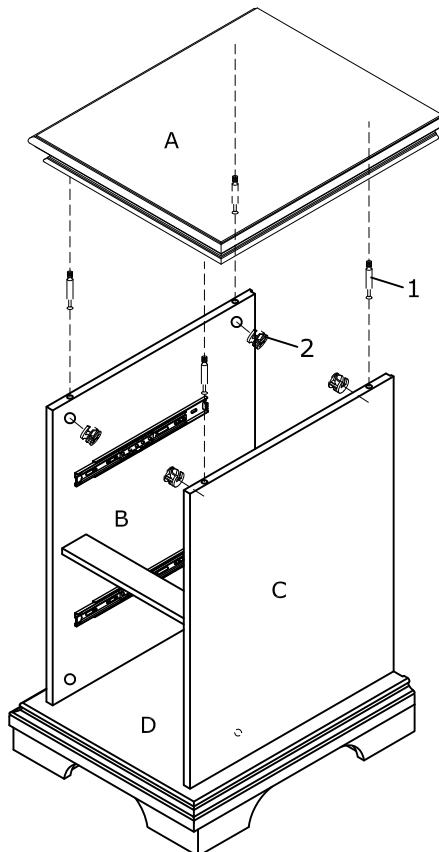
STEP 5: Attach Bottom Panel .

Insert 4 Cam-Bolts(1) into holes on Panel (D) as shown. Insert 4 Cam-Locks(2) into holes on Panel(B/C) and tighten.



STEP 6: Attach Top Panel .

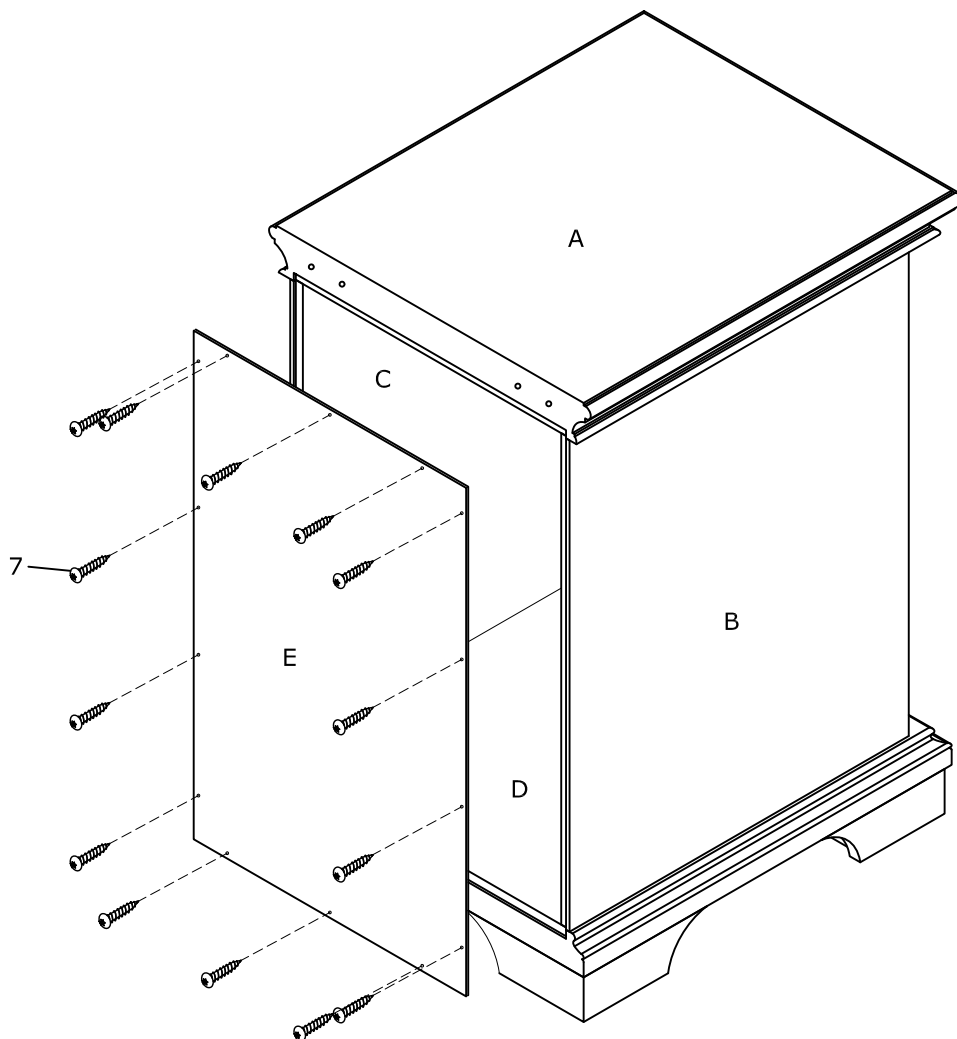
Insert 4 Cam-Bolts(1) into holes on Panel (A) as shown. Insert 4 Cam-Locks(2) into holes on Panel(B/C) and tighten.



STEP-BY-STEP ASSEMBLY:

STEP 7: Attach Back Panel .

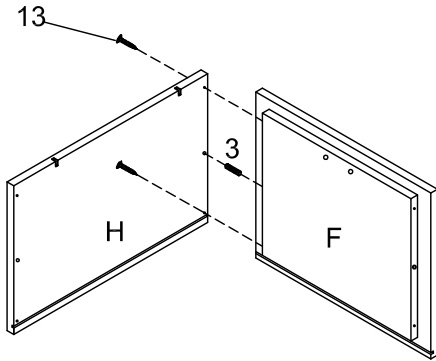
Attach the Back Panel (E) to the Panel (A/B/C/D) as shown using 14 Screw(7) and tighten.



STEP-BY-STEP ASSEMBLY:

STEP 8: Assemble Big Drawer Frame.

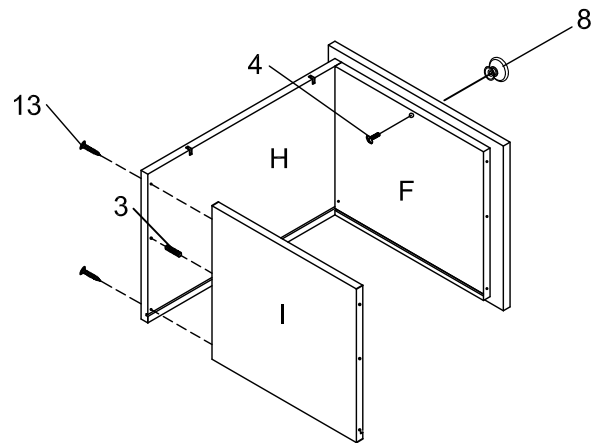
Attach the Drawer Right Side(H) and 1 Dowels (3) to Drawer Front(F) using 2 Screws(13).



STEP 9: Assemble Big Drawer Back.

Attach the Drawer Back(I) between Drawer Right Side(H) and 1 Dowels (3) using 2 Screws(13) and tighten.

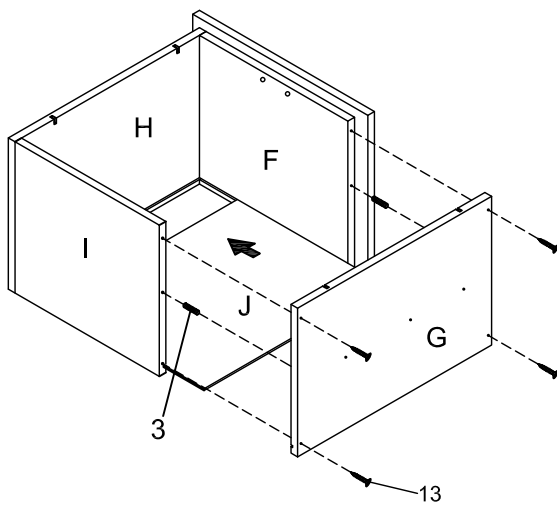
Attach the 1 knob(8) to Drawer Front (F) using 1 Handle Screws(4).



STEP 10: Install Big Drawer Bottom.

Insert Drawer Bottom(J) into the slots in the Drawer Right Side(H) and 2 Dowels (3) and Drawer Front(F/I).

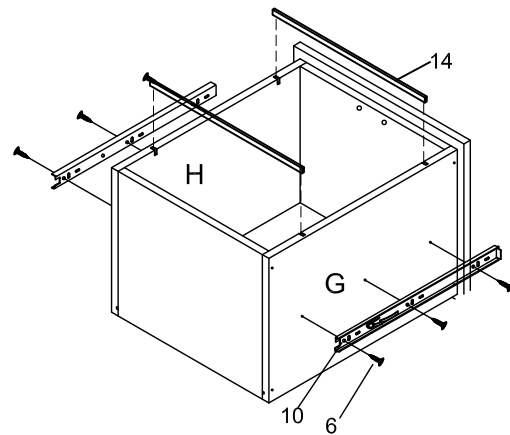
Attach the Drawer Left Side(G) to Drawer Front(F/I) using 4 Screws(13).



STEP 11: Attach Inner Slides.

Attach the 2 Inner Slide(10) to Drawer Right/Left Side(H/G) using 6 Screws(6) and tighten.

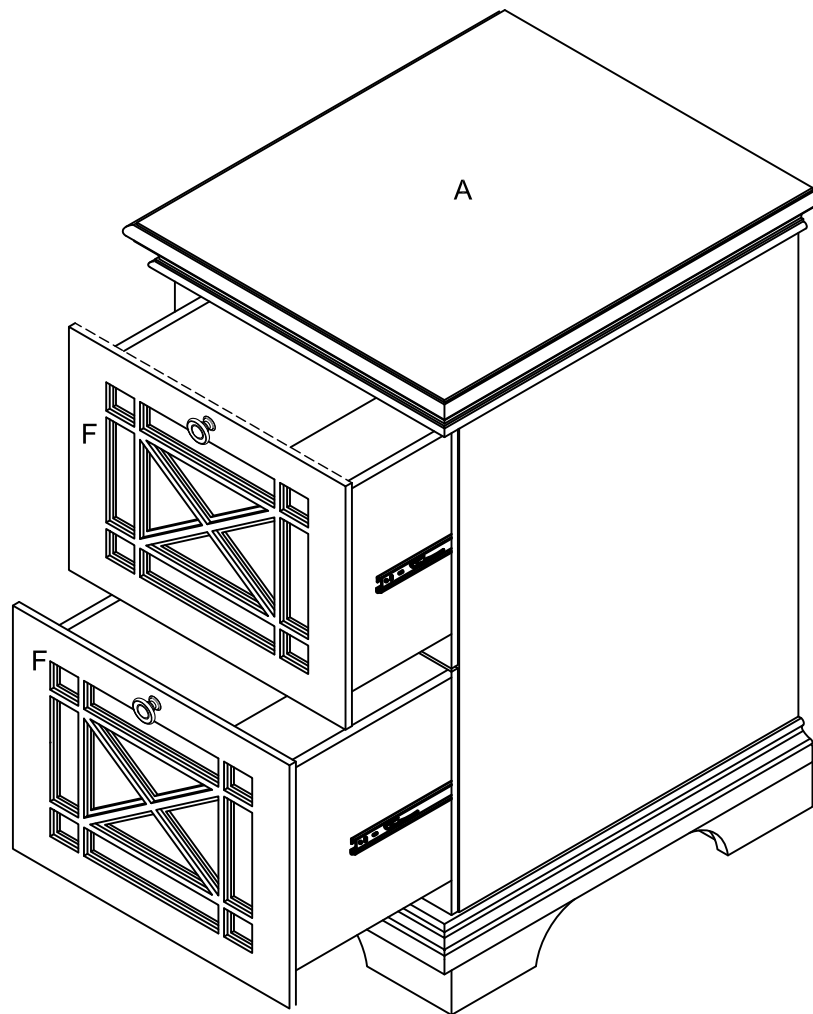
Attach the 2 Aluminum Strips (14) to Drawer Right/Left Side(H/G).



STEP-BY-STEP ASSEMBLY:



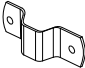
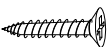
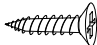
STEP 12: Install Big Drawer Bottom.

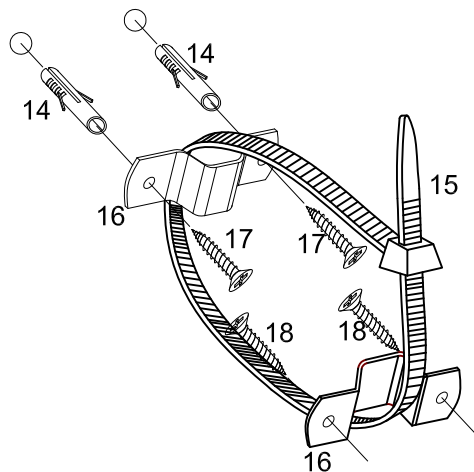
Place 2 Drawer (A) as shown.



ANTI-TIP RESTRAINT ASSEMBLY INSTRUCTION:

Anti-tip Restraint is Required in order to complete construction of this product. When properly installed, this hardware can provide protection against the unexpected tipping of furniture.

	Parts designation	Parts image	QTY
(14)	Anchor		4
(15)	Plastic Belt		2
(16)	Bracket		4
(17)	Long Screw		4
(18)	Short Screw		4



ASSEMBLY INSTRUCTIONS:

STEP 1: Attach two of the mounting brackets(16) and secure to the back top edge of the furniture using the short screws(18).

STEP 2: Mark the location on the wall for mounting the other two brackets(16). Create the appropriate sized hole in the wall and insert the plastic screw anchors(14). Secure the bracket to the wall using the long screws(17).

Step 3: Place the furniture so the bracket on the back edge of the unit is in the line with the bracket on the wall.

Step 4: Lace an end of the plastic belts(15) down through each bracket. Bring both ends together and slide the beaded end of the plastic belt through the keyhole-shaped slot on the other end. Pull down on the beaded end until it snap-locks into the keyhole.

STEP 5: Check to make sure the plastic belt is securely laced and locked to the brackets.



For assistance with assembly, please contact customer service
1-888-880-4884