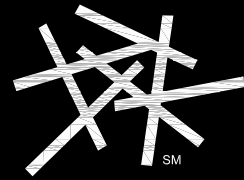
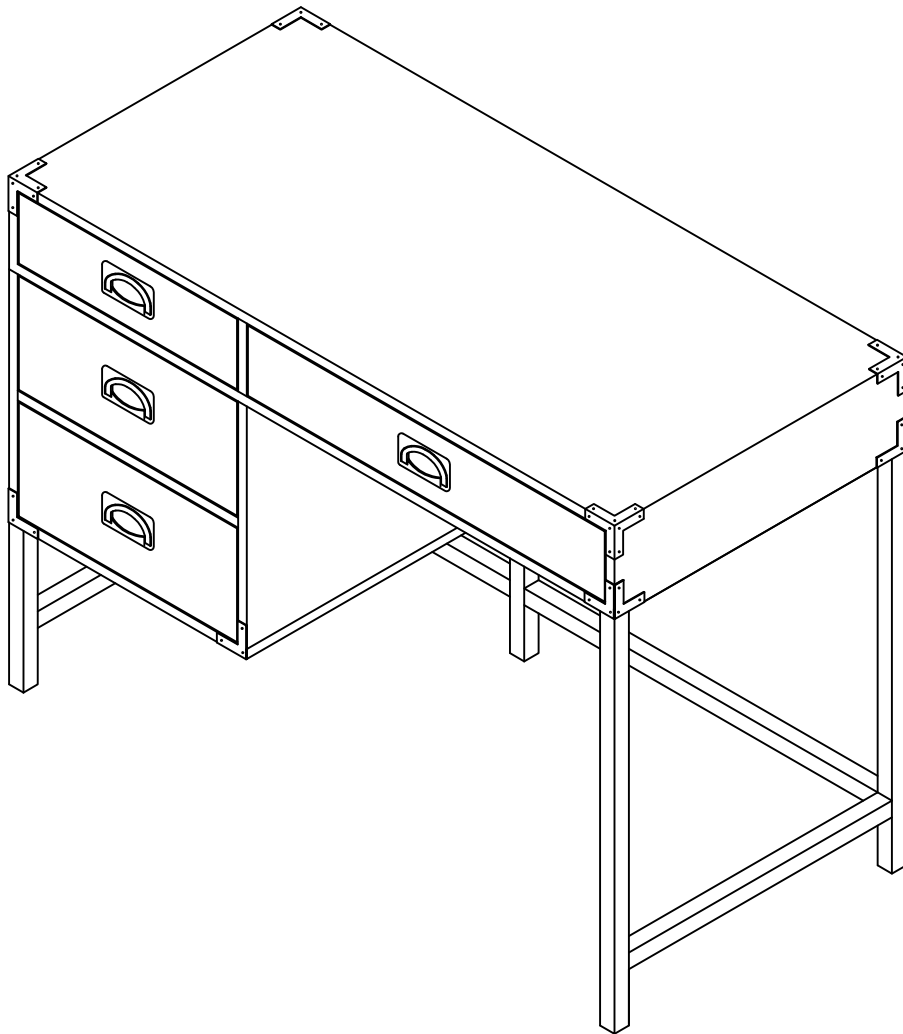


hayneedle



ITEM NAME:Belham Living Amelia Campaign Desk
SKU:CHIS167-1



For assistance with assembly, please contact
Hayneedle Customer Care Center
1-888-880-4884

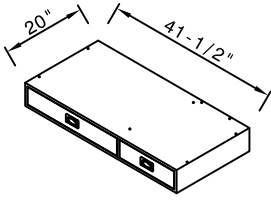
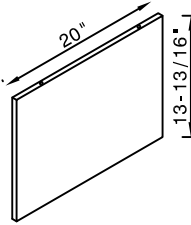
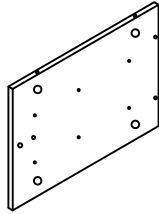
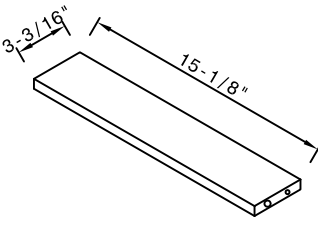
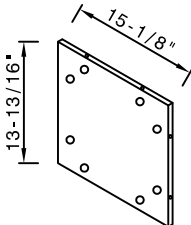
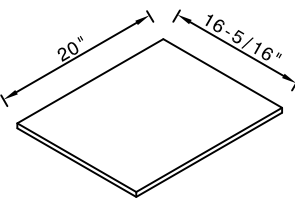
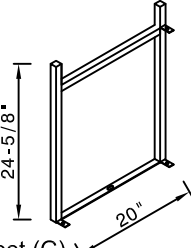
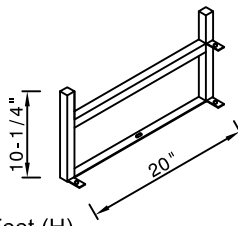
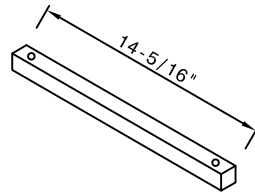
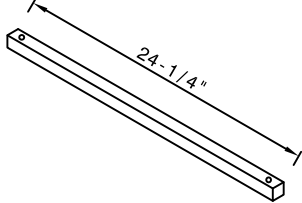
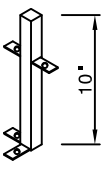
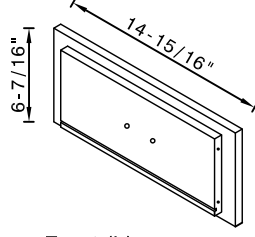
PRE-ASSEMBLY PREPARATION:



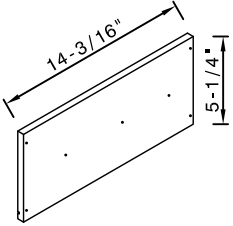
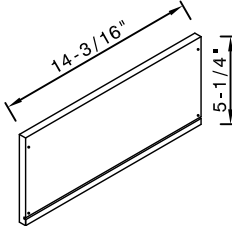
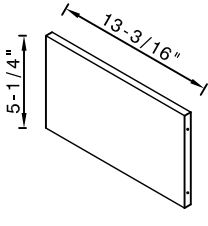
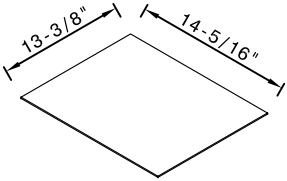
THIS PACKAGE MAY CONTAIN SMALL ITEMS WHICH SHOULD BE KEPT AWAY FROM CHILDREN

- Please check that all parts and hardware are included before beginning assembly.
- Save all packing materials until assembly is complete to avoid accidentally discarding smaller parts or hardware.
- Read through the preparation and assembly instructions in full before beginning assembly.
- Please use CAUTION AND CARE WHEN LIFTING the product to avoid personal injury and (or) damage to the product.
- The following additional tools are required for assembly: Phillips head screwdriver, flat head screwdriver and rubber mallet.
- For ease of assembly, two adults are recommended.

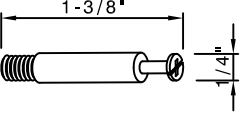
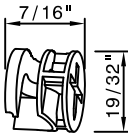
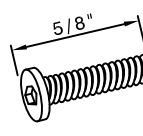
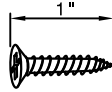
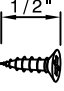
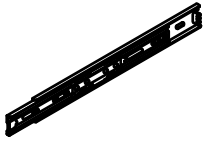
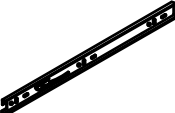

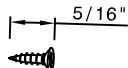
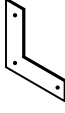


PARTS AND FITTINGS IDENTIFICATION:

 <p>Body (A) Qty: 1</p>	 <p>Left Side Panel (B) Qty: 1</p>	 <p>Right Side Panel (C) Qty: 1</p>
 <p>Frame (D) Qty: 1</p>	 <p>Back Panel (E) Qty: 1</p>	 <p>Bottom Panel (F) Qty: 1</p>
 <p>Right Feet (G) Qty: 1</p>	 <p>Left Feet (H) Qty: 1</p>	 <p>Peeler (I) Qty: 1</p>
 <p>Peeler (J) Qty: 1</p>	 <p>Front Feet (K) Qty: 1</p>	 <p>Drawer Front (L) Qty: 2</p>



PARTS AND FITTINGS IDENTIFICATION:

 <p>Drawer Left Side (M) Qty: 2</p>	 <p>Drawer Right Side (N) Qty: 2</p>	 <p>Drawer Back (O) Qty: 2</p>
 <p>Drawer Bottom (P) Qty: 2</p>		

HARDWARE LIST:

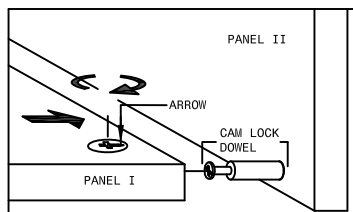
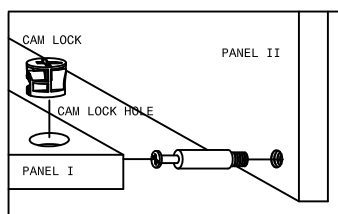
 <p>Cam-Bolt (1) Qty: 18</p>	 <p>Cam-Lock (2) Qty: 18</p>	 <p>Bolt (3) Qty: 12</p>	 <p>Screw (4) Qty: 16</p>
 <p>Screw (5) Qty: 24</p>	 <p>Outer Slide (6) Qty: 4</p>	 <p>Inner Slide (7) Qty: 4</p>	 <p>Dowel (8) Qty: 2</p>
 <p>Screw (9) Qty: 12</p>	 <p>Paster (10) Qty: 4</p>	 <p>Spring Washer (11) Qty: 12</p>	 <p>Flat Washer (12) Qty: 12</p>

TOOLS REQUIRED:

 <p>Cam-Tool Qty: 1</p>	 <p>ALLEN WRENCH Qty: 1</p>		
--	--	--	--

CAM-LOCK INSTRUCTION

This product is assembled with a cam lock set



STEP 1: Insert Cam Lock into the cam lock hole of Panel I. Cam lock arrow should be pointing towards the cam lock dowel insertion hole.

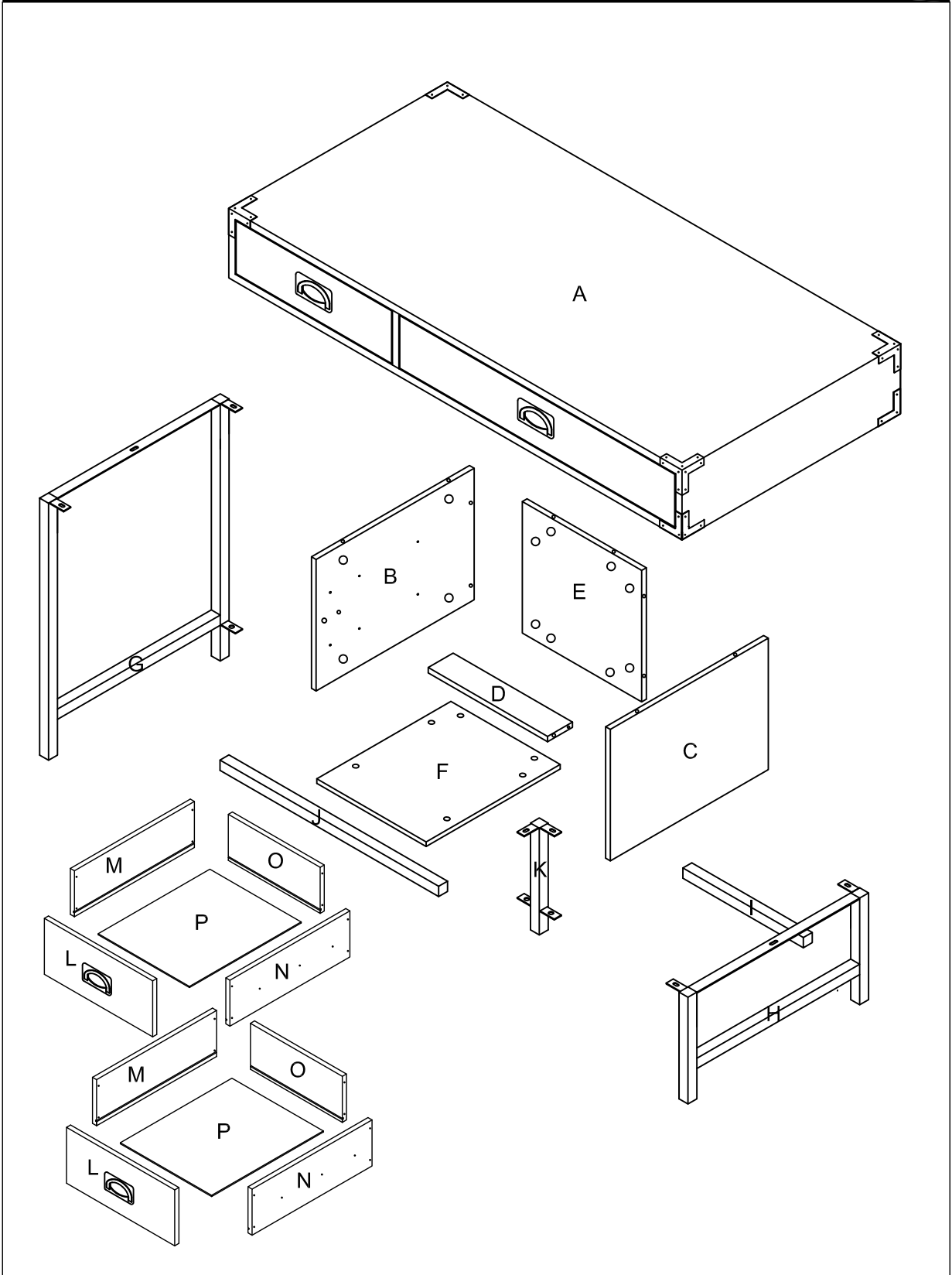
STEP 2: Insert the cam lock dowel into Panel II.

STEP 3: Connect Panel I and Panel II by inserting the cam lock dowel through the hole to which the cam lock arrow is pointing.

STEP 4: Press panel I and Panel II together.

STEP 5: Lock panels together by turning cam lock clockwise. The cam lock and dowel should make a click sound, indicating they are locked together.

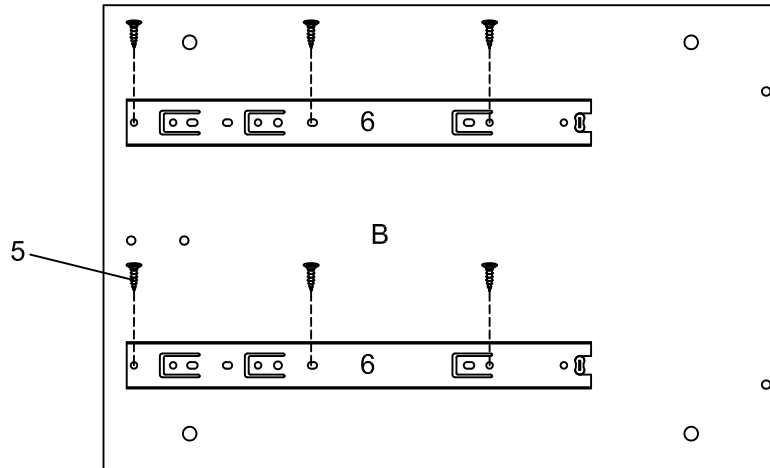
STRUCTURAL DIAGRAM:



STEP-BY-STEP ASSEMBLY:

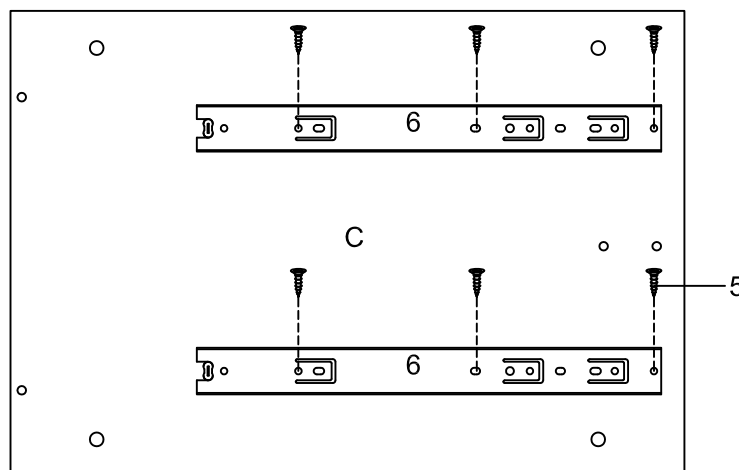
STEP 1: Attach Outer Slide.

Attach the 2 Outer Slide(6) to the Left Side Panel(B) as shown using 6 Screws(5) and tighten.



STEP 2: Attach Outer Slide.

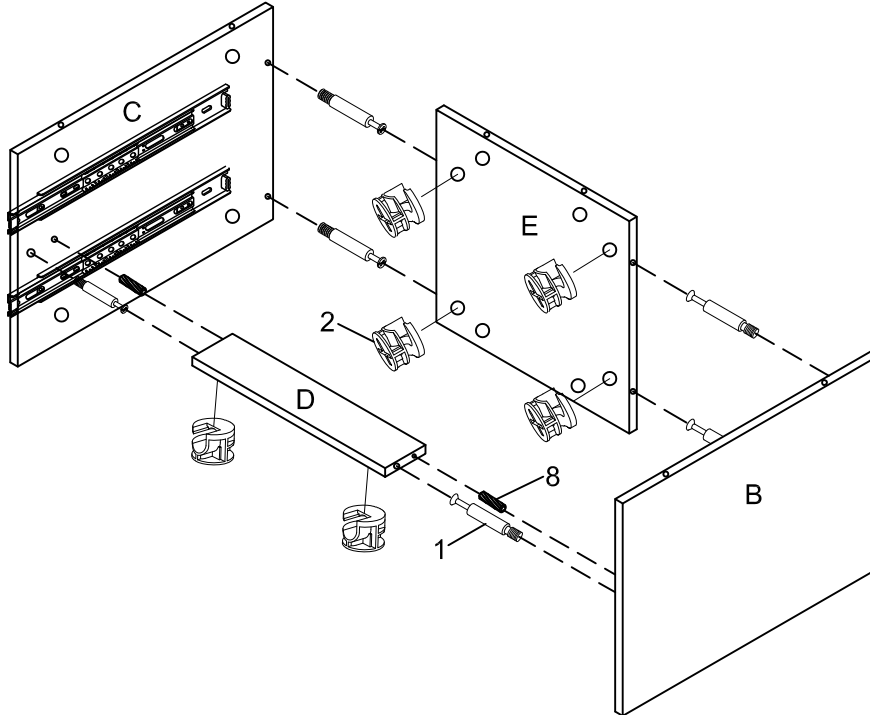
Attach the 2 Outer Slide(6) to the Right Side Panel(C) as shown using 6 Screws(5) and tighten.



STEP-BY-STEP ASSEMBLY:

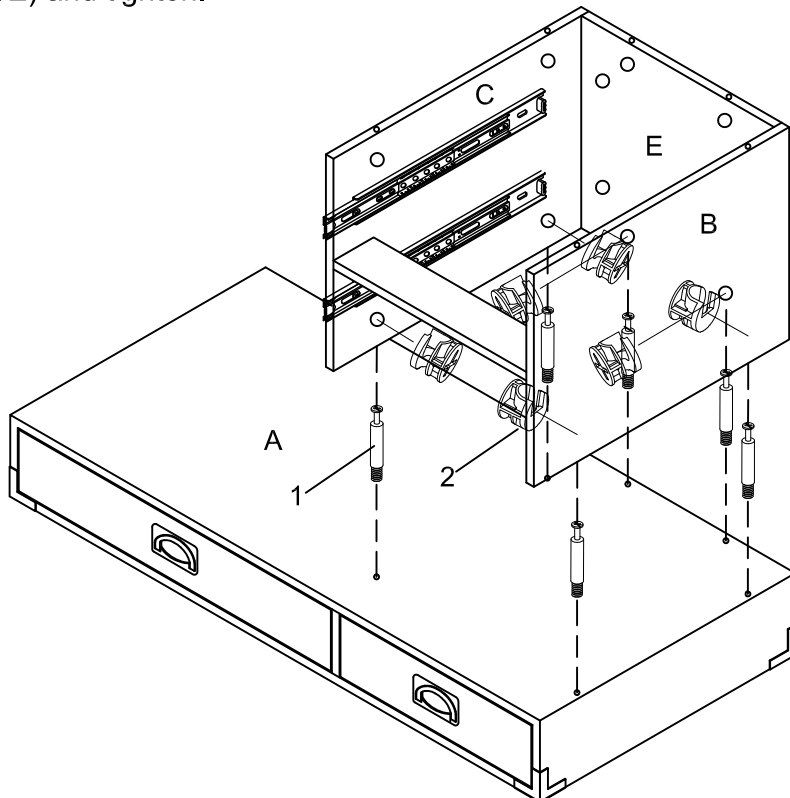
STEP 3: Attach Left/Right Side.

Insert 6 Cam-Bolts (1) 2 Dowel (8) into holes on Left/Right Side(B/C) as shown. Insert 6 Cam-Locks (2) into holes on Frame(D) and Back Panel(E) and tighten.



STEP 4: Attach Body.

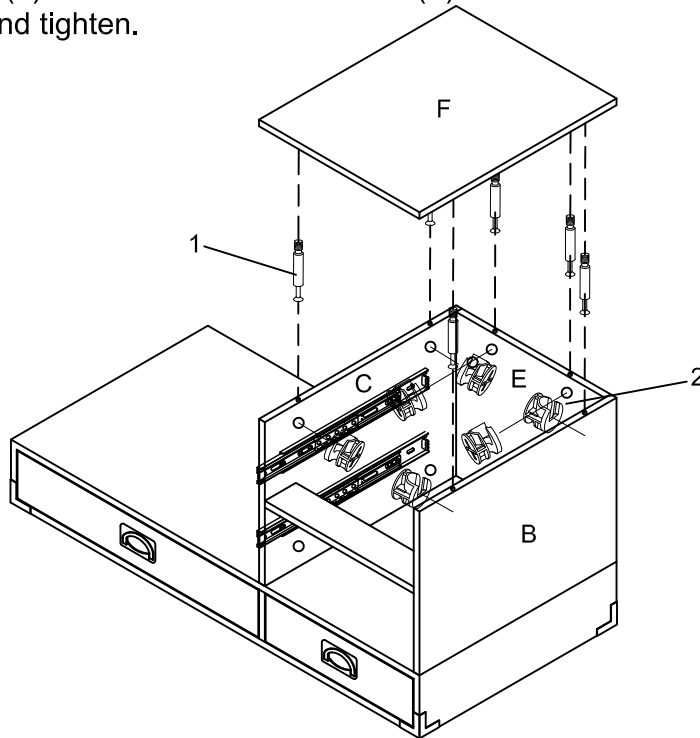
Insert 6 Cam-Bolts (1) into holes on Top Panel(A) as shown. Insert 6 Cam-Locks (2) into holes on Panel(B/C/E) and tighten.



STEP-BY-STEP ASSEMBLY:

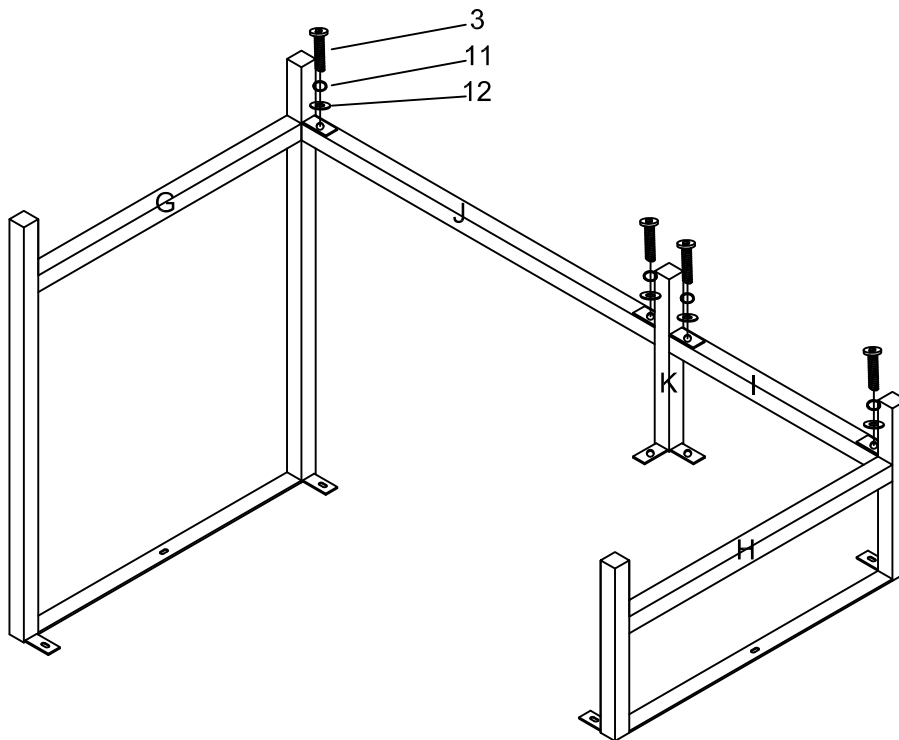
STEP 5: Attach Bottom Panel.

Insert 6 Cam-Bolts(1) into holes on Bottom Panel(F) as shown. Insert 6 Cam-Locks(2) into holes on Panel(B/C/E) and tighten.



STEP 6: Attach Feet.

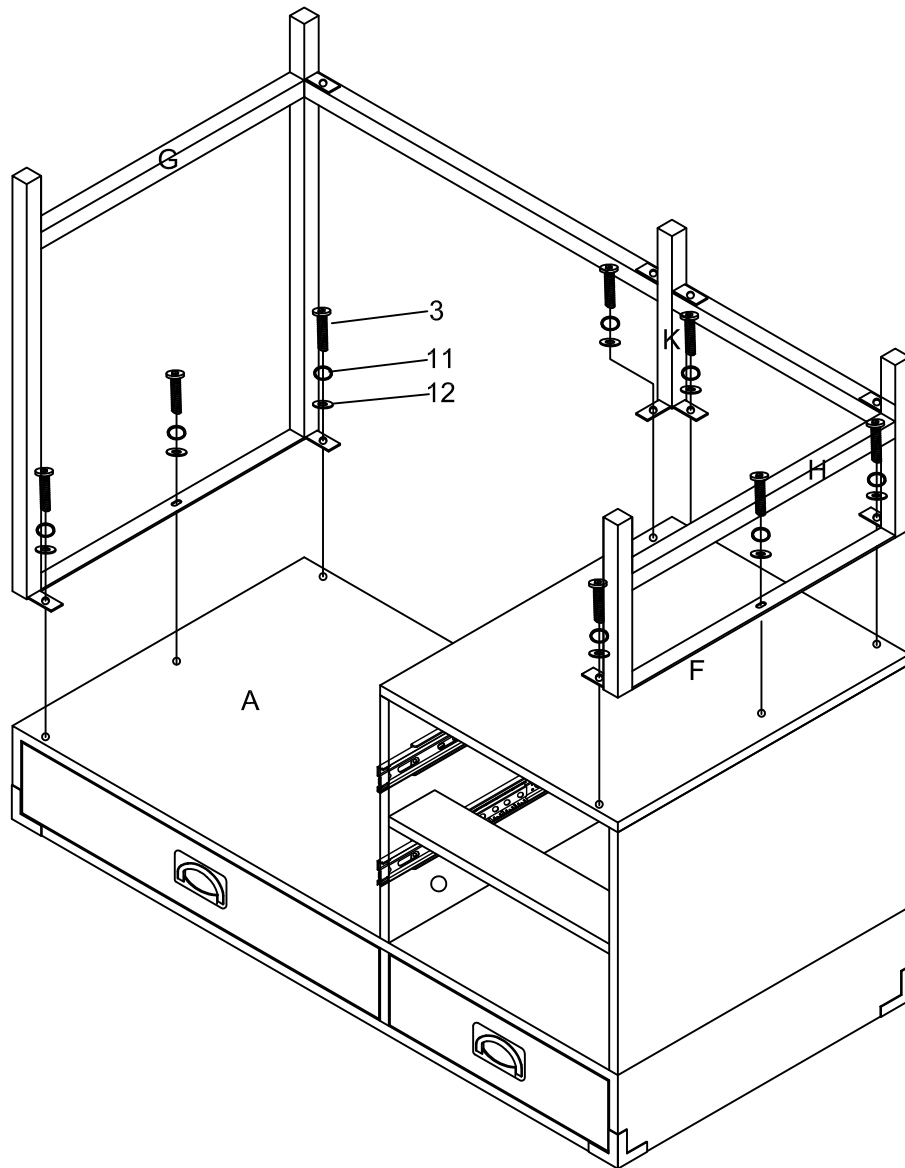
Attach the Feet(G/H/K) to the Peeler(J/I) Using 4 Bolts(3) and Spring Washer(11) and Flat Washer(12) and tighten.



STEP-BY-STEP ASSEMBLY:

STEP 7: Attach Feet.

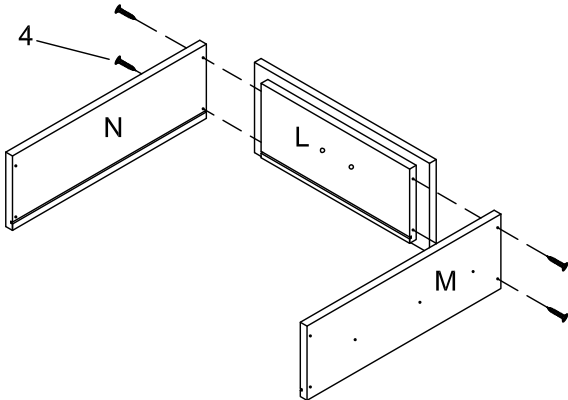
Attach the Feet(G/H/K) to the Panel(A/F) as shown using 8 Bolts(3) and 8 Spring Washer(11) and 8 Flat Washer(12) and tighten.



STEP-BY-STEP ASSEMBLY:

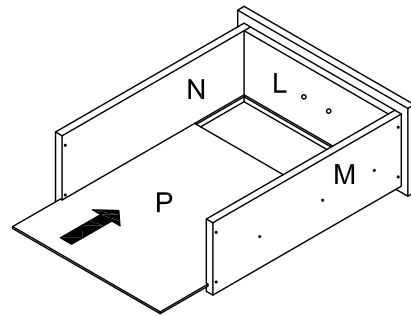
STEP 8: Assemble Drawer Frame.

Attach the Drawer Left/Right Side(M/N) to Drawer Front(L) using 4 Screws(4).



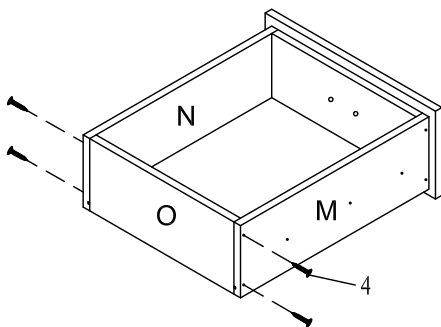
STEP 9: Install Drawer Bottom.

Insert Drawer Bottom(P) into the slots in the Drawer Left/Right Side(M/N) and Drawer Front(L).



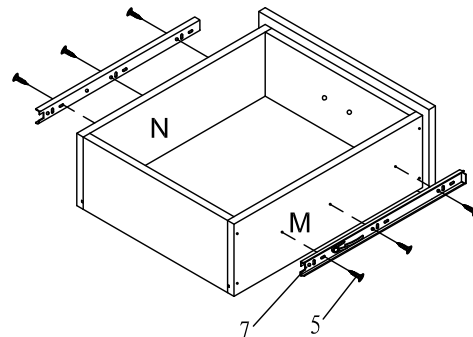
STEP 10: Assemble Drawer Back.

Attach the Drawer Back(O) between Drawer Right/Left Side(M/N) using 4 Screws(4) and tighten.



STEP 11: Attach Inner Slides.

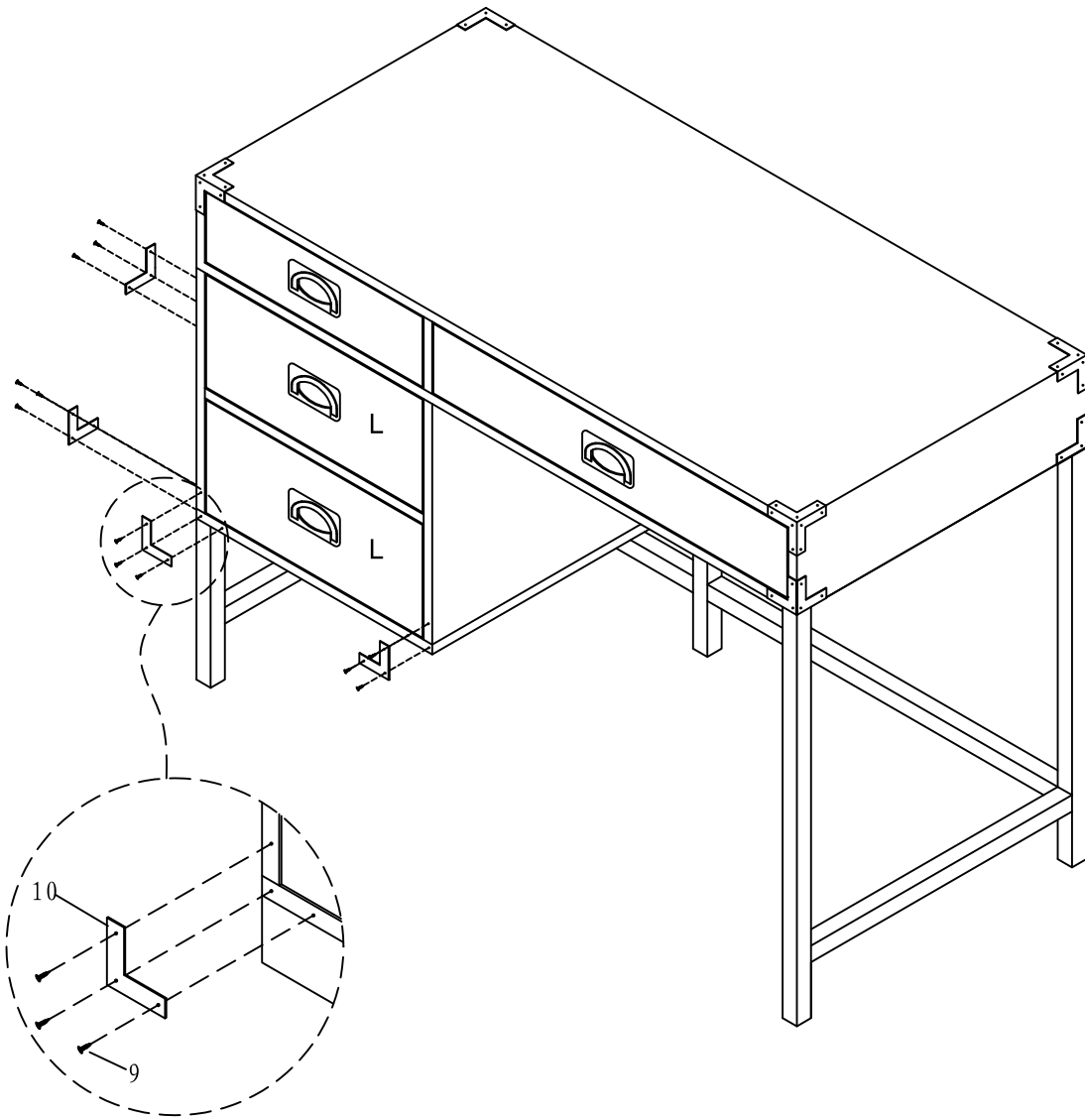
Attach the 2 Inner Slide(7) to Drawer Right/Left Side (M/N) using 6 Screws(5) and tighten.

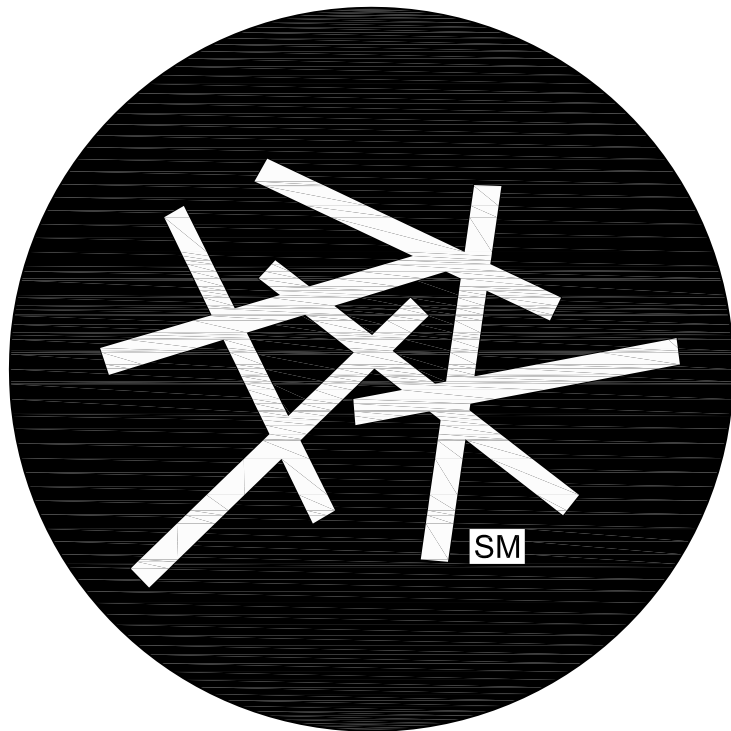


STEP-BY-STEP ASSEMBLY:

STEP 12: Attach Paster

Attach the 4 Paster(10) to Body as shown using 12 Screws(9) and tighten.





For assistance with assembly, please contact customer service
1-888-880-4884

