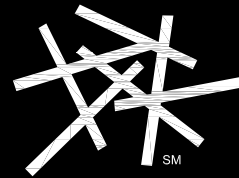
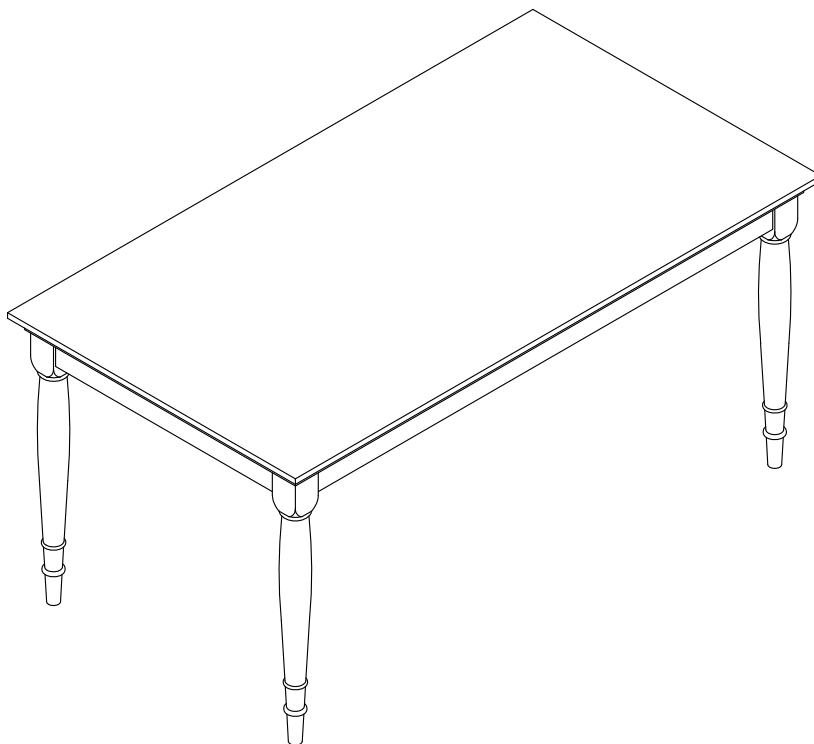


hayneedle



ITEM NAME:Durham Dining Table
SKU:CHIS151-1,CHIS153-1



For assistance with assembly, please contact
Hayneedle Customer Care Center
1-888-880-4884

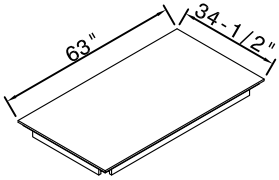
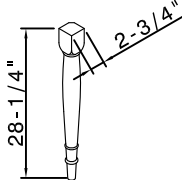
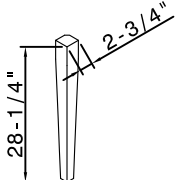
PRE-ASSEMBLY PREPARATION:



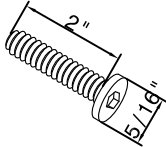

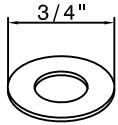
THIS PACKAGE MAY CONTAIN SMALL ITEMS WHICH SHOULD BE KEPT AWAY FROM CHILDREN

- Please check that all parts and hardware are included before beginning assembly.
- Save all packing materials until assembly is complete to avoid accidentally discarding smaller parts or hardware.
- Read through the preparation and assembly instructions in full before beginning assembly.
- Please use CAUTION AND CARE WHEN LIFTING the product to avoid personal injury and (or) damage to the product.
- The following additional tools are required for assembly: Phillips head screwdriver, flat head screwdriver and rubber mallet.
- For ease of assembly, two adults are recommended.


PARTS AND FITTINGS IDENTIFICATION:

 <p>Top Frame(A) Qty: 1</p>	 <p>Feet(B) Qty: 4</p>	 <p>Feet(C) Qty: 4</p>
---------------------------------------------------------------------------------------------------------------	----------------------------------------------------------------------------------------------------------	------------------------------------------------------------------------------------------------------------

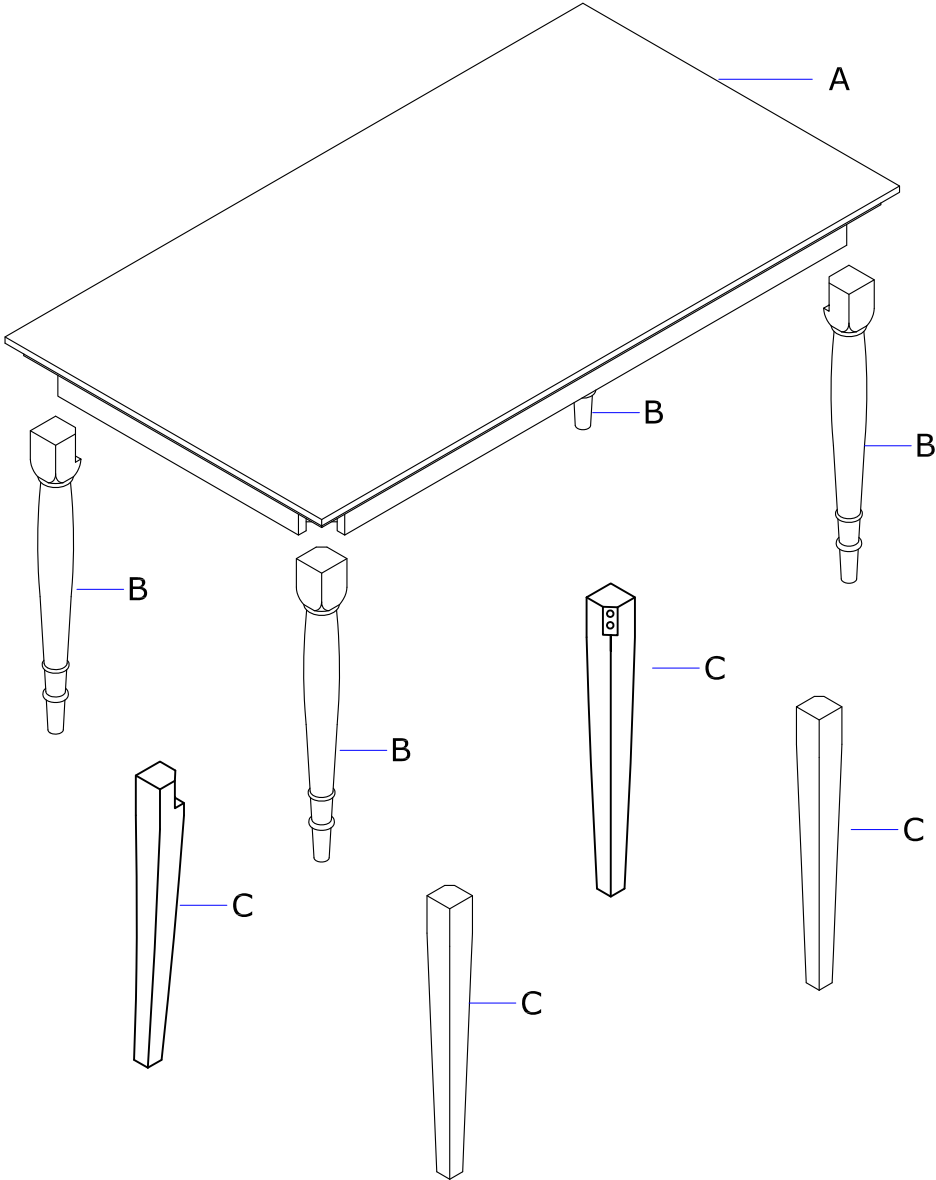
HARDWARE LIST:

 <p>Bolt (1) Qty: 4</p>	 <p>Spring Washer (2) Qty: 4</p>	 <p>Flat Washer (3) Qty: 4</p>	
------------------------------------------------------------------------------------------------------------	---------------------------------------------------------------------------------------------------------------------	--------------------------------------------------------------------------------------------------------------------	--

TOOL LIST:

 <p>Allen Wrench Qty: 1</p>			
----------------------------------------------------------------------------------------------------------------	--	--	--

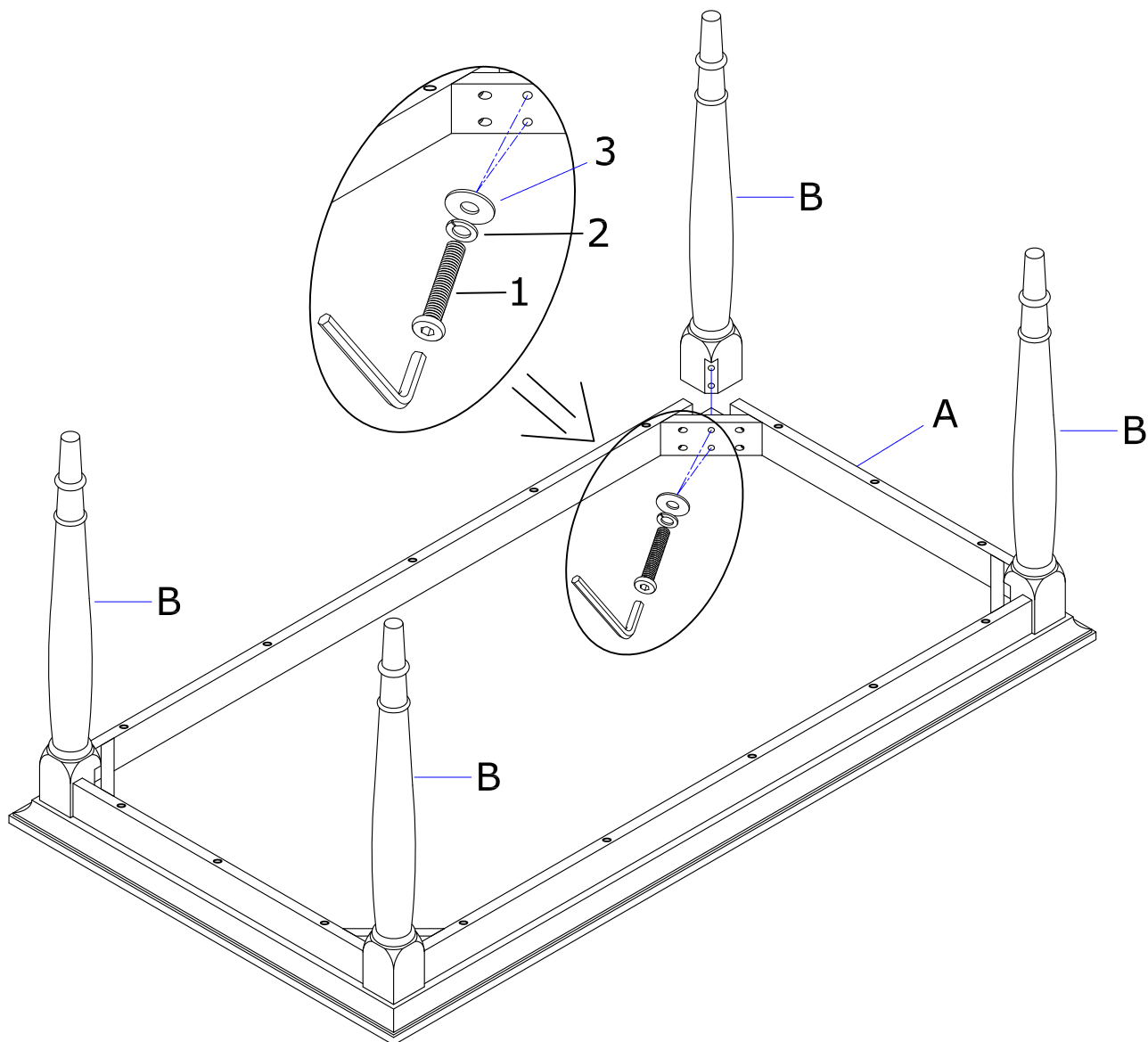
STRUCTURAL DIAGRAM:



STEP-BY-STEP ASSEMBLY:

STEP 1: Attach the Feet to Top Frame.

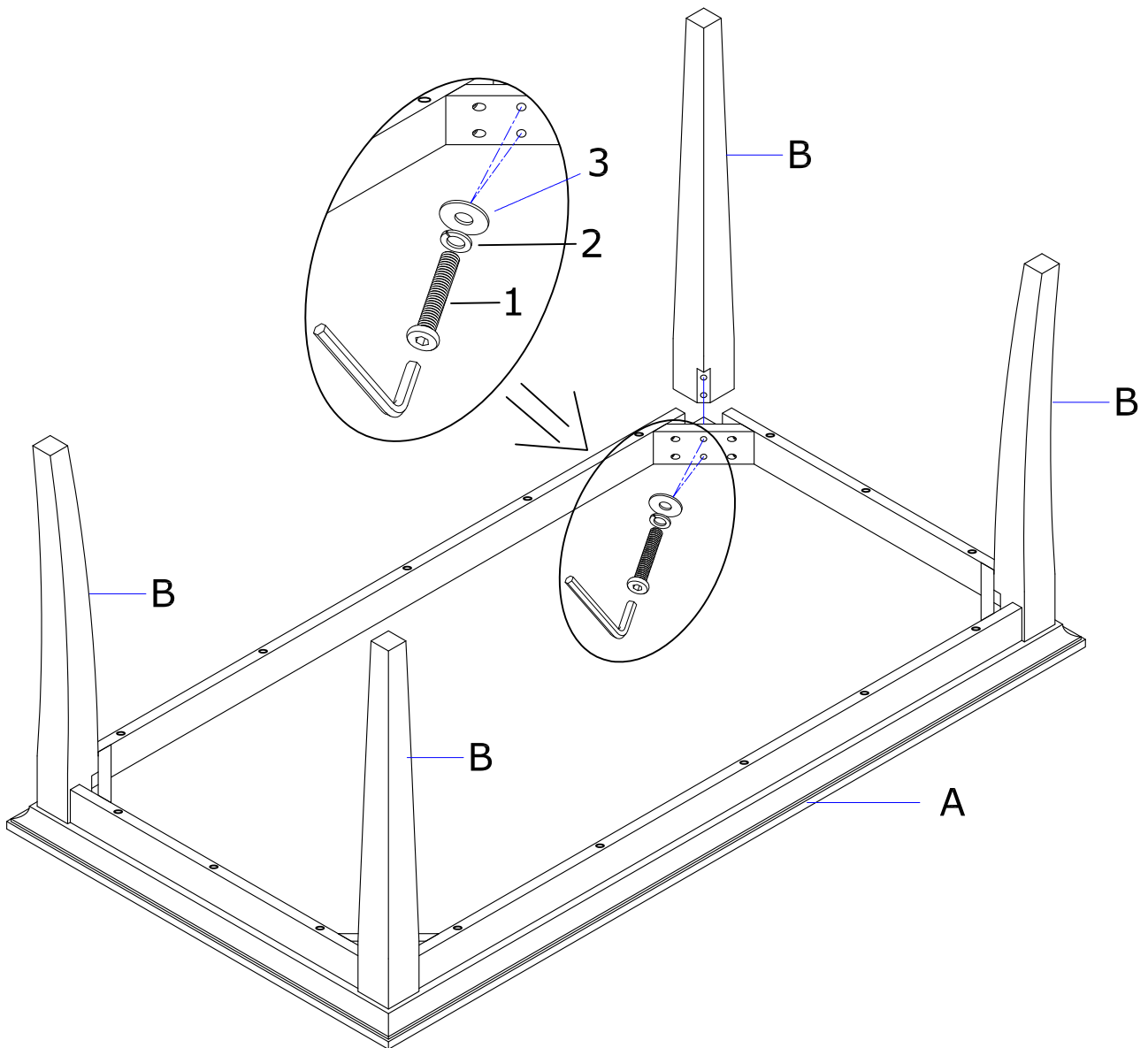
Attach the 4 Feet(B) to Face Frame(A) using 8 Bolts(1) and 8 Spring Washers (2) and 8 Flat Washers(3) and tighten by Allen Wench.



STEP-BY-STEP ASSEMBLY:

STEP 2: Attach the Feet to Top Frame.

Attach the four 4(C) to Face Frame(A) using 8 Bolts(1) and 8 Spring Washers (2) and 8 Flat Washers(3) and tighten by Allen Wench.





For assistance with assembly, please contact customer service
1-888-880-4884