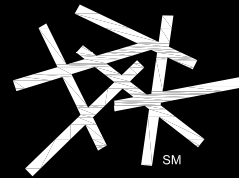
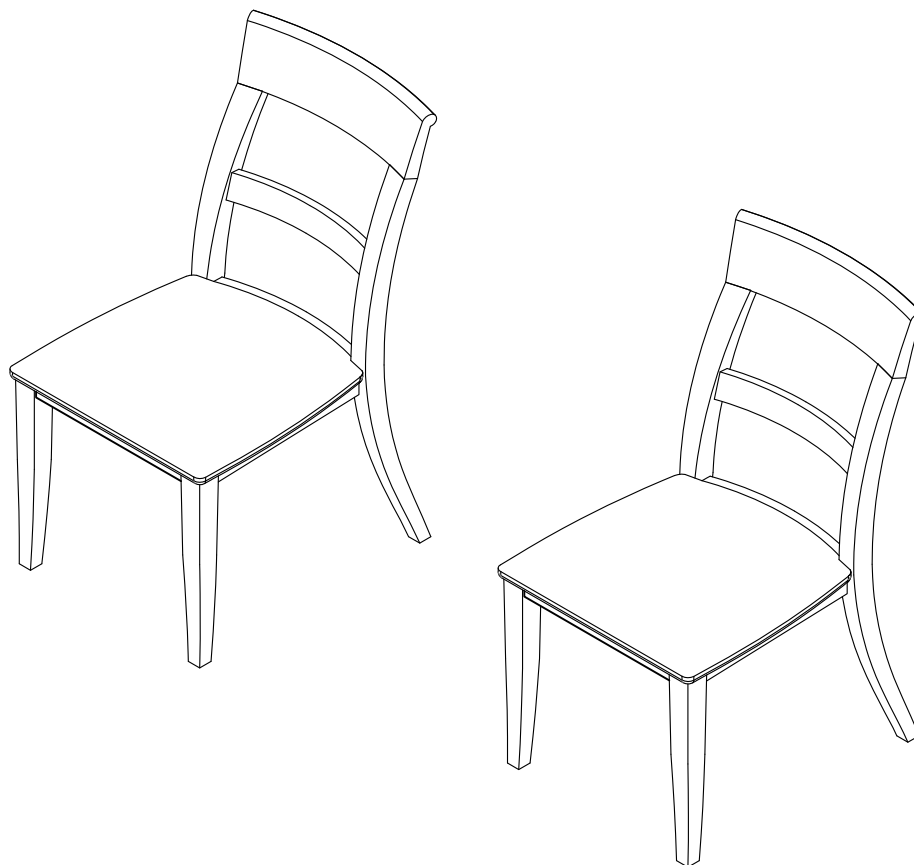


# hayneedle



ITEM NAME:Durham Dining Chair  
SKU:CHIS150-1,CHIS152-1



For assistance with assembly, please contact  
Hayneedle Customer Care Center  
1-888-880-4884

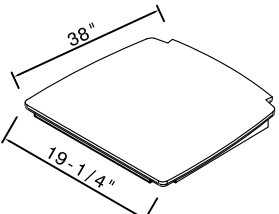
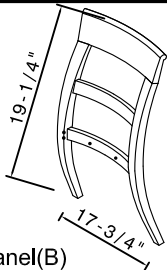
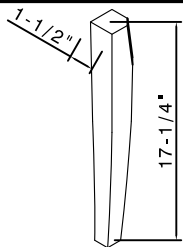
## PRE-ASSEMBLY PREPARATION:



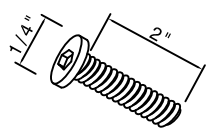
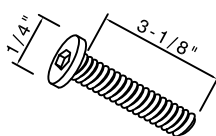
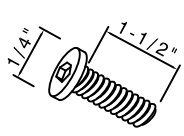
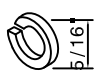
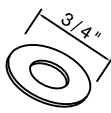
THIS PACKAGE MAY CONTAIN SMALL ITEMS WHICH SHOULD BE KEPT AWAY FROM CHILDREN

- Please check that all parts and hardware are included before beginning assembly.
- Save all packing materials until assembly is complete to avoid accidentally discarding smaller parts or hardware.
- Read through the preparation and assembly instructions in full before beginning assembly.
- Please use CAUTION AND CARE WHEN LIFTING the product to avoid personal injury and (or) damage to the product.
- The following additional tools are required for assembly: Phillips head screwdriver, flat head screwdriver and rubber mallet.
- For ease of assembly, two adults are recommended.


## PARTS AND FITTINGS IDENTIFICATION:

 <p>Seat(A) Qty: 2</p>	 <p>Back Panel(B) Qty: 2</p>	 <p>Leg(C) Qty: 4</p>
--	--	---

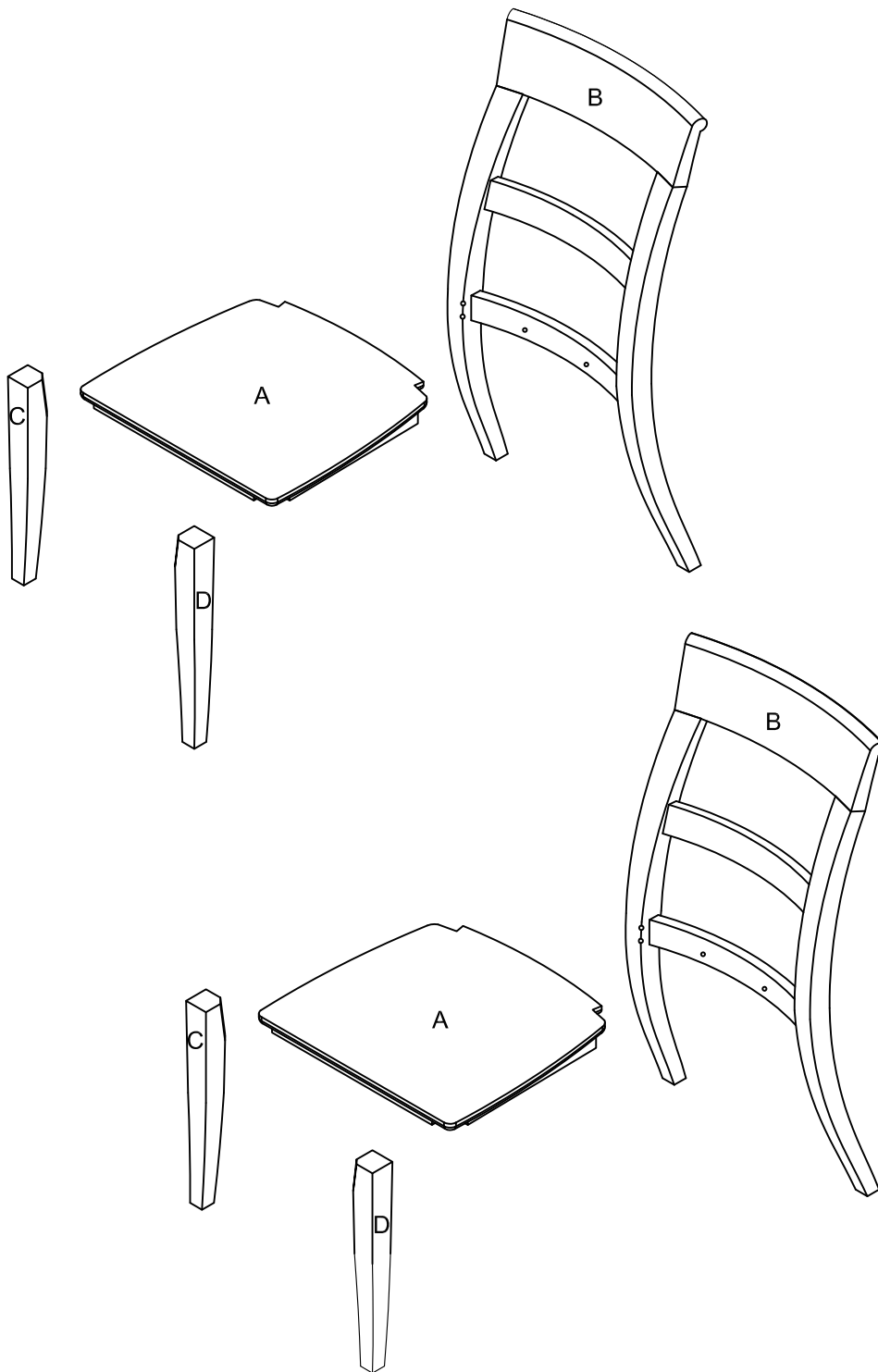
## HARDWARE LIST:

 <p>Bolt (1) Qty: 8</p>	 <p>Bolt (2) Qty: 8</p>	 <p>Bolt (3) Qty: 4</p>	 <p>Spring Washer(4) Qty: 20</p>
 <p>Flat Washer(5) Qty: 20</p>			

## TOOLS REQUIRED:

 <p>ALLEN WRENCH Qty: 2</p>			
--	--	--	--

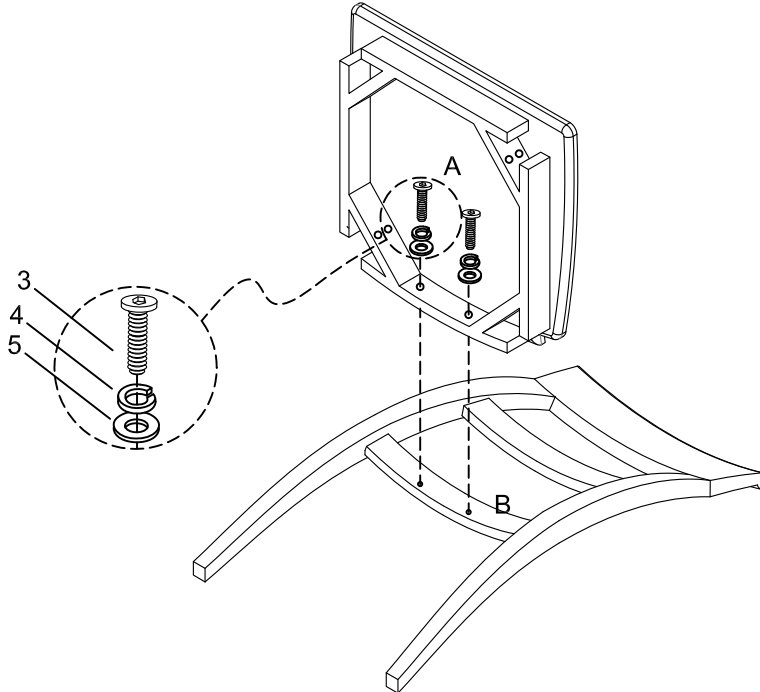
STRUCTURAL DIAGRAM:



## STEP-BY-STEP ASSEMBLY:

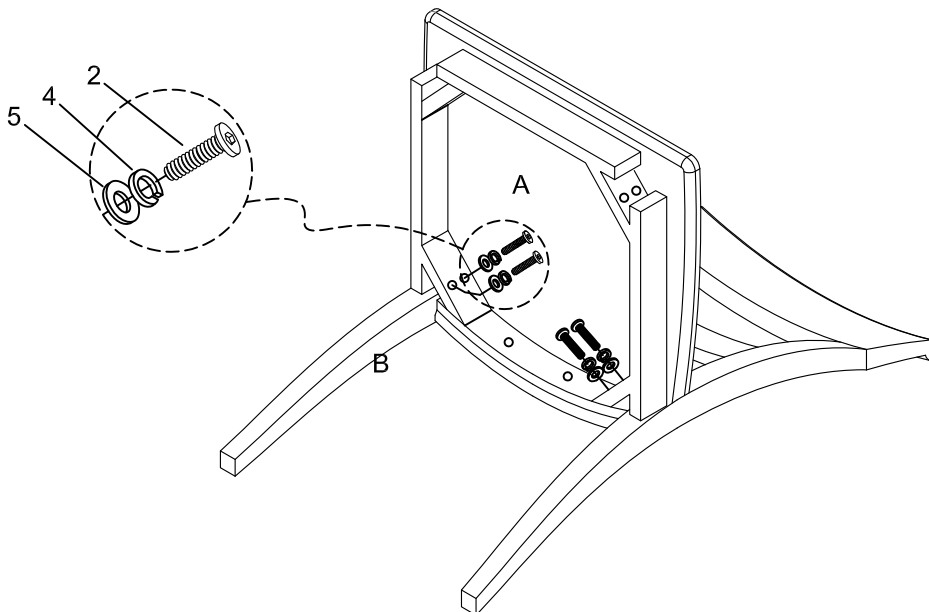
### **STEP 1: Attach Seat to Back Panel.**

Attach the Seat(A) to Back Panel(B) as shown using 2 Bolts(3) and 2 Spring Washer(4) and 2 Flat Washers(5) and tighten by Allen Wrench.



### **STEP 2: Attach Seat to Back Panel.**

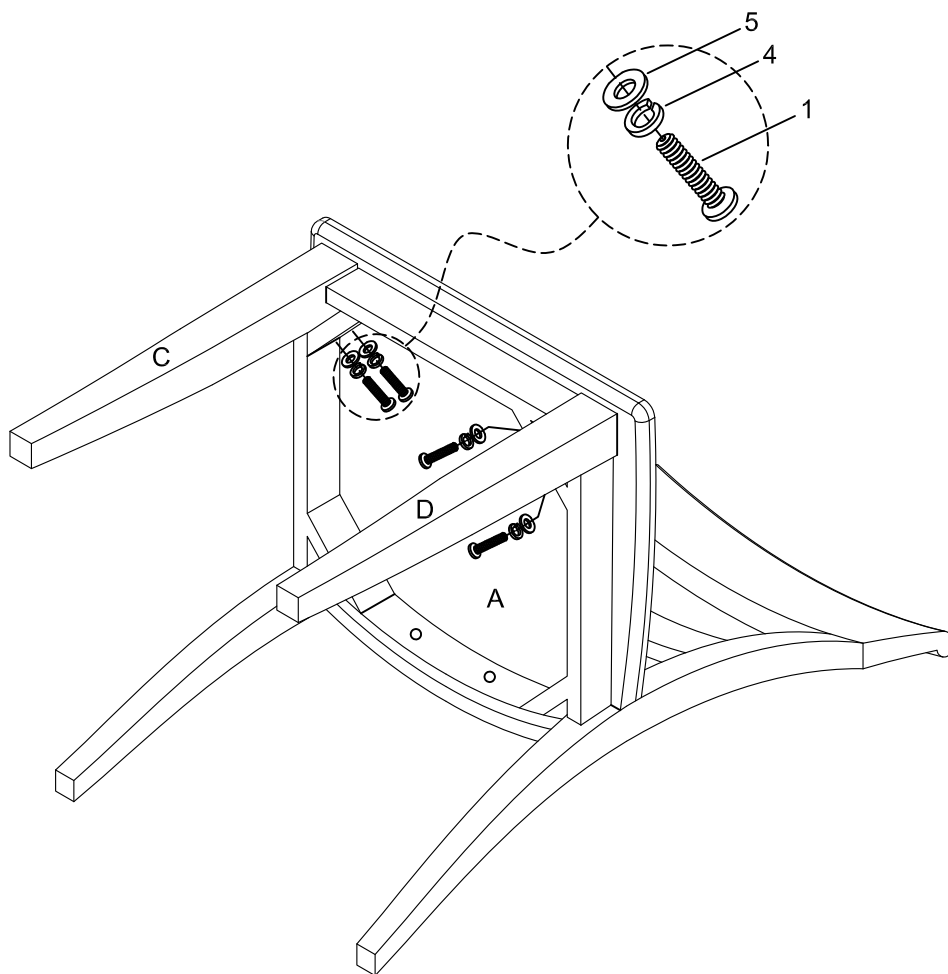
After Such as step 1 using 4 Bolts(2) and 4 Spring Washer(4) and 4 Flat Washers(5) and tighten by Allen Wrench.



## STEP-BY-STEP ASSEMBLY:

### **STEP 3: Attach Left/Right Legs to Seat.**

Attach the Left/Right Legs(C/D) to Seat(A) as shown using 4 Bolts(1) and 4 Spring Washer(4) and 4 Flat Washers(5) and tighten by Allen Wrench.





For assistance with assembly, please contact customer service  
1-888-880-4884