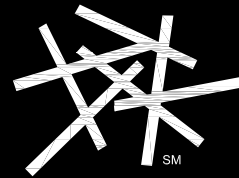
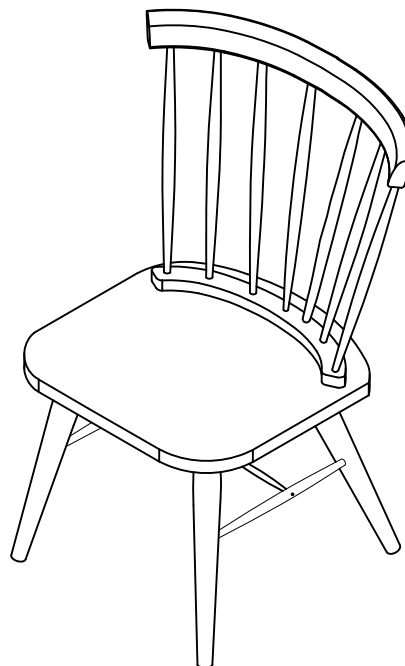
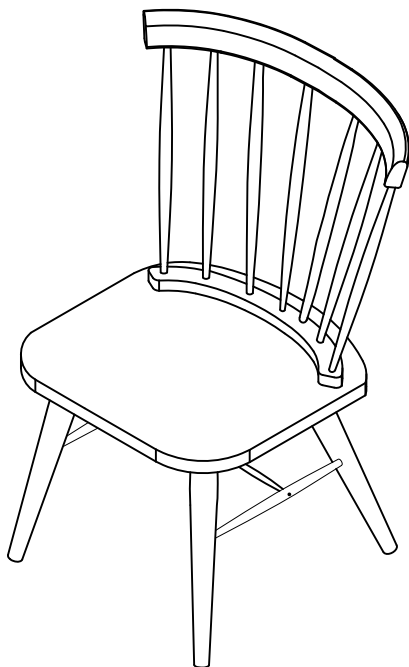


hayneedle



ITEM NAME:Belham Living Windsor Dining Chair
SKU:CHIS149-1,CHIS149-2,CHIS149-3,CHIS149-4



For assistance with assembly, please contact
Hayneedle Customer Care Center
1-888-880-4884

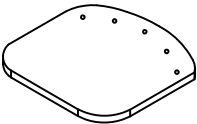

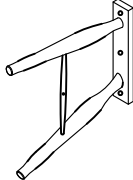
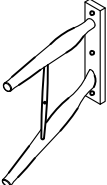
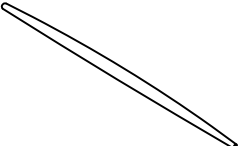
PRE-ASSEMBLY PREPARATION:



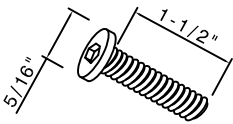


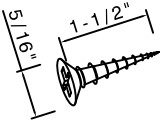
THIS PACKAGE MAY CONTAIN SMALL ITEMS WHICH SHOULD BE KEPT AWAY FROM CHILDREN

- Please check that all parts and hardware are included before beginning assembly.
- Save all packing materials until assembly is complete to avoid accidentally discarding smaller parts or hardware.
- Read through the preparation and assembly instructions in full before beginning assembly.
- Please use CAUTION AND CARE WHEN LIFTING the product to avoid personal injury and (or) damage to the product.
- The following additional tools are required for assembly: Phillips head screwdriver, flat head screwdriver and rubber mallet.
- For ease of assembly, two adults are recommended.


PARTS AND FITTINGS IDENTIFICATION:

 <p>Seat(A) Qty: 2</p>	 <p>Back Panel(B) Qty: 2</p>	 <p>Left Leg(C) Qty: 2</p>
 <p>Right Leg(D) Qty: 2</p>	 <p>Stretcher(E) Qty: 2</p>	

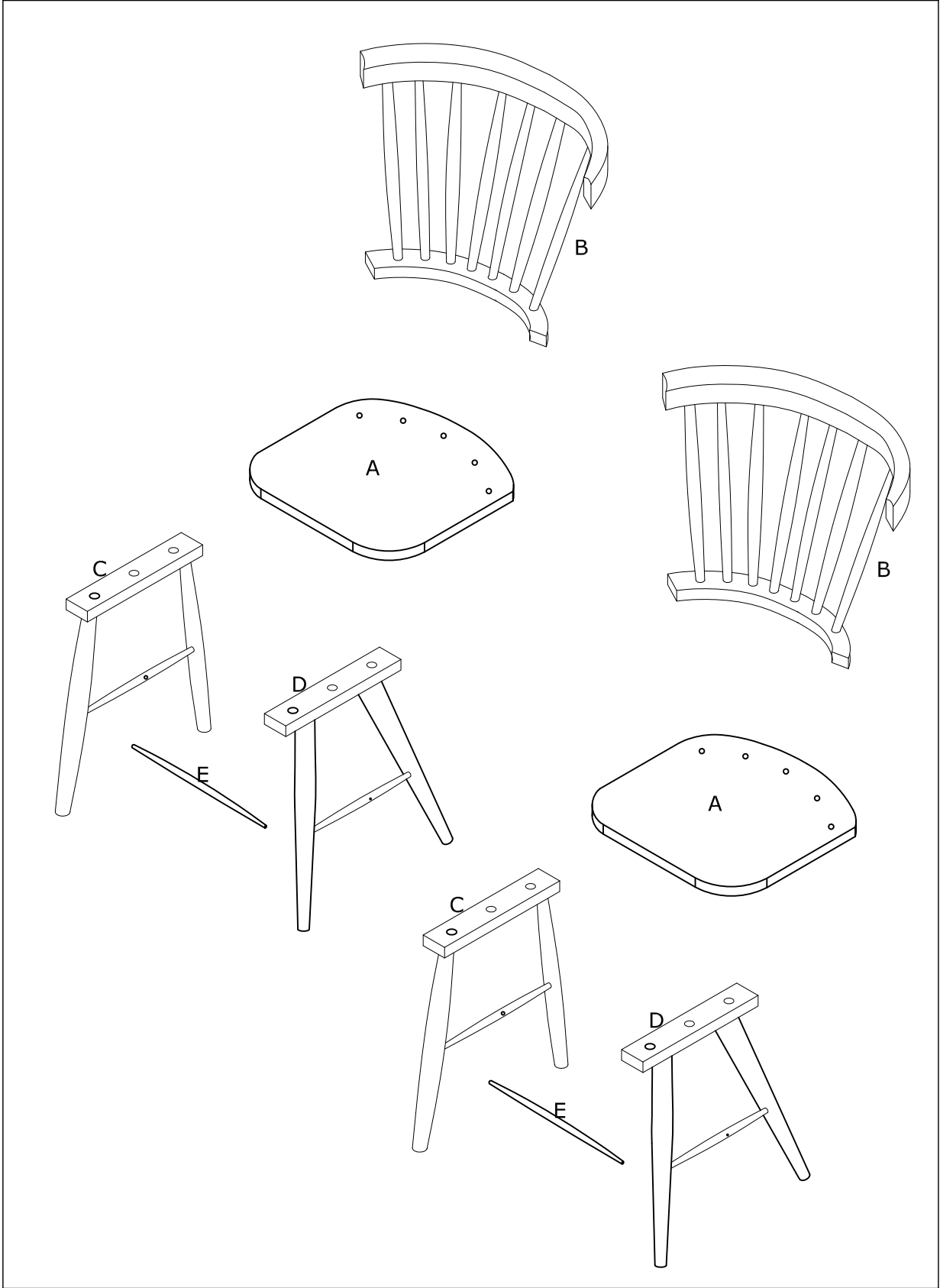
HARDWARE LIST:

 <p>Bolt (1) Qty: 22</p>	 <p>Spring Washer(2) Qty: 22</p>	 <p>Flat Washer(3) Qty: 22</p>	 <p>Screws(4) Qty: 4</p>
---	---	--	---

TOOLS REQUIRED:

 <p>ALLEN WRENCH Qty: 2</p>			
--	--	--	--

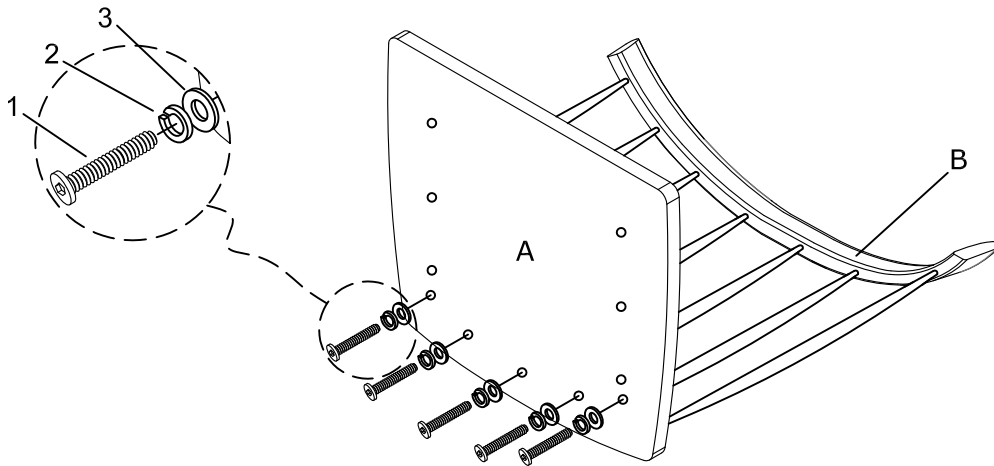
STRUCTURAL DIAGRAM:



STEP-BY-STEP ASSEMBLY:

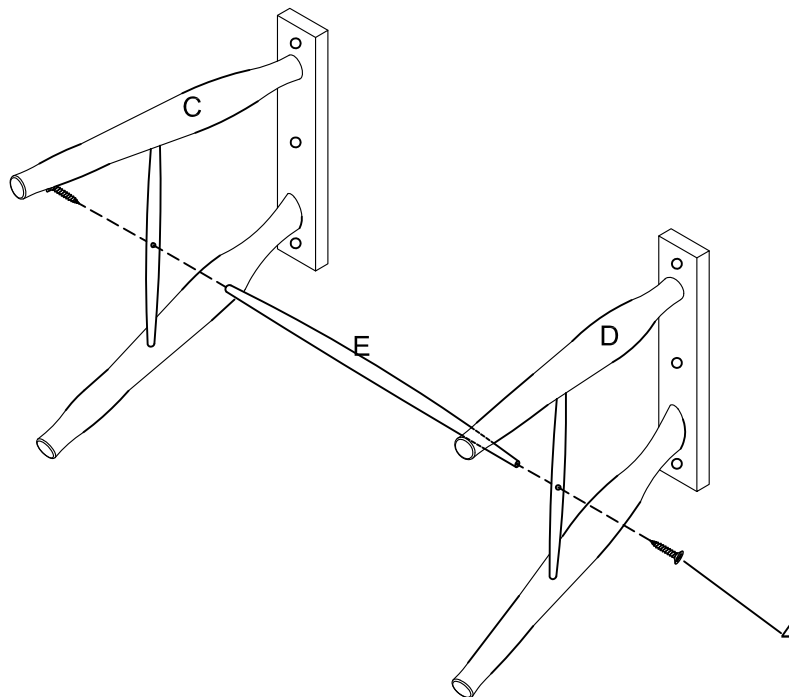
STEP 1: Attach Seat to Back Panel.

Attach the Seat(A) to Back Panel(B) as shown using 5 Bolts(1) and 5 Spring Washer(2) and 5 Flat Washers(3) and tighten by Allen Wrench.



STEP 2: Attach Stretcher to Left/Right Legs.

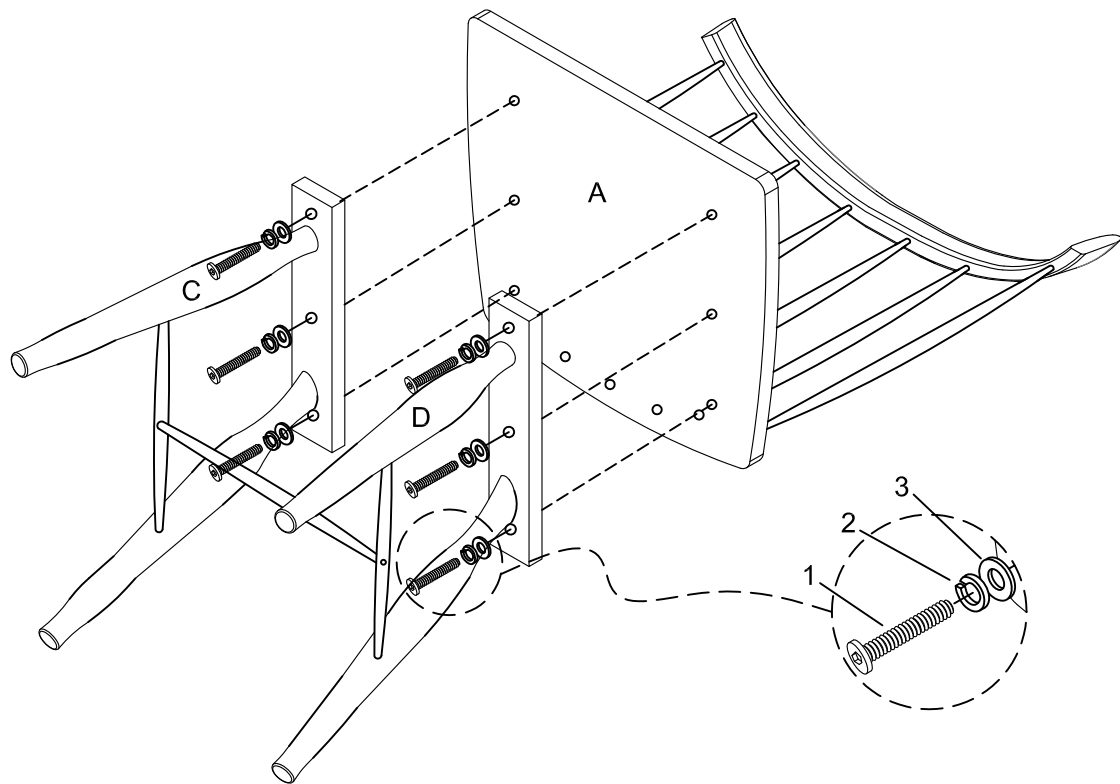
Attach the Stretcher(E) to Left/Right Legs(C/D) using 2 Screws(4) as shown.



STEP-BY-STEP ASSEMBLY:

STEP 3: Attach Left/Right Legs to Seat.

Attach the Left/Right Legs(C/D) to Seat(A) as shown using 6 Bolts(1) and 6 Spring Washer(2) and 6 Flat Washers(3) and tighten by Allen Wrench.





For assistance with assembly, please contact customer service
1-888-880-4884