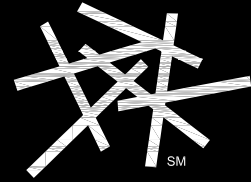
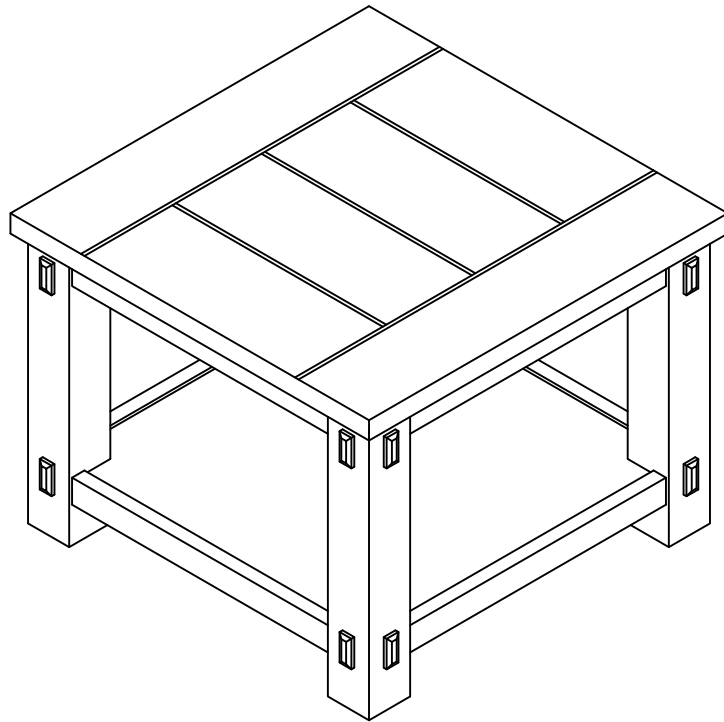


hayneedle



ITEM NAME: Belham Living Bartlett Square End Table with Panels

SKU: CHIS033-1、CHIS131-1



For assistance with assembly, please contact
Hayneedle Customer Care Center
1-888-880-4884

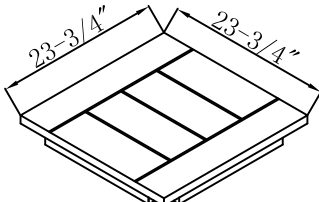
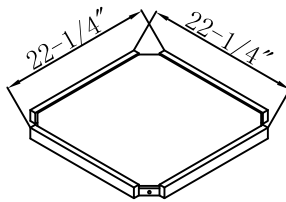
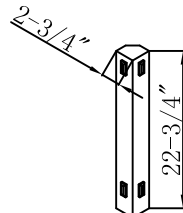
PRE-ASSEMBLY PREPARATION:



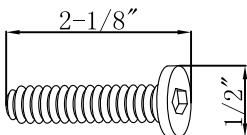

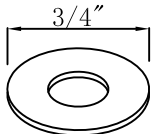
THIS PACKAGE MAY CONTAIN SMALL ITEMS WHICH SHOULD BE KEPT AWAY FROM CHILDREN

- Please check that all parts and hardware are included before beginning assembly.
- Save all packing materials until assembly is complete to avoid accidentally discarding smaller pieces or hardware.
- Read through the preparation and assembly instructions in full before beginning assembly.
- Please use CAUTION AND CARE WHEN LIFTING the product to avoid personal injury and (or) damage to the product.
- For ease of assembly, two adults are recommended.

PARTS AND FITTINGS IDENTIFICATION:

 <p>Top Panel (A) Qty: 1</p>	 <p>Shelf (B) Qty: 1</p>	 <p>Foot (C) Qty: 4</p>
--	--	---

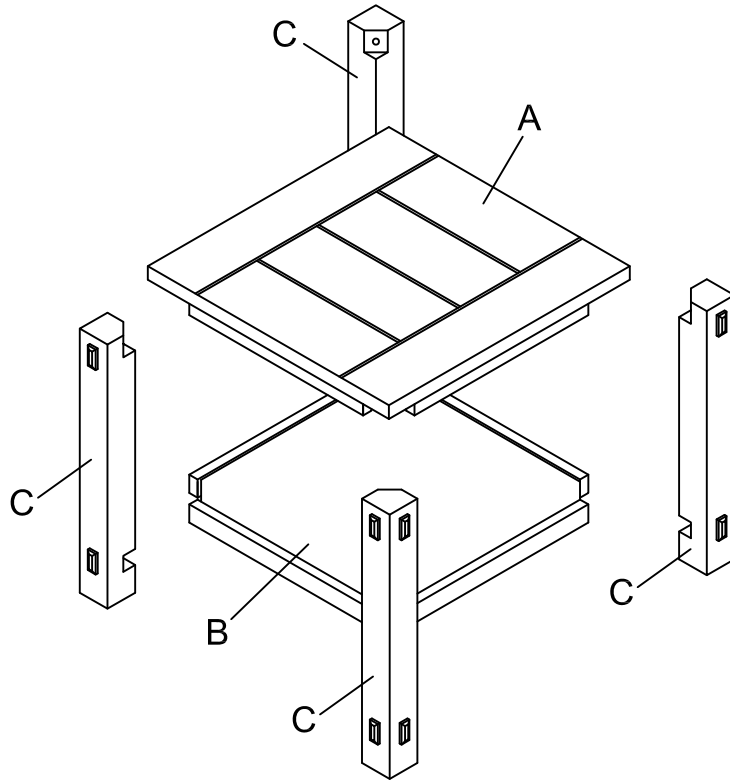
HARDWARE LIST:

 <p>Bolt (1) Qty: 8</p>	 <p>Spring Washer (2) Qty: 8</p>	 <p>Flat Washer (3) Qty: 8</p>
--	---	---

TOOLS REQUIRED:

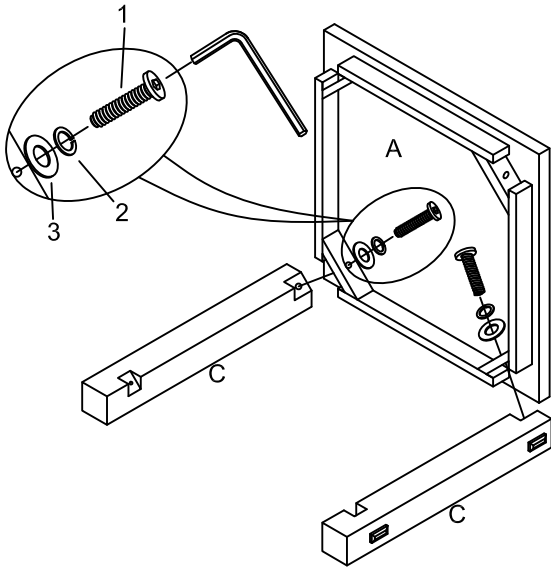
 <p>Allen Wrench Qty: 1</p>		
--	--	--

STRUCTURAL DIAGRAM:

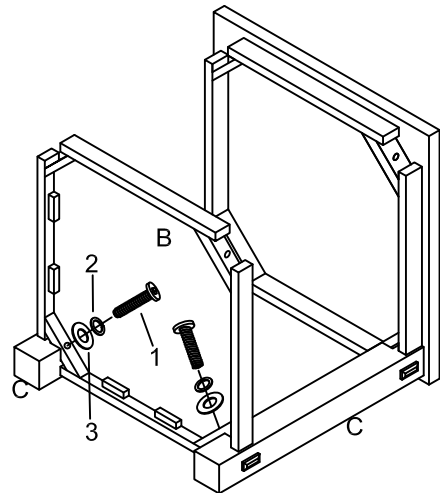


STEP-BY-STEP ASSEMBLY:

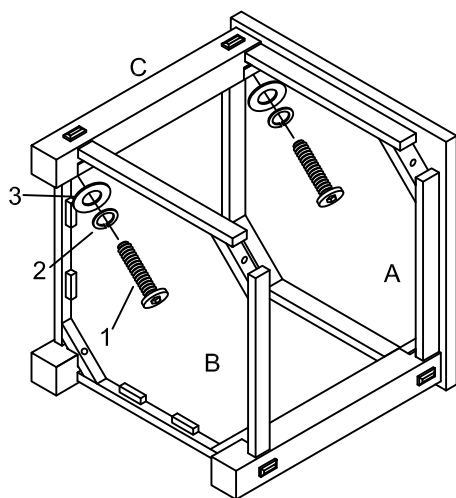
STEP 1: Attach the Feet(C) to Top Panel(A) using 2 Bolts(1), 2 Spring Washer(2) and 2 Flat Washer(3).



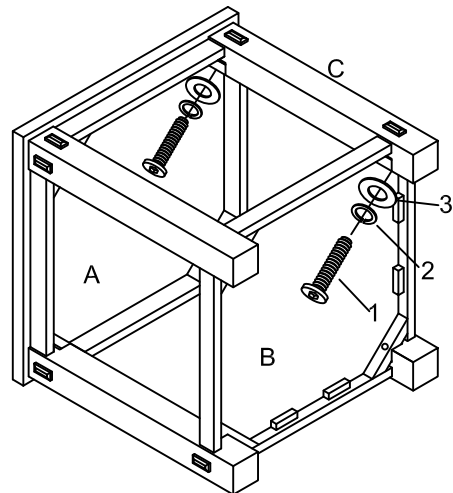
STEP 2: Attach the Shelf(B) to Feet(C) using 2 Bolts(1), 2 Spring Washer(2) and 2 Flat Washer(3).



STEP 3: Attach the Foot(C) to Top Panel(A) and Shelf(B) using 2 Bolts(1), 2 Spring Washer(2) and 2 Flat Washer(3).



STEP 4: Attach the Foot(C) to Top Panel(A) and Shelf(B) using 2 Bolts(1), 2 Spring Washer(2) and 2 Flat Washer(3).





For assistance with assembly, please contact customer service
1-888-880-4884