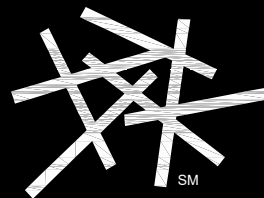
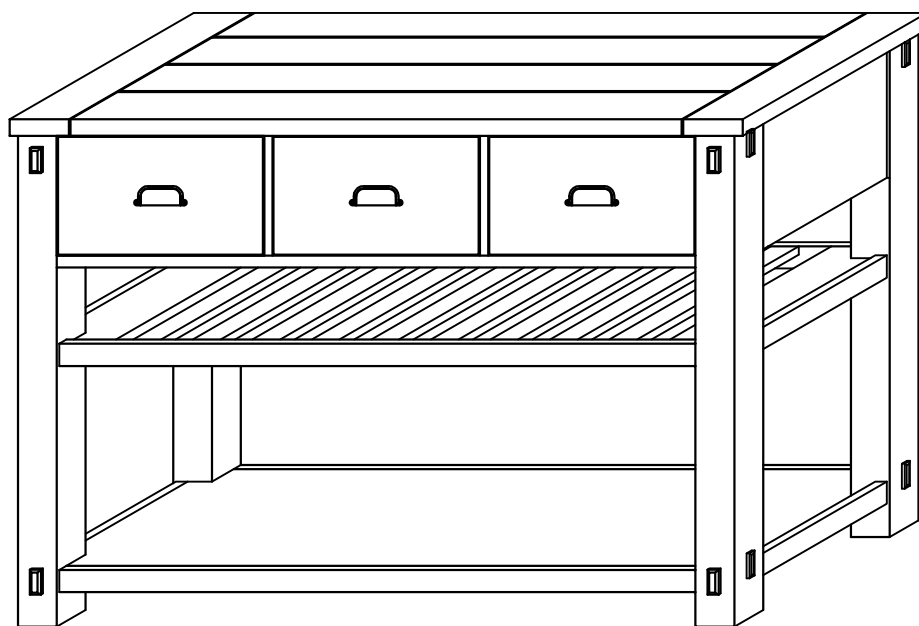


hayneedle



ITEM NAME:Belham Living Bartlett Buffet
SKU:CHIS120-1



For assistance with assembly, please contact
Hayneedle Customer Care Center
1-888-880-4884

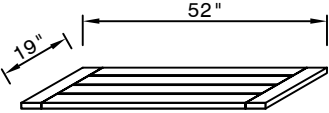
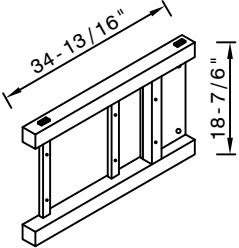
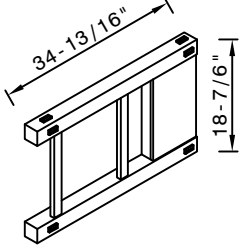
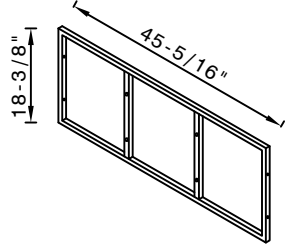
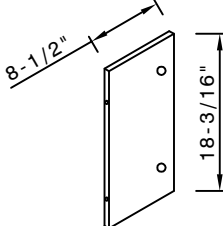
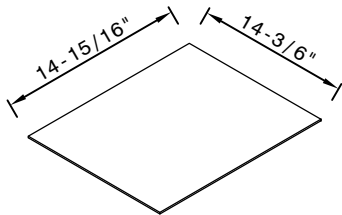
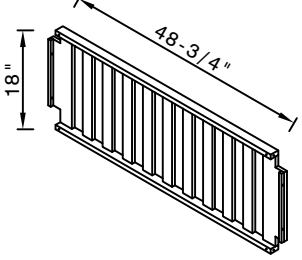
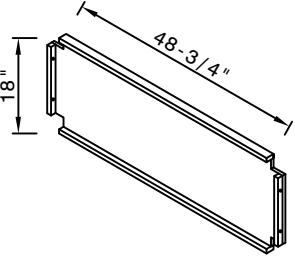
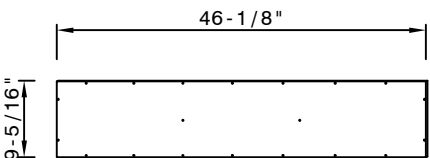
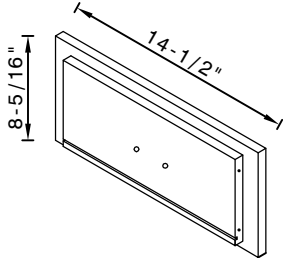
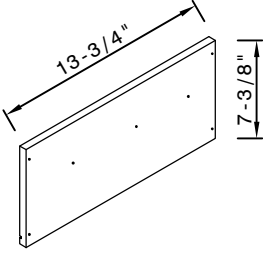
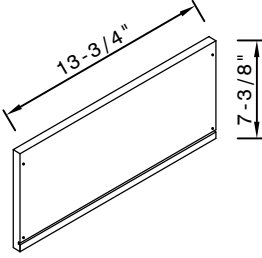
PRE-ASSEMBLY PREPARATION:



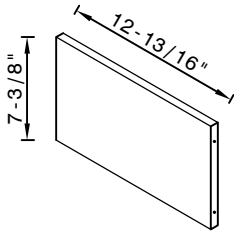
THIS PACKAGE MAY CONTAIN SMALL ITEMS WHICH SHOULD BE KEPT AWAY FROM CHILDREN

- Please check that all parts and hardware are included before beginning assembly.
- Save all packing materials until assembly is complete to avoid accidentally discarding smaller parts or hardware.
- Read through the preparation and assembly instructions in full before beginning assembly.
- Please use CAUTION AND CARE WHEN LIFTING the product to avoid personal injury and (or) damage to the product.
- The following additional tools are required for assembly: Phillips head screwdriver, flat head screwdriver and rubber mallet.
- For ease of assembly, two adults are recommended.

PARTS AND FITTINGS IDENTIFICATION:

 <p>Top Panel (A) Qty: 1</p>	 <p>Left Side Panel (B) Qty: 1</p>	 <p>Right Side Panel (C) Qty: 1</p>
 <p>Frame (D) Qty: 1</p>	 <p>Divider (E) Qty: 2</p>	 <p>Drawer Bottom (F) Qty: 3</p>
 <p>Open Shelf (G) Qty: 1</p>	 <p>Bottom Shelf (H) Qty: 1</p>	 <p>Back Panel (I) Qty: 1</p>
 <p>Drawer Front (J) Qty: 3</p>	 <p>Drawer Left Side (K) Qty: 3</p>	 <p>Drawer Right Side (L) Qty: 3</p>

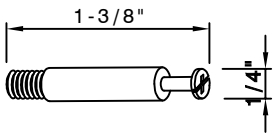
PARTS AND FITTINGS IDENTIFICATION:



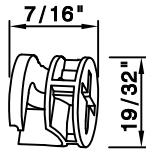
Drawer Back (M)

Qty: 3

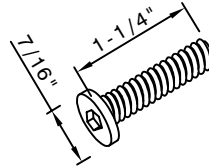
HARDWARE LIST:



Cam-Bolt(1) Qty:8



Cam-Lock(2) Qty:8



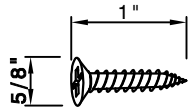
Bolt(3) Qty:16



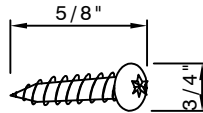
Spring Washer(4) Qty: 16



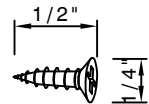
Flat Washer(5) Qty: 16



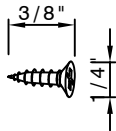
Screw(6) Qty: 24



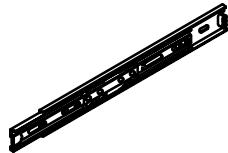
Screw(7) Qty: 20



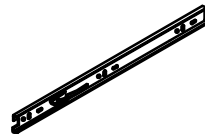
Screw(8) Qty: 24



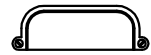
Screw(9) Qty: 12



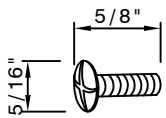
Outer Slide(10) Qty: 6



Inner Slide(11) Qty: 6



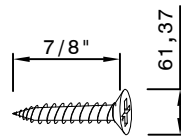
Handle(12) Qty:3



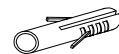
Handle Screw(13) Qty: 6



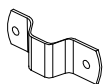
Plastic Belt(14) Qty: 2



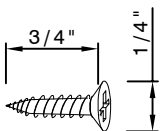
Long Screw(15) Qty: 4



Anchor(16) Qty: 4

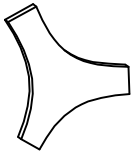


Bracket(17) Qty: 4



Short Screw(18) Qty: 4

TOOLS REQUIRED:



Cam-Tool

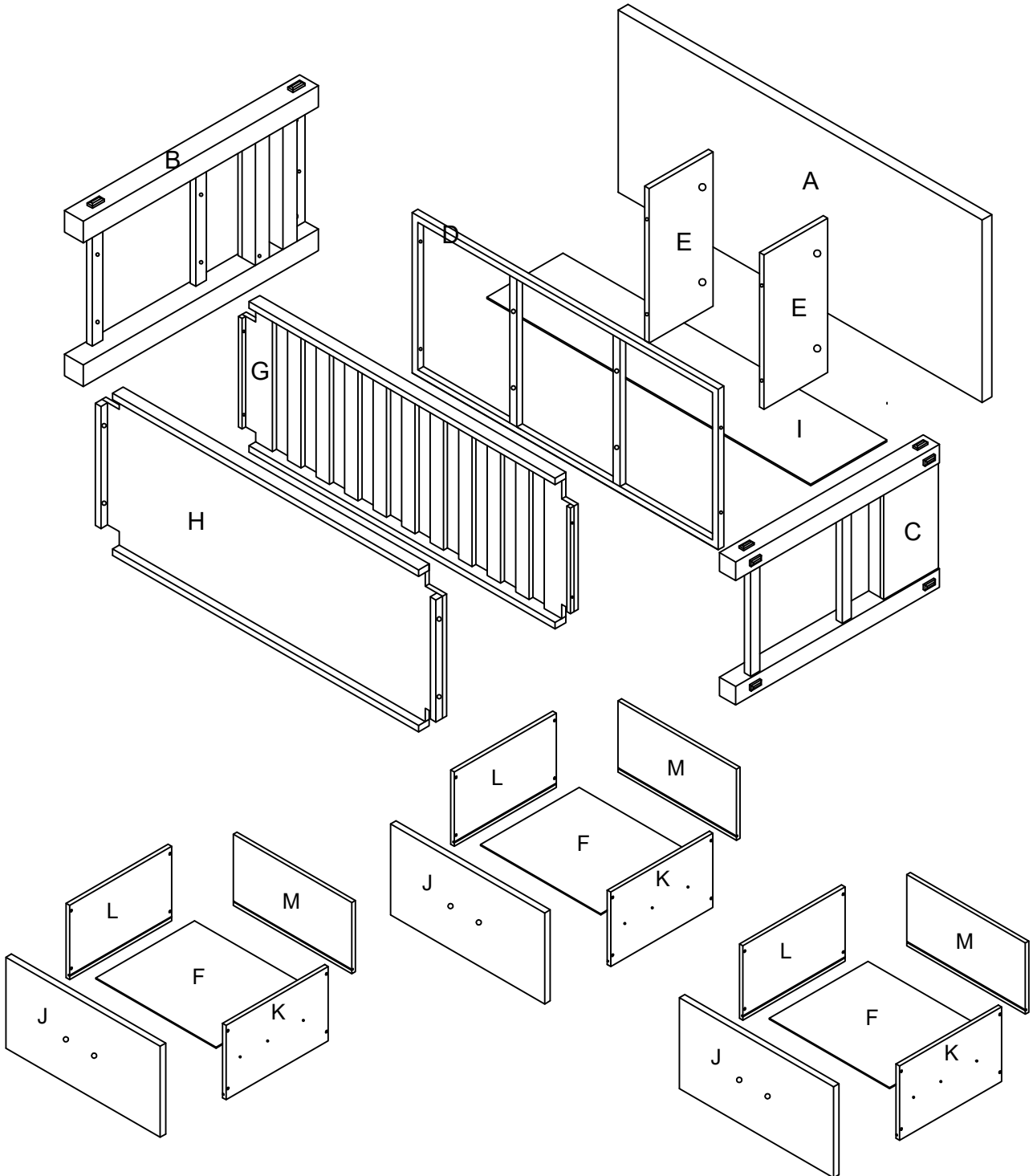
Qty: 1



ALLEN WRENCH

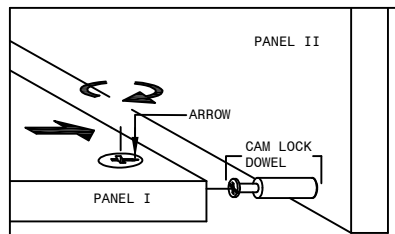
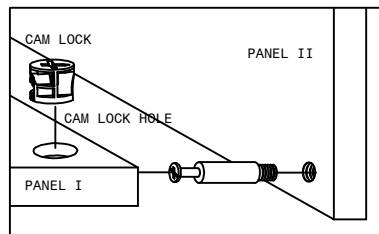
Qty: 1

STRUCTURAL DIAGRAM:



CAM-LOCK INSTRUCTION

This product is assembled with a cam lock set



STEP 1: Insert Cam Lock into the cam lock hole of Panel I. Cam lock arrow should be pointing towards the cam lock dowel insertion hole.

STEP 2: Insert the cam lock dowel into Panel II.

STEP 3: Connect Panel I and Panel II by inserting the cam lock dowel through the hole to which the cam lock arrow is pointing.

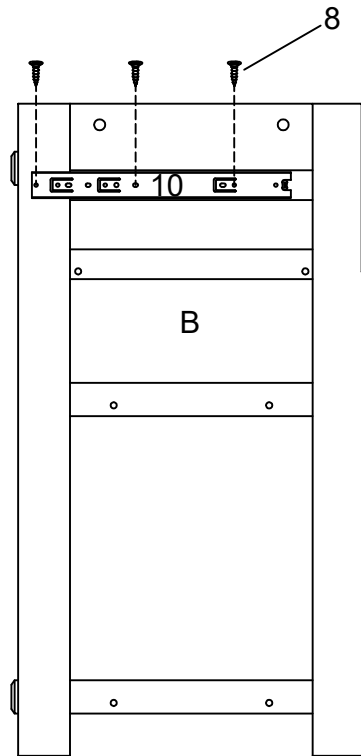
STEP 4: Press panel I and Panel II together.

STEP 5: Lock panels together by turning cam lock clockwise. The cam lock and dowel should make a click sound, indicating they are locked together.

STEP-BY-STEP ASSEMBLY:

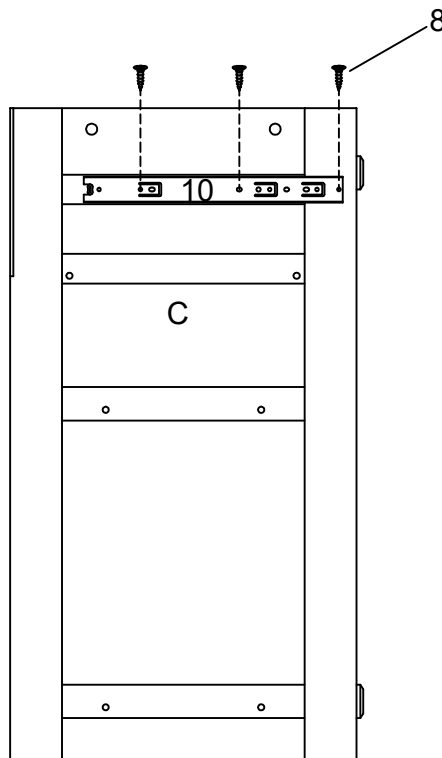
STEP 1: Attach Outer Slide.

Attach the Outer Slide(10) to the Left Side Panel(B) using 3 Screws(8) and tighten.



STEP 2: Attach Outer Slide.

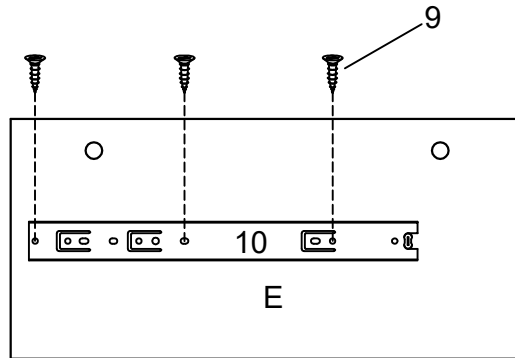
Attach the Outer Slide(10) to the Right Side Panel(C) using 3 Screws(8) and tighten.



STEP-BY-STEP ASSEMBLY:

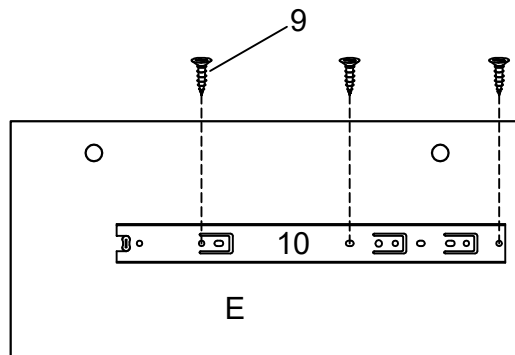
STEP 3: Attach Outer Slide.

Attach the Outer Slide(10) to the Divider(E) using 3 Screws(9) and tighten.



STEP 4: Attach Outer Slide.

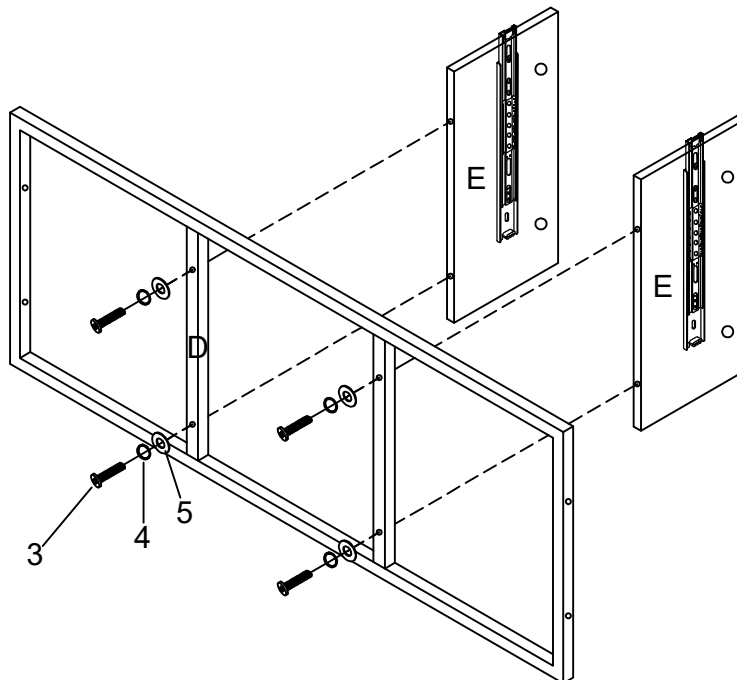
Attach the Outer Slide(10) to the Divider(E) using 3 Screws(9) and tighten.



STEP-BY-STEP ASSEMBLY:

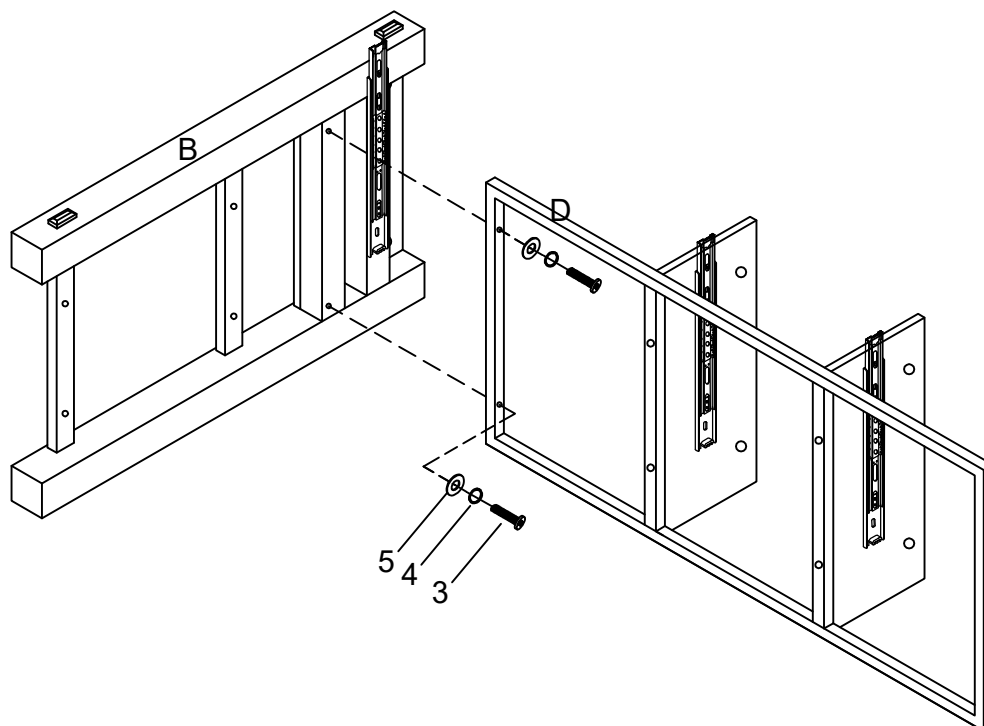
STEP 5: Attach Divider to Frame.

Attach the Divider(E) to the Frame(D) using 4 Bolts(3) and 4 Spring Washers (4) and 4 Flat Washers(5) and tighten by Allen Wrench.



STEP 6: Attach Frame to Left Side Panel.

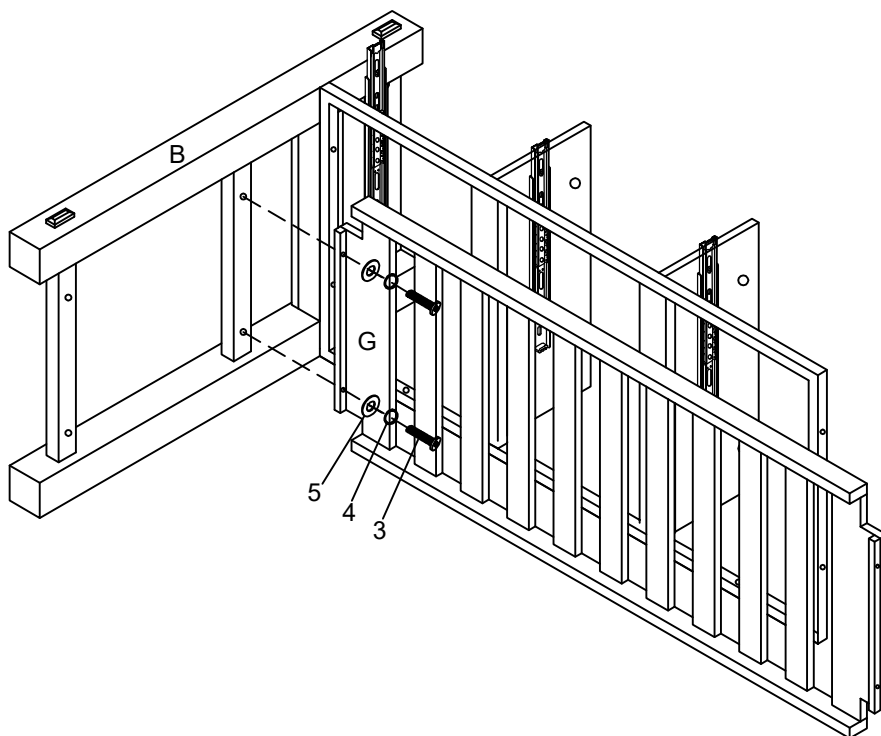
Attach the Frame(D) to the Left Side Panel(B) using 2 Bolts(3) and 2 Spring Washers (4) and 2 Flat Washers(5) and tighten by Allen Wrench.



STEP-BY-STEP ASSEMBLY:

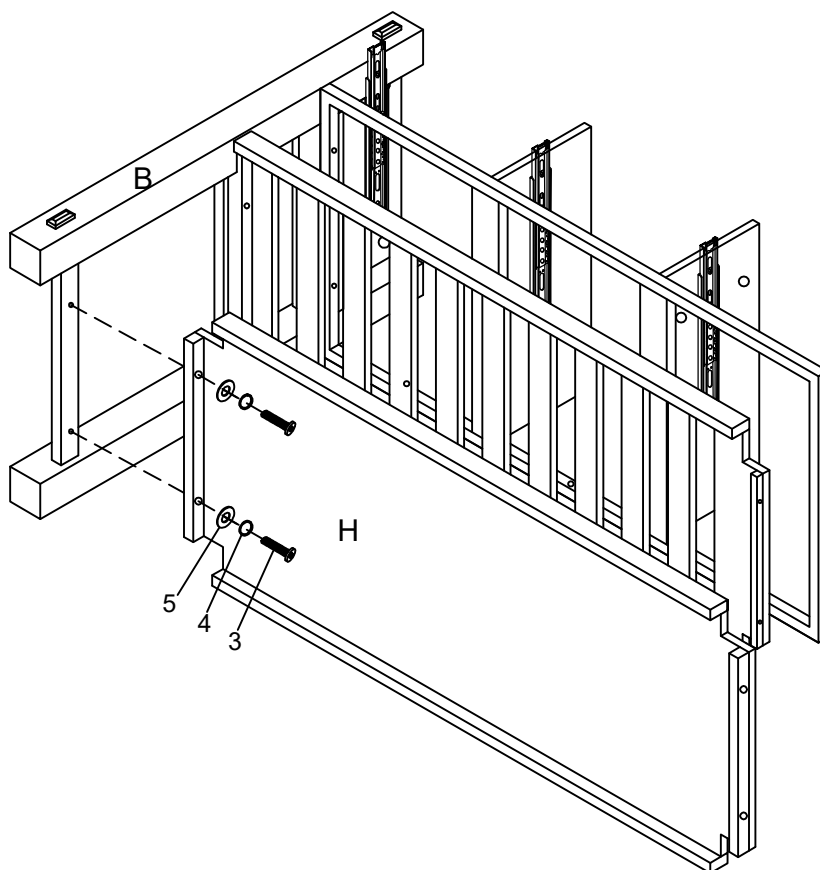
STEP 7: Attach Open Shelf to Left Side Panel.

Attach the Open Shelf(G) to the Left Side (B) using 2 Bolts(3) and 2 Spring Washers (4) and 2 Flat Washers(5) and tighten by Allen Wrench.



STEP 8: Attach Bottom Shelf to Left Side Panel.

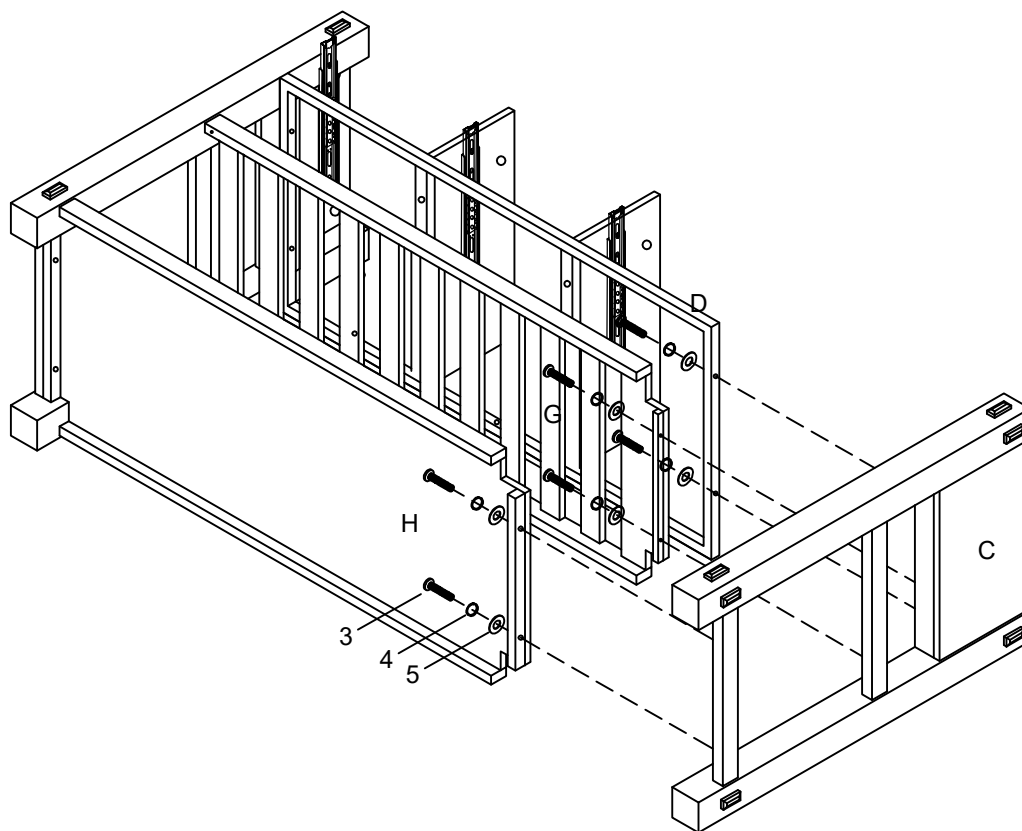
Attach the Bottom Shelf(H) to the Left Side Panel(B) using 2 Bolts(3) and 2 Spring Washers (4) and 2 Flat Washers(5) and tighten by Allen Wrench.



STEP-BY-STEP ASSEMBLY:

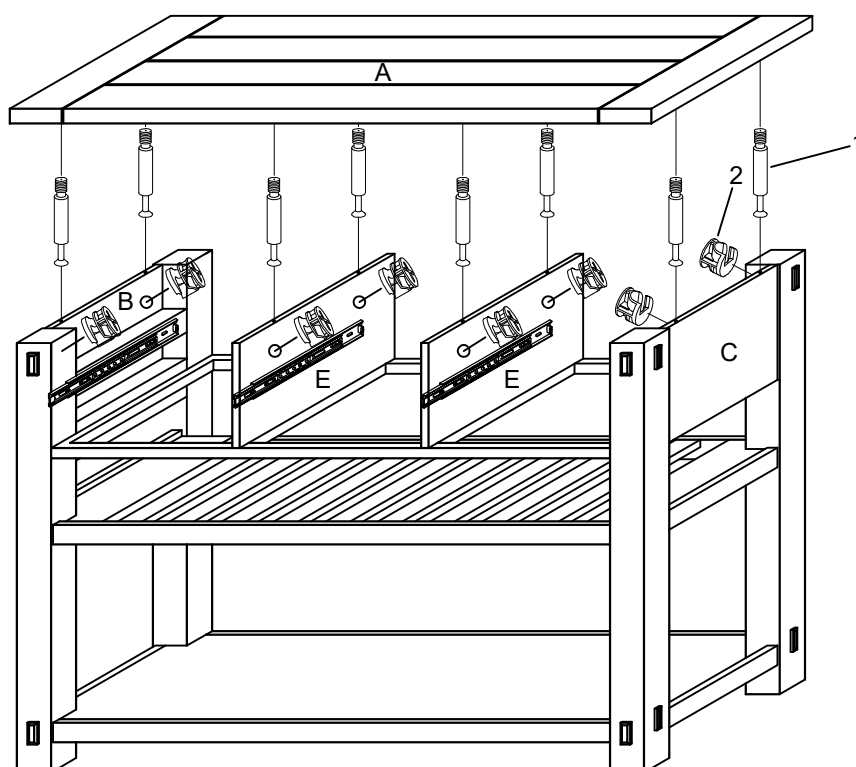
STEP 9: Attach Right Side.

Attach the Frame(D) and Open Shelf (G) and Bottom Shelf (H) to Right Side (C) using 6 Bolts(3) and 6 Spring Washers (4) and 6 Flat Washers(5) and tighten by Allen Wrench.



STEP 7: Attach Top Panel.

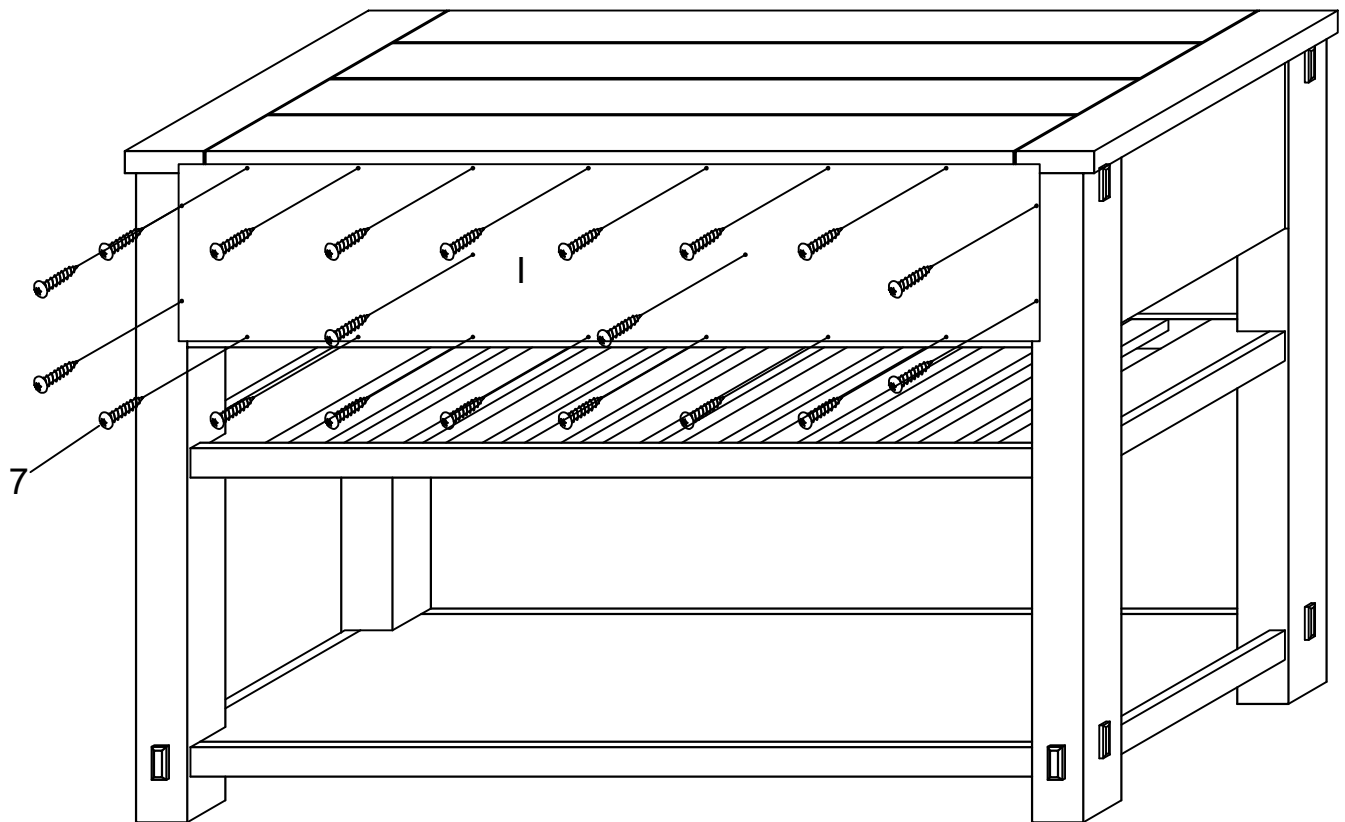
Insert 8 Cam Bolts (1) into holes of Top Panel (A) and attach to Panel (B/C/E) as shown, insert 8 Cam Locks into holes of Panel (B/C/E) and tighten by Cam Tool.



STEP-BY-STEP ASSEMBLY:

STEP 8: Attach Back Panel.

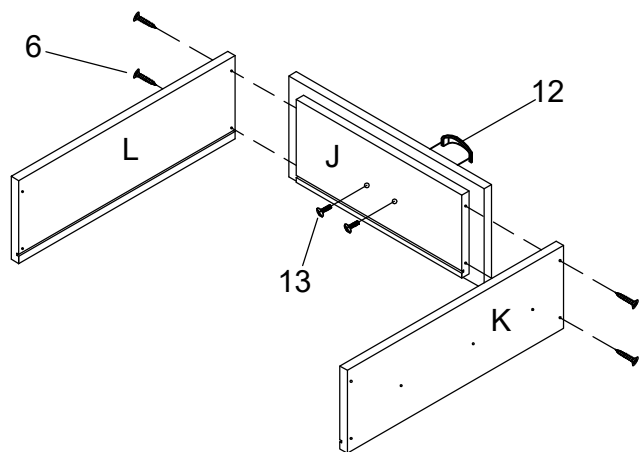
Attach the Back Panel(I) using 20 Screws (7) and tighten.



STEP-BY-STEP ASSEMBLY:

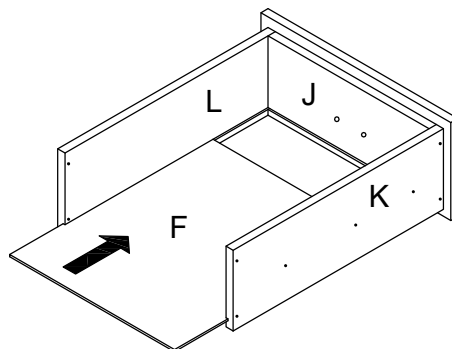
STEP 11: Assemble Drawer Frame.

Attach the Drawer Left Side(K) and Drawer Right Side(L) to Drawer Front Panel(J) using 4 Screws(6). Attach the Handle(12) to Drawer Front Panel(J) using 2 Handle Screws(13).



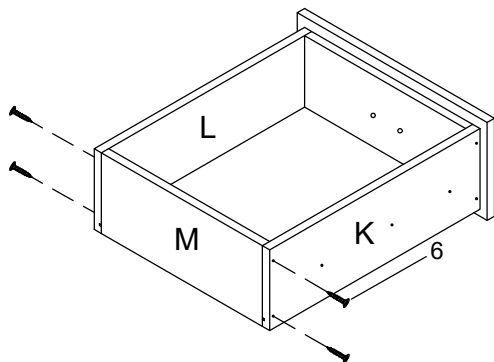
STEP 12: Install Drawer Bottom.

Insert Drawer Bottom Panel(F) into the slots of the Drawer Left/Right Side(K/L) and Drawer Front(J).



STEP 13: Attach Drawer Back.

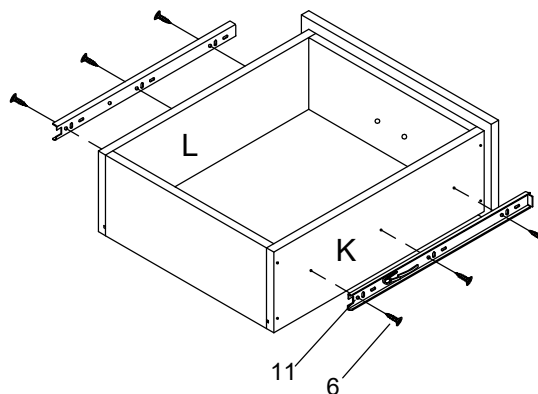
Attach the Drawer Back(M) between Drawer Right/Left Side(L/K) using 4 Screws(6) and tighten.



STEP 14: Attach Inner Slide.

Attach the Inner Slide(11) to drawer sides using 6 Screws(6) and tighten.

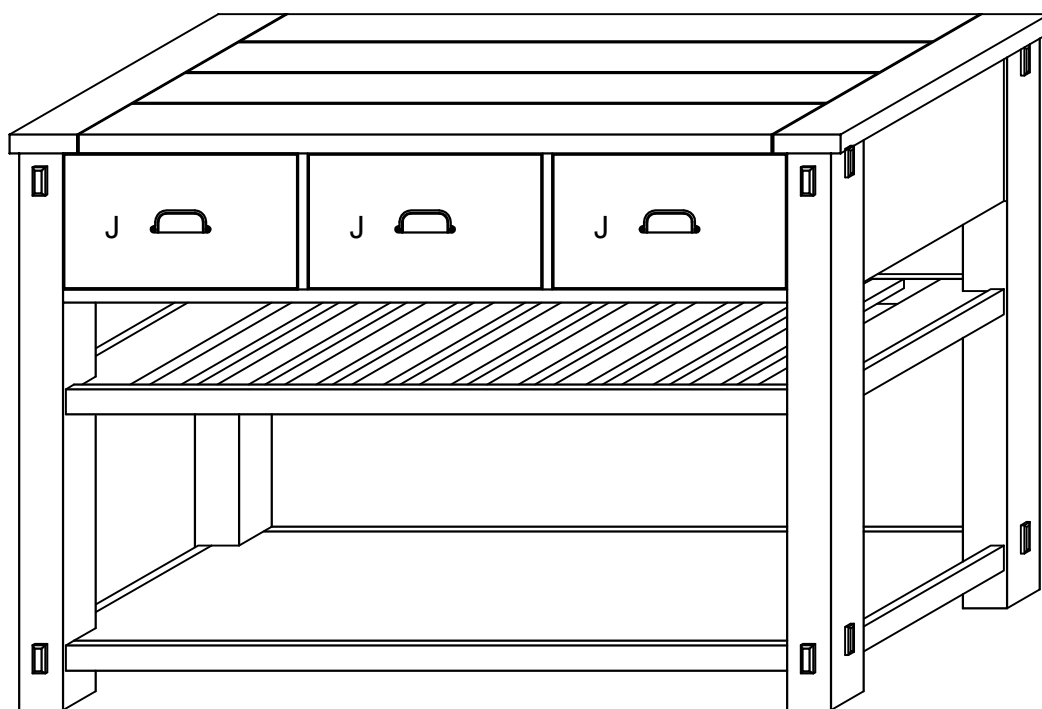
Repeat to assemble other two drawers as above steps.



STEP-BY-STEP ASSEMBLY:

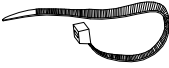
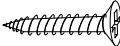


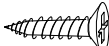
STEP 15: Attach drawer.

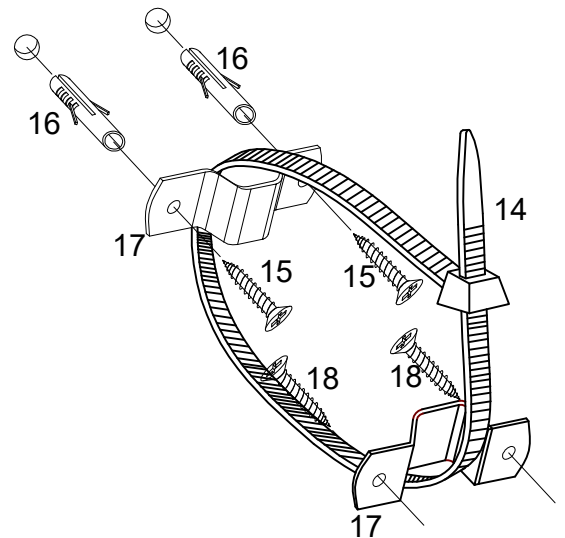
Slide 3 drawers into cabinet.



ANTI-TIP RESTRAINT ASSEMBLY INSTRUCTION:

Anti-tip Restraint is **REQUIRED** in order to complete construction of this product. When properly installed, this hardware can provide protection against the unexpected tipping of furniture.

	Parts designation	Parts image	QTY
(14)	Plastic Belt		2
(15)	Long Screw		4
(16)	Anchor		4
(17)	Bracket		4
(18)	Short Screw		4



ASSEMBLY INSTRUCTIONS:

STEP 1: Attach two of the mounting brackets(17) and secure to the back top edge of the furniture using the short screw(18).

STEP 2: Mark the location on the wall for mounting the other two brackets(17). Create the appropriate sized hole in the wall and insert the plastic screw anchor(16). Secure the bracket to the wall using the long screw(15).

Step 3: Place the furniture so the bracket on the back edge of the unit is in the line with the bracket on the wall.

Step 4: Lace an end of the plastic belt(14) down through each bracket. Bring both ends together and slide the beaded end of the plastic belt through the keyhole-shaped slot on the other end. Pull down on the beaded end until it snap-locks into the keyhole.

STEP 5: Check to make sure the plastic belt is securely laced and locked to the brackets.



For assistance with assembly, please contact customer service
1-888-880-4884