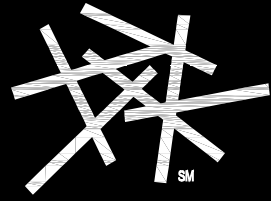
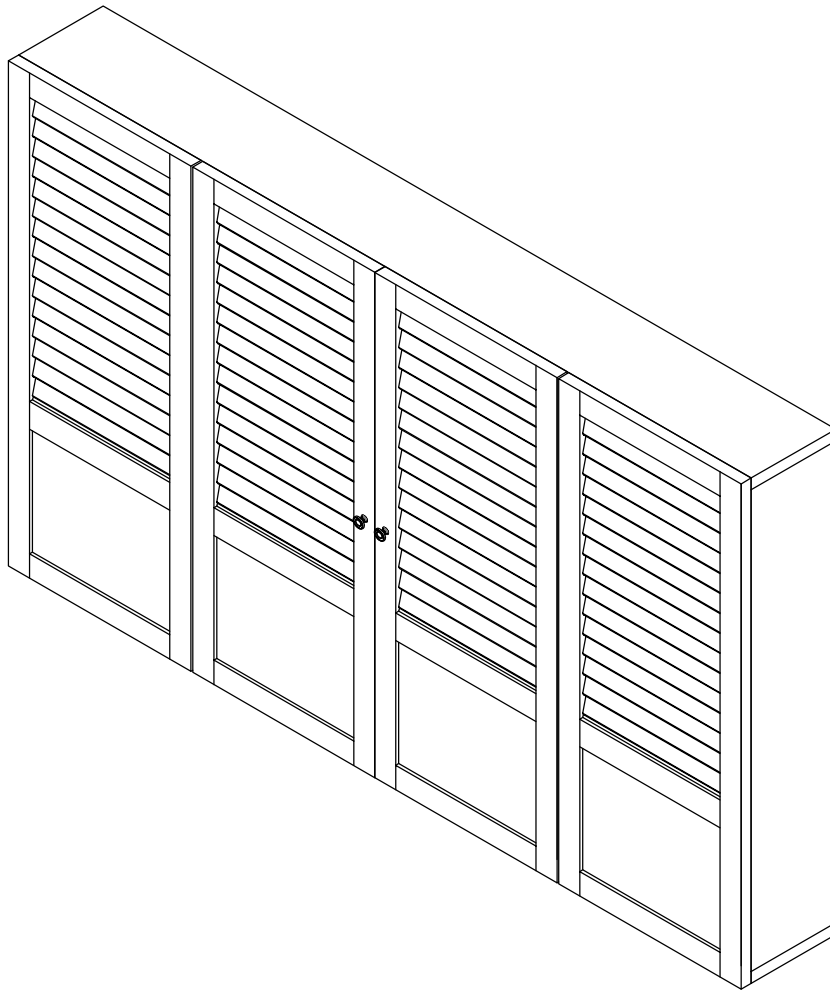


hayneedle



ITEM NAME:Belham Living Nantucket Shutter Front TV Wall Cabinet
SKU:CHIS104-1



For assistance with assembly, please contact
Hayneedle Customer Care Center
1-888-880-4884

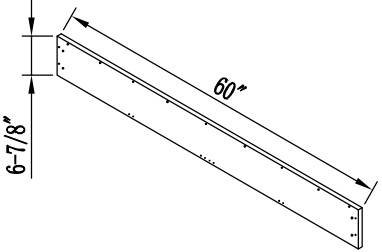
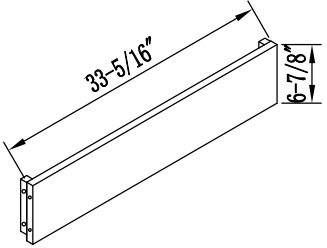
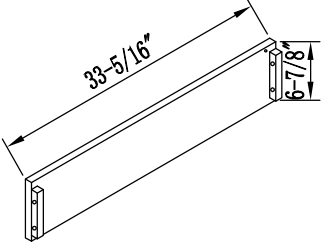
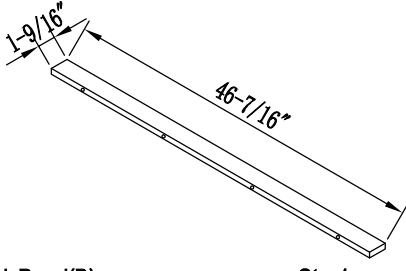
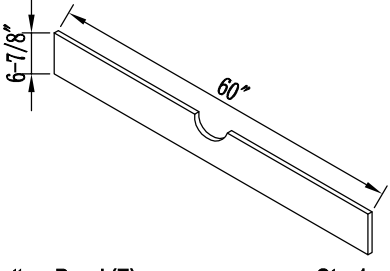
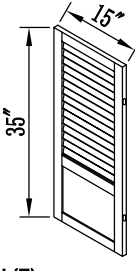
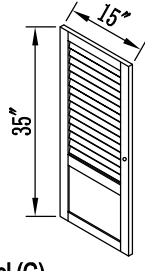
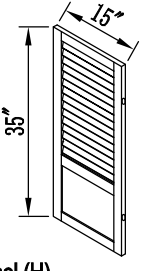
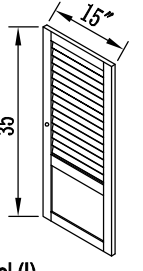
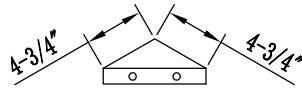
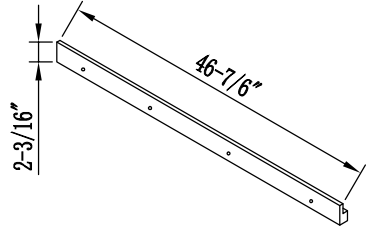
PRE-ASSEMBLY PREPARATION:



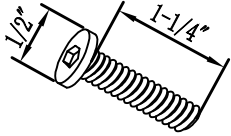


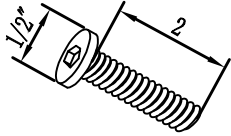
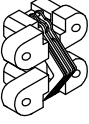
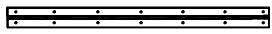

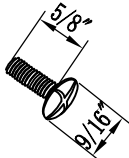
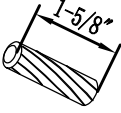
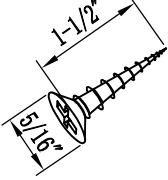

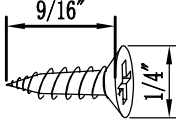
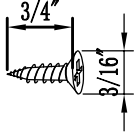
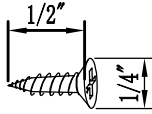
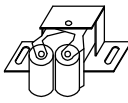
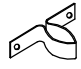
THIS PACKAGE MAY CONTAIN SMALL ITEMS WHICH SHOULD BE KEPT AWAY FROM CHILDREN

- Please check that all parts and hardware are included before beginning assembly.
- Save all packing materials until assembly is complete to avoid accidentally discarding smaller parts or hardware.
- Read through the preparation and assembly instructions in full before beginning assembly.
- Please use CAUTION AND CARE WHEN LIFTING the product to avoid personal injury and (or) damage to the product.
- The following additional tools are required for assembly: Phillips head screwdriver, flat head screwdriver and rubber mallet.
- For ease of assembly, two adults are recommended.


PARTS AND FITTINGS IDENTIFICATION:

 <p>Top Panel (A) Qty: 1</p>	 <p>Left Side Panel (B) Qty: 1</p>	 <p>Right Side Panel (C) Qty: 1</p>
 <p>Back Panel (D) Qty: 1</p>	 <p>Bottom Panel (E) Qty: 1</p>	 <p>Left Door Panel (F) Qty: 1</p>
 <p>Left Door Panel (G) Qty: 1</p>	 <p>Right Door Panel (H) Qty: 1</p>	 <p>Right Door Panel (I) Qty: 1</p>
 <p>Wood Block (J) Qty: 4</p>	 <p>Hanger Board (K) Qty: 1</p>	

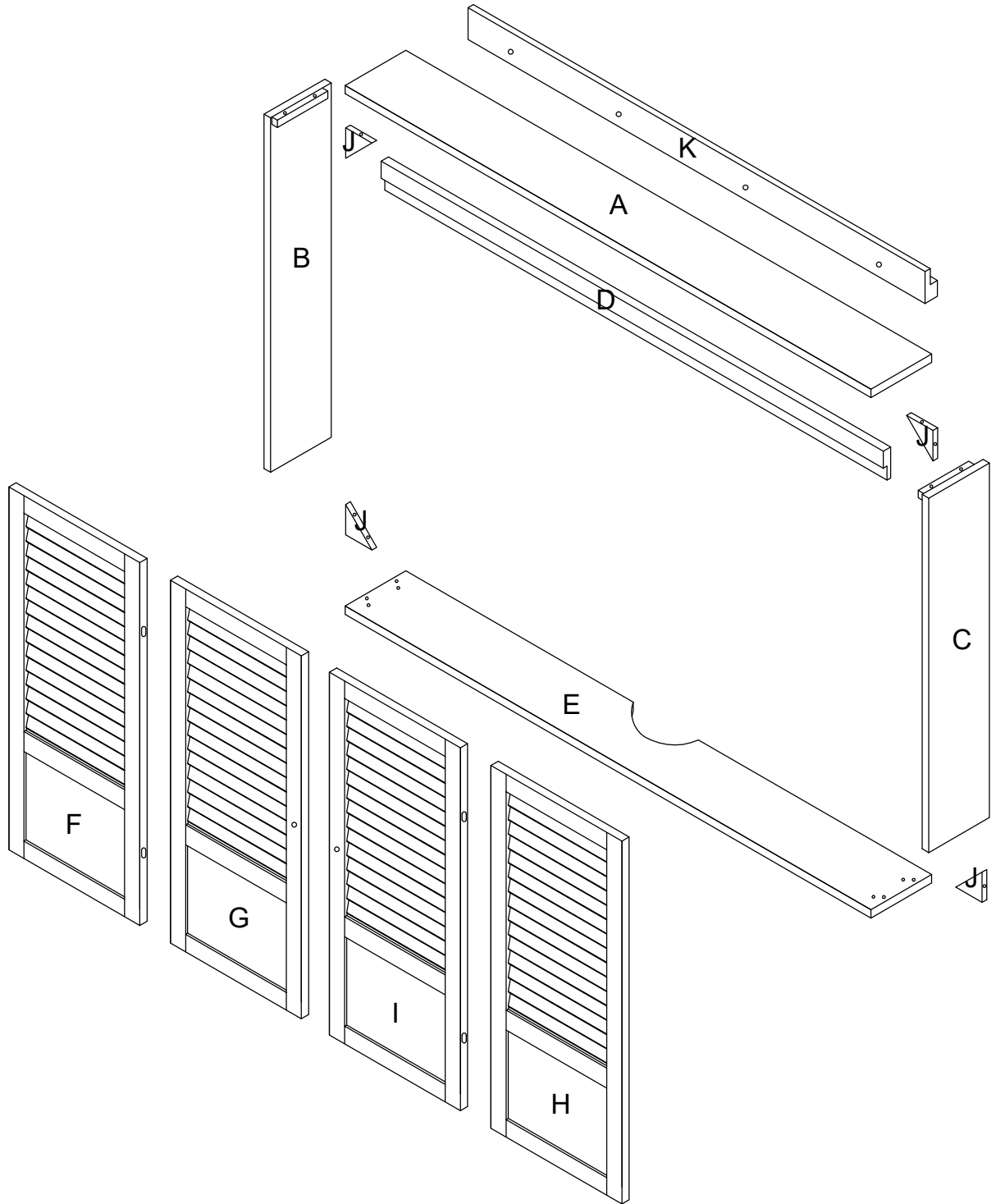
HARDWARE LIST:

 <p>Bolt (1) Qty: 16</p>	 <p>Spring Washer (2) Qty: 12</p>	 <p>Flat Washer (3) Qty: 12</p>	 <p>Bolt (4) Qty: 4</p>
 <p>Hinge(5) Qty: 4</p>	 <p>Hinge(6) Qty: 2</p>	 <p>Knob(7) Qty: 2</p>	 <p>Knob Screw(8) Qty: 2</p>
 <p>Dowel(9) Qty: 11</p>	 <p>Screw(10) Qty: 4</p>	 <p>Anchor(11) Qty: 4</p>	 <p>Screw(12) Qty: 28</p>
 <p>Screw(13) Qty: 16</p>	 <p>Screw(14) Qty: 32</p>	 <p>Door Catch(15) Qty: 8</p>	 <p>Metal Bracket(16) Qty: 8</p>

TOOLS REQUIRED:

 <p>Allen Wrench Qty: 1</p>			
--	--	--	--

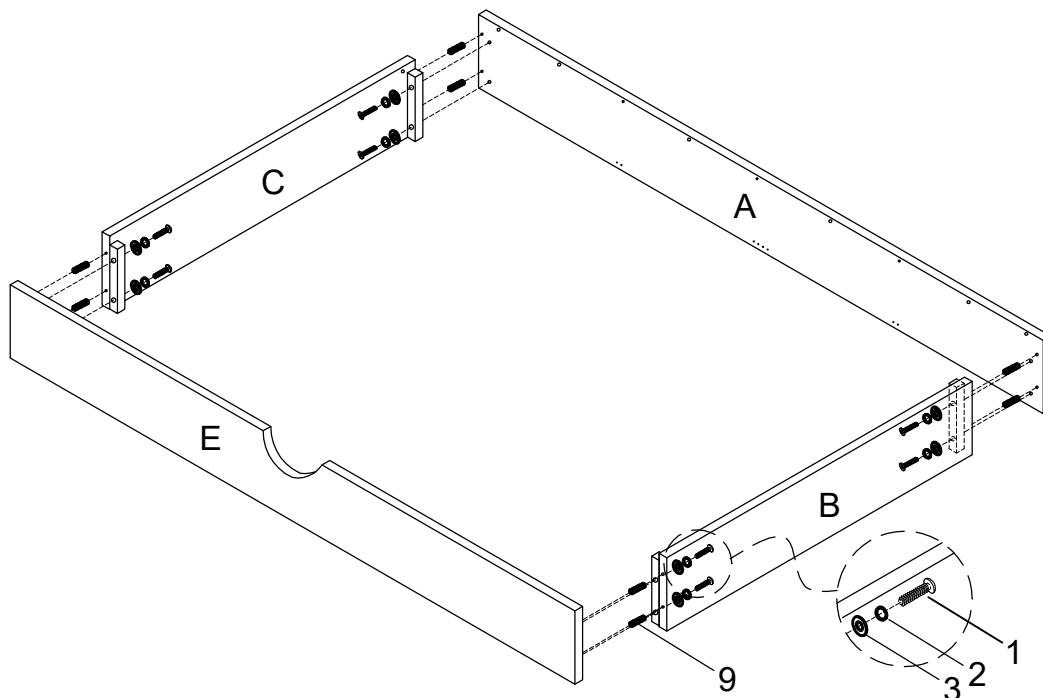
STRUCTURAL DIAGRAM:



STEP-BY-STEP ASSEMBLY:

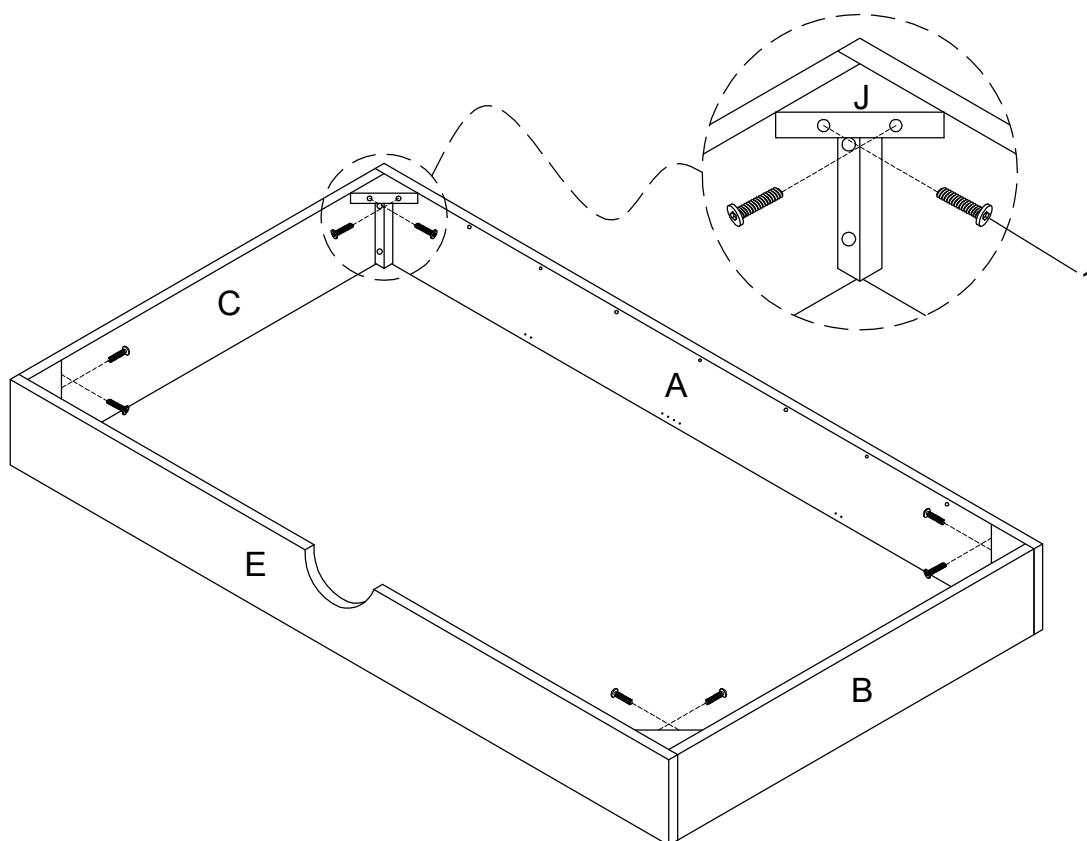
STEP 1: Attach Top Panel and Bottom Panel.

Attach the Top Panel(A) and Bottom Panel(E) to Left/Right Side Panel(B/C) as shown using 8 Bolts(1) and 8 Spring Washers(2) and 8 Flat Washers(3) and 8 Dowels(9) and tighten by Allen Wrench.



STEP 2: Attach Wood Block.

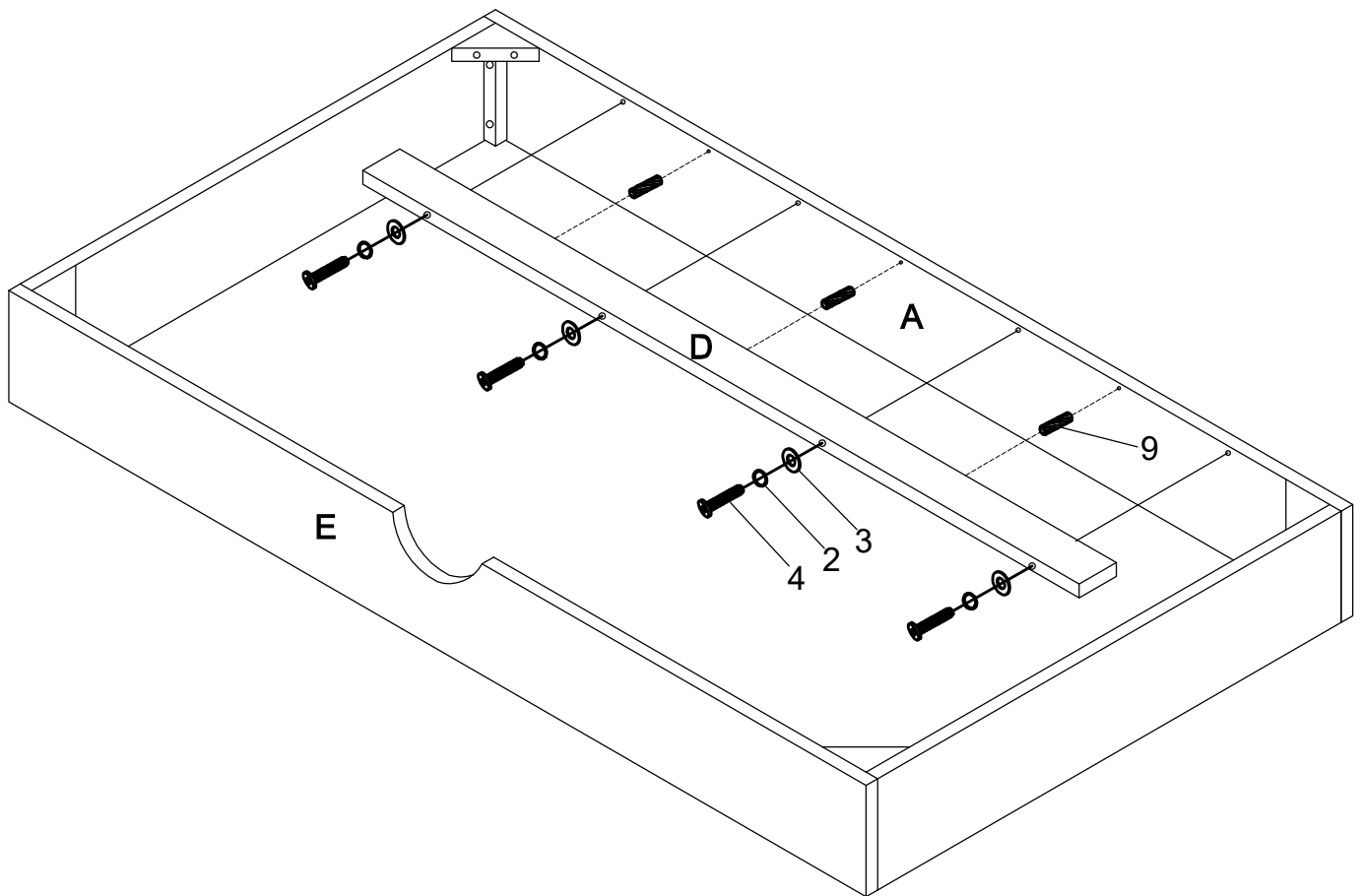
Attach the Wood Block(J) to Panel(A/B/C/E) as shown using 8 Bolts(1) and tighten by Allen Wrench.



STEP-BY-STEP ASSEMBLY:

STEP 3: Attach Back Panel.

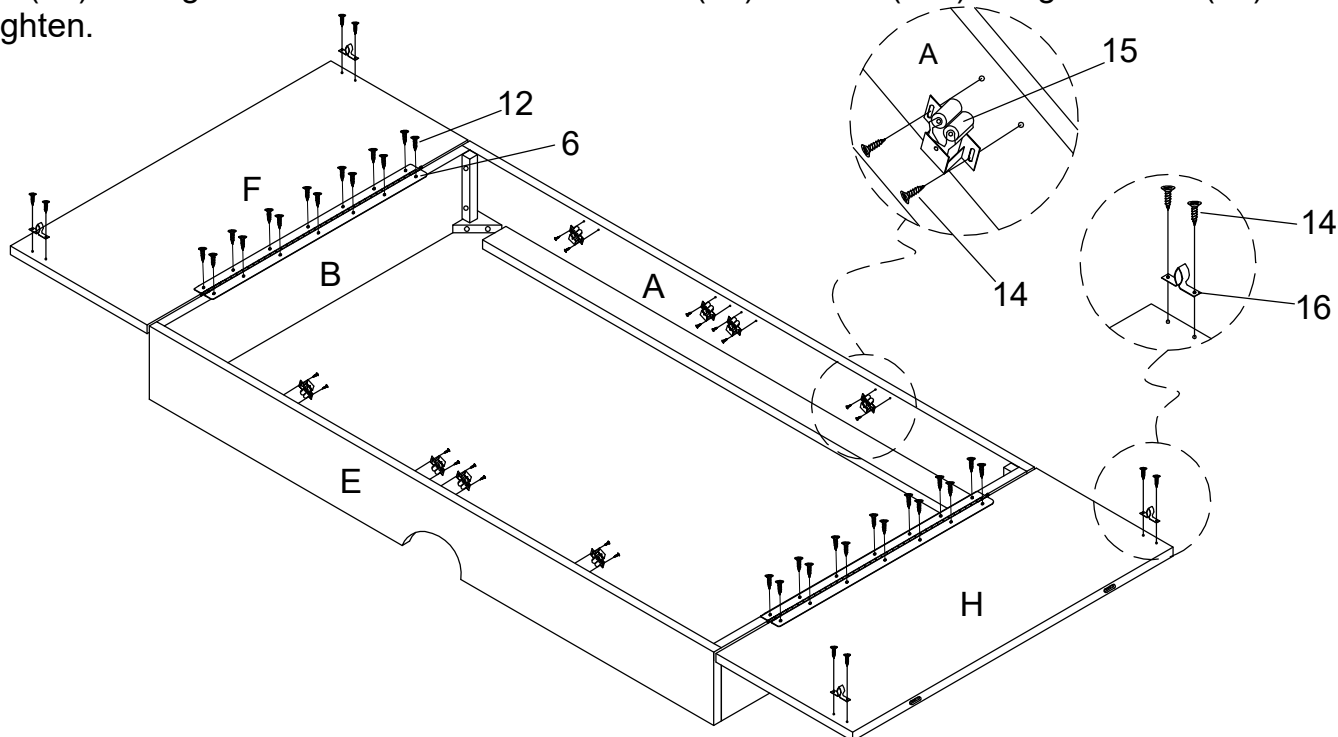
Attach the Small Back Panel(D) to the Top Panel (A) using 4 Bolts(4) and 4 Spring Washers (2) and 4 Flat Washers(3) and 3 Dowels(9) and tighten by Allen Wrench.



STEP-BY-STEP ASSEMBLY:

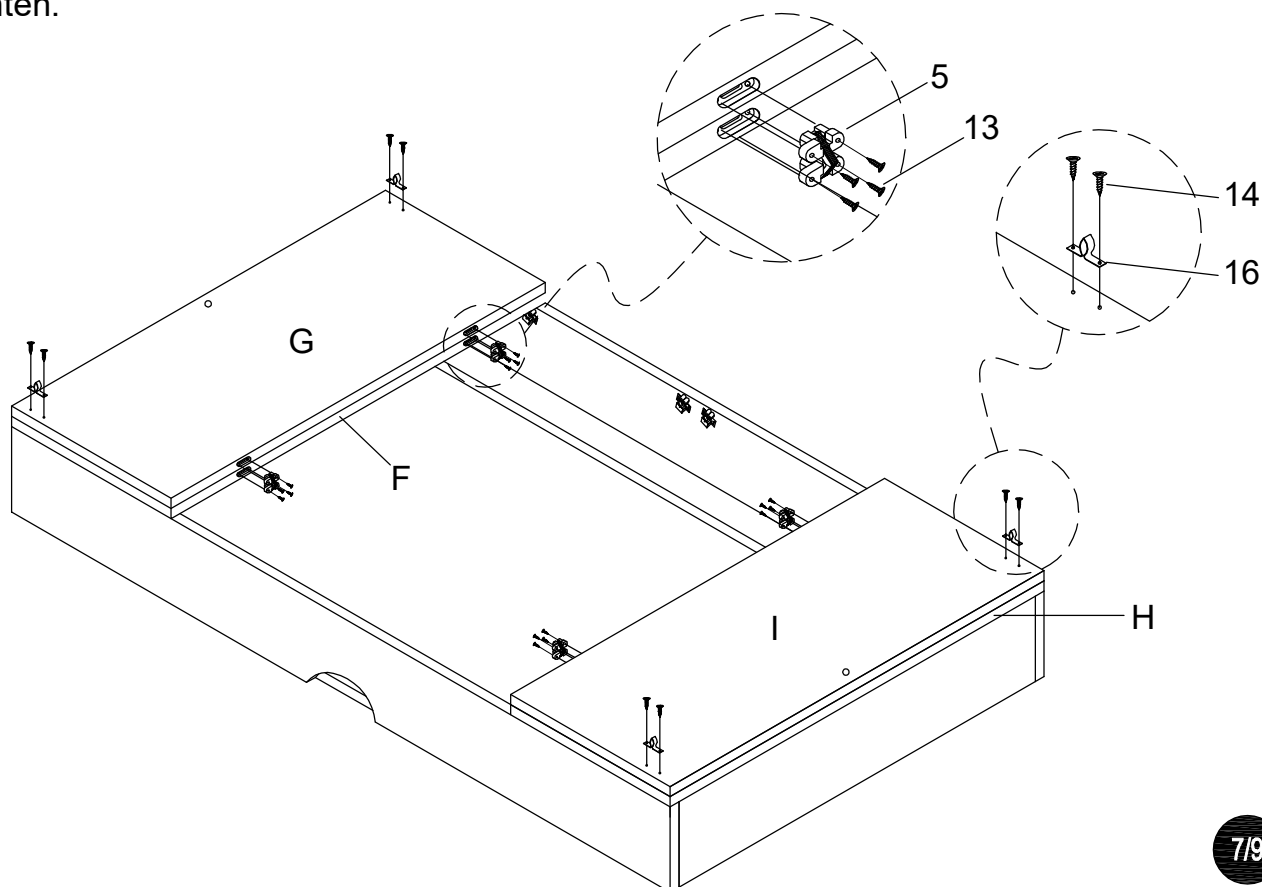
STEP 5: Attach Left/Right Door Panel.

Attach the Left/Right Door Panel(F/H) to the Left/Right Side Panel(B/C) using 2 Hinges(6) and 28 Screws(12) and tighten. Attach the 8 Door Catch(15) to Panel(A/E) using 16 Screws(14) and tighten. Attach the 4 Metal Brackets(16) to Panel(F/H) using 8 Screws(14) and tighten.



STEP 6: Attach Left/Right Door Panel.

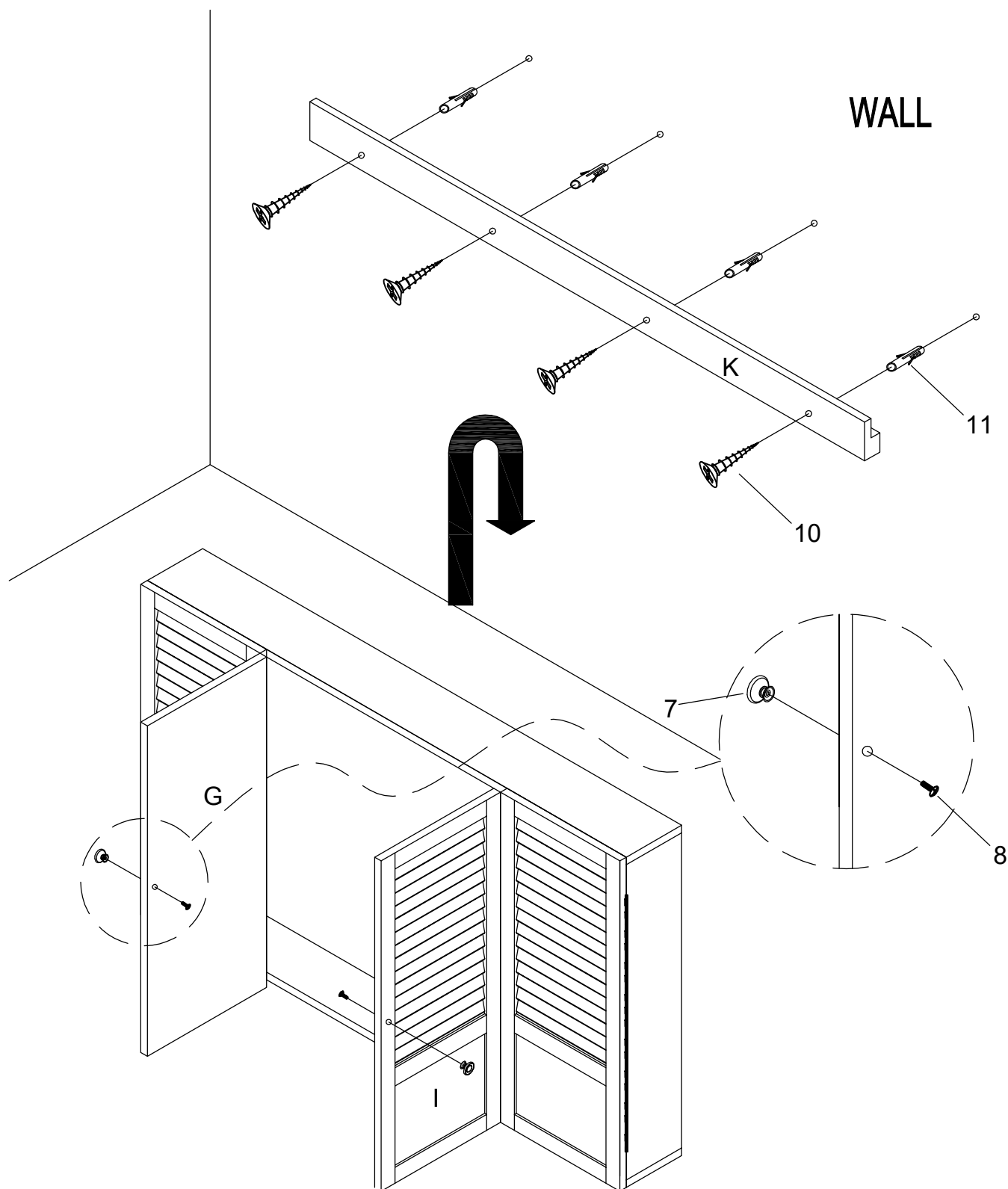
Attach the Left/Right Door Panel(G/I) to the Left/Right Door Panel(F/H) using 4 Hinges(5) and 16 Screws(13) and tighten. Attach the 4 Metal Brackets(16) to Panel(G/I) using 8 Screws(14) and tighten.



STEP-BY-STEP ASSEMBLY:

STEP 7: Attach Hanger Board.

Attach the Hanger Board(K) to the wall using 4 Screws(10) and 4 Anchors(11) and tighten. Attach the Knobs(7) to the Left/Right Door Panel(G/I) using 2 Knob Screws(8) and tighten. It is recommended that you anchor the hanger board into a wall stud. Hanging the cabinet onto the hanger board.





For assistance with assembly, please contact customer service
1-888-880-4884