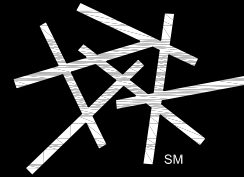
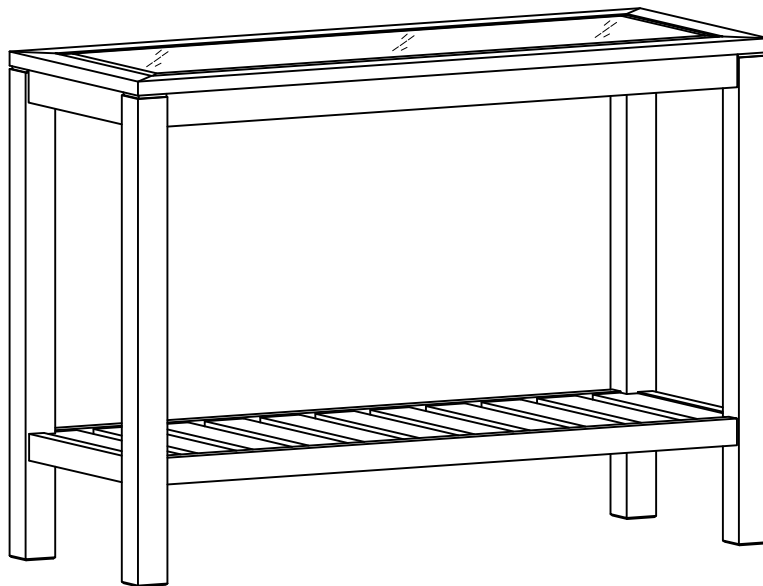


hayneedle



ITEM NAME: Hudson Glass Top Console Table with Slat Bottom

SKU: CHIS028-1



For assistance with assembly, please contact
Hayneedle Customer Care Center
1-888-880-4884

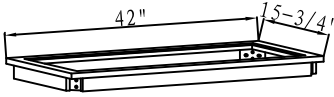
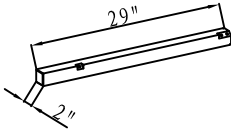
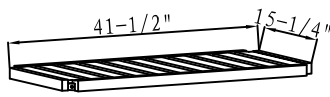
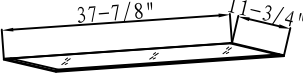
PRE-ASSEMBLY PREPARATION:




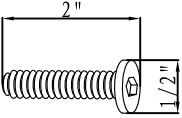
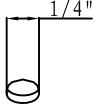
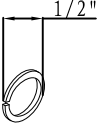
THIS PACKAGE MAY CONTAIN SMALL ITEMS WHICH SHOULD BE KEPT AWAY FROM CHILDREN

- Please check that all parts and hardware are included before beginning assembly.
- Save all packing materials until assembly is complete to avoid accidentally discarding smaller parts or hardware.
- Read through the preparation and assembly instructions in full before beginning assembly.
- Please use CAUTION AND CARE WHEN LIFTING the product to avoid personal injury and (or) damage to the product.
- For ease of assembly, two adults are recommended.


PARTS AND FITTINGS IDENTIFICATION:

 <p>Top Frame (A) Qty: 1</p>	 <p>Feet (B) Qty: 4</p>	 <p>Shelf (C) Qty: 1</p>
 <p>Glass (D) Qty: 1</p>		

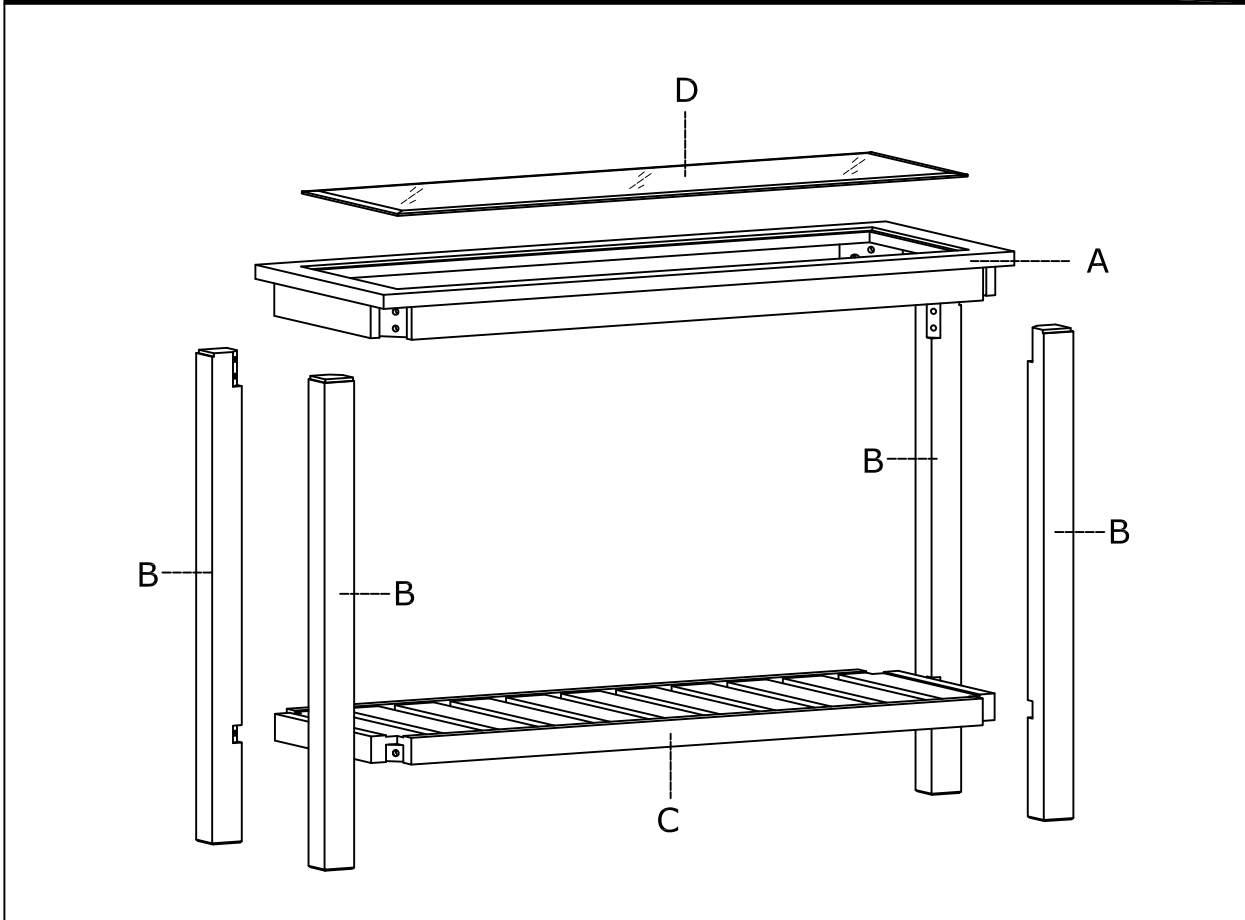
HARDWARE LIST:

			
Flat Washer(1) Qty: 12	Bolt(2) Qty: 12	Mat(3) Qty: 6	Spring Washer(4) Qty: 12

TOOLS REQUIRED:

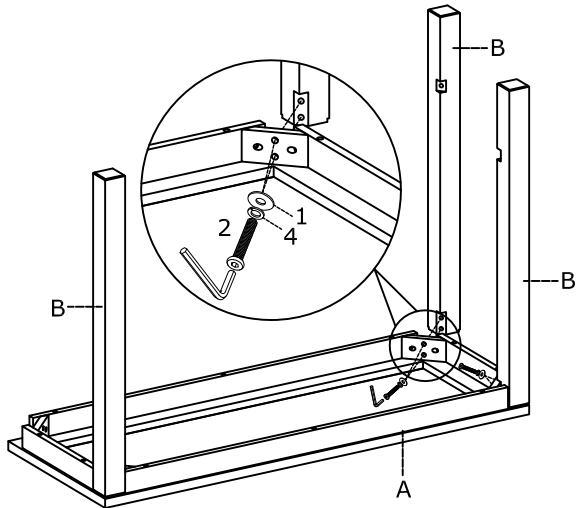
			
Allen Wrench Qty: 1			

STRUCTURAL DIAGRAM:

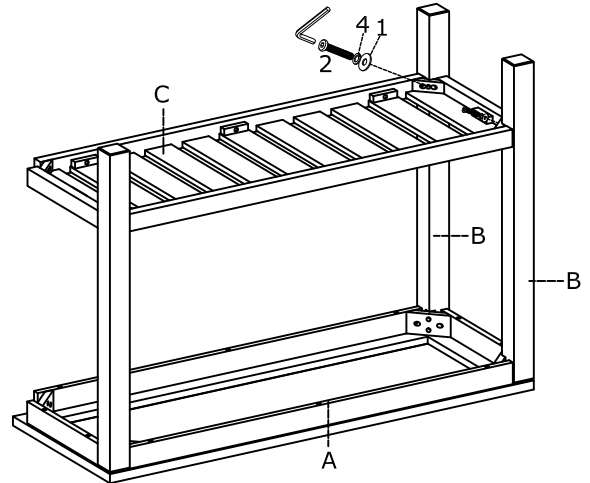


STEP-BY-STEP ASSEMBLY:

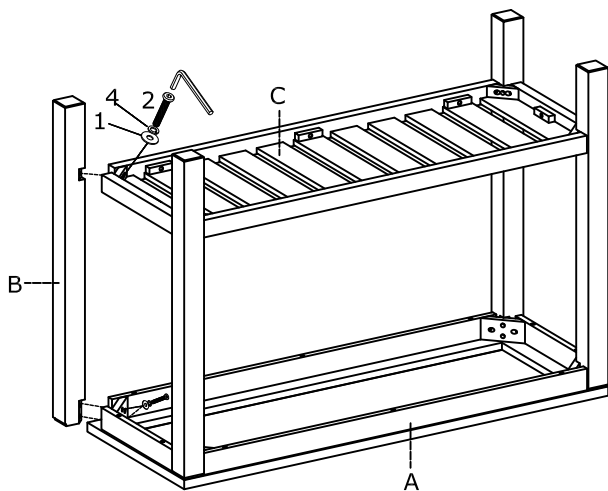
STEP 1: Attach 3 Feet(B) to Top Frame(A) using 6 Bolts(2) and 6 Flat Washers (1) and 6 spring Washers (4).



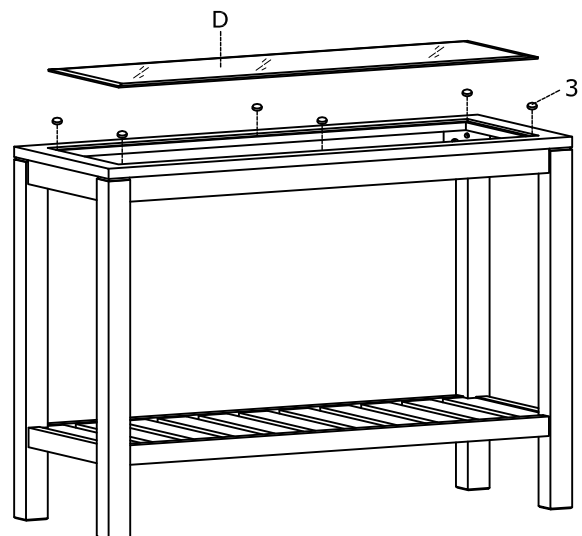
STEP 2: Attach the Shelf(C) to Feet(B) using 3 Bolts (2) and 3 Flat Washers(1) and 3 spring Washers (4).



STEP 3: Attach the Foot(B) to Top Frame(A) and Shelf(C) using 3 Bolts(2) and 3 Flat Washers(1) and 3 spring Washers (4).



STEP 4: Put 6 Mats(3) onto the Top Frame(A). Put the Glass(D) onto the mats(3).





For assistance with assembly, please contact customer service
1-888-880-4884