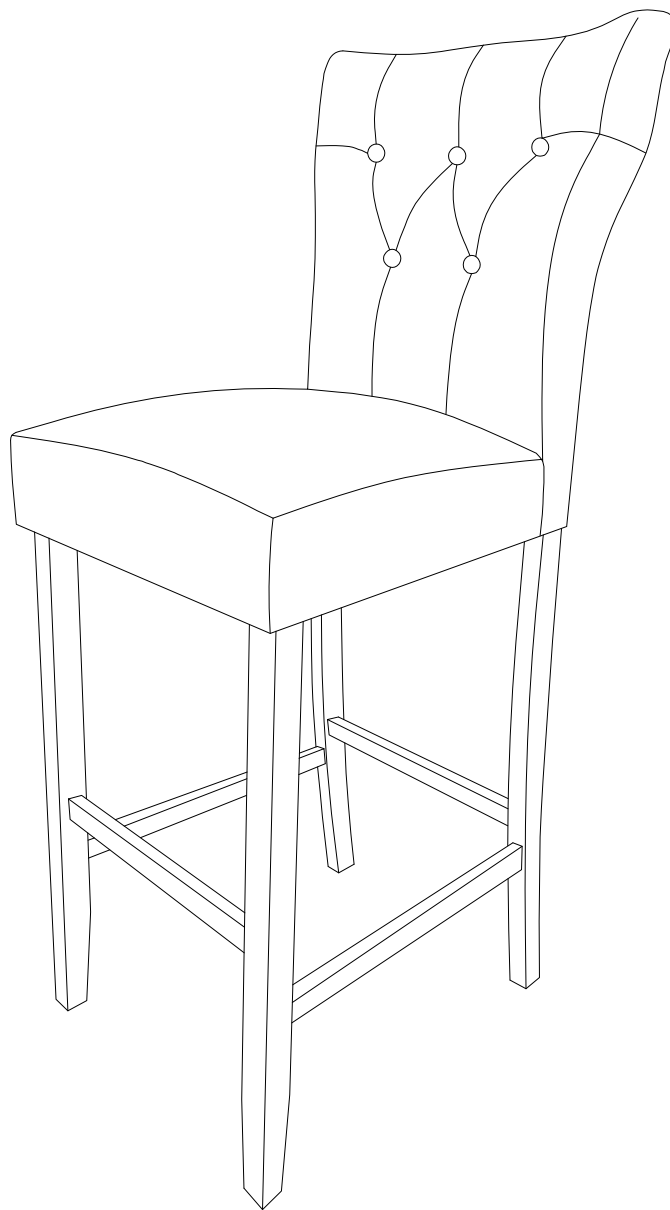


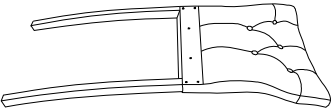



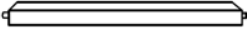


# Assembly Instructions

**Caution: You must read this before you proceed.**









## Bar Chair



## Parts List

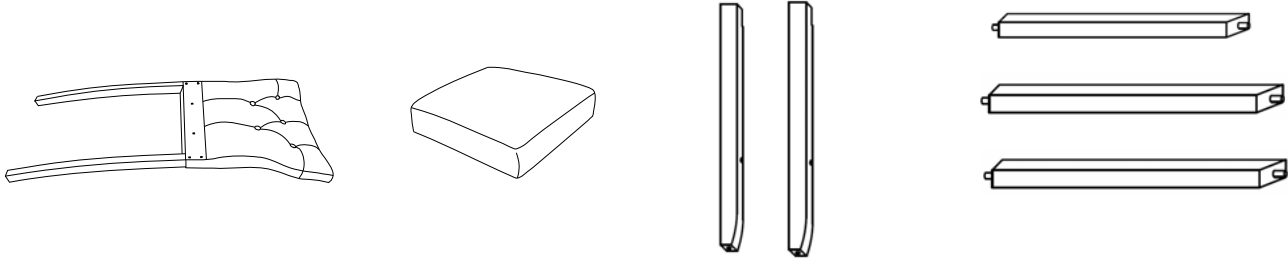
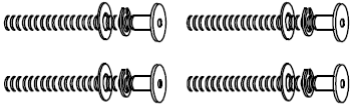
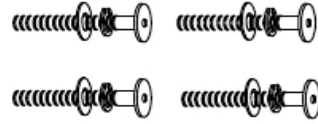
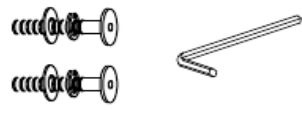



Part NO.	Picture	Description	QTY
A		Chair Back	1 PC
B		Chair Seat	1 PC
C		Left Front Leg	1 PC
D		Right Front Leg	1 PC
E		Left Side Rail (labeled)	1 PC
F		Right Side Rail (labeled)	1 PC
G		Front Rail (labeled)	1 PC

## Hardware

Label	Picture	Description	QTY
①		Bolt(M6x80mm)	4 PCS
②		Bolt(M6x50mm)	4 PCS
③		Bolt(M6x45mm)	2 PCS
④		Screw(M4x32mm)	6 PCS
⑤		Spring Washer	10 PCS
⑥		Washer	10 PCS
⑦		Allen Key	1 PC
⑧		Screwdriver	Not provided

# Assembly Preparation

## Before Beginning Assembly:

		
<b>Pack A</b> for assembling the Seat Frame(B) to the hind legs of Chair Back(A)	Bolt(M6x80mm)+ Washer +Spring Washer	
<b>Pack B</b> for assembling the Seat Frame(B) to the Front Leg Left(C) & Front Leg Right(D)	Bolt(M6x50mm)+ Washer +Spring Washer	
<b>Pack C</b> for assembling the Seat Frame (B) to the horizontal panel of Chair Back (A) at the central point	Bolt(M6x45mm)+ Washer +Spring Washer+ Allen Key	
<b>Pack D</b> for assembling the Left Side Rails(E) &Right Side Rails(F) to the Left Front Leg (C) &Right Front Leg (D)	Screw(M4x32mm)	
<b>Pack E</b> for assembling the Left Side Rails(E) &Right Side Rails(F) to the Chair Back (A)	Screw(M4x32mm)	
<b>Pack F</b> for assembling the Front Rail(G) to the Front Leg	Screw(M4x32mm)	



- Read instructions, cover to cover-



- Have 2 adults on hand for assembly-



- Do not assemble on flooring or carpet-

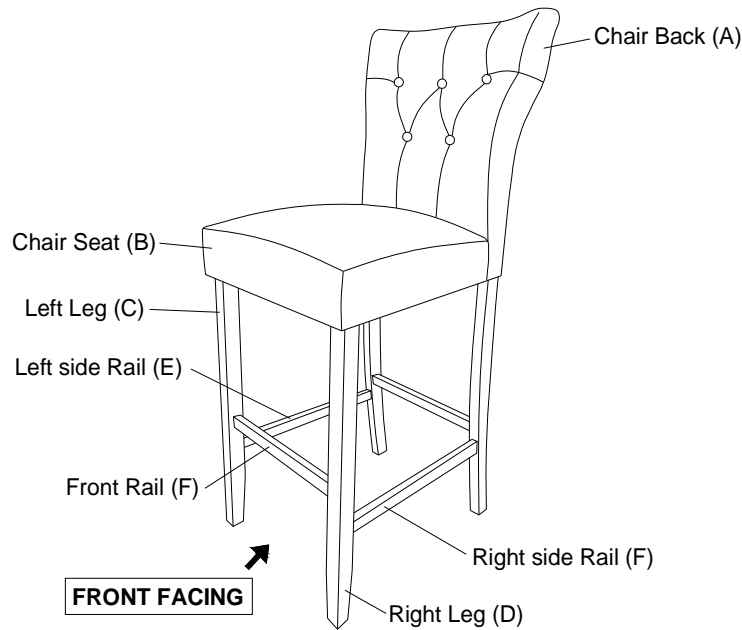


- Assemble on a clean non-marring surface (packing foam)-



- Save all packaging until finished-

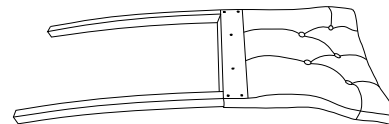
# Assembly Steps



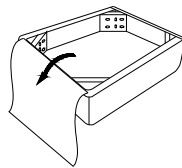
This Bar Chair has multiple parts and may require up to 30 minutes to assemble. To give you an overview of the Bar Chair parts, the above picture is to help you put the various Table parts into perspective.

Please read through the instructions herebelow to familiarise yourself with the parts and steps before assembly.

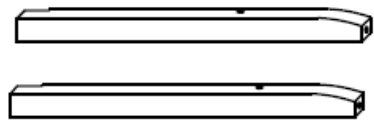
## Step 1



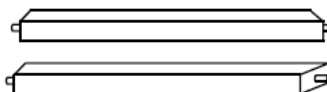
A. Chair Back



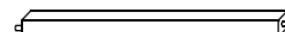
B. Chair Seat with Black Calico/magicTapes



C. Front Left Leg & D. Front Right Leg



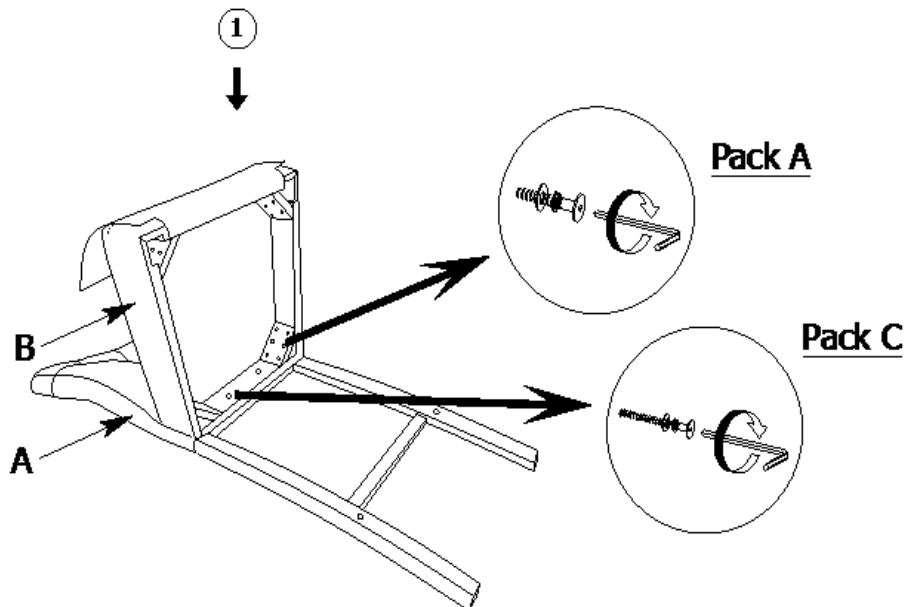
E. Left Side Rail & F. Right Side Rail



G. Front Rail

Place the Chair Back(A) and Chair Seat(B) on a clean, non-marring surface. Remove the Seat Base Cover from the underside of the Chair Seat(B) and take out all of the Parts and Hardware.

## Step 2



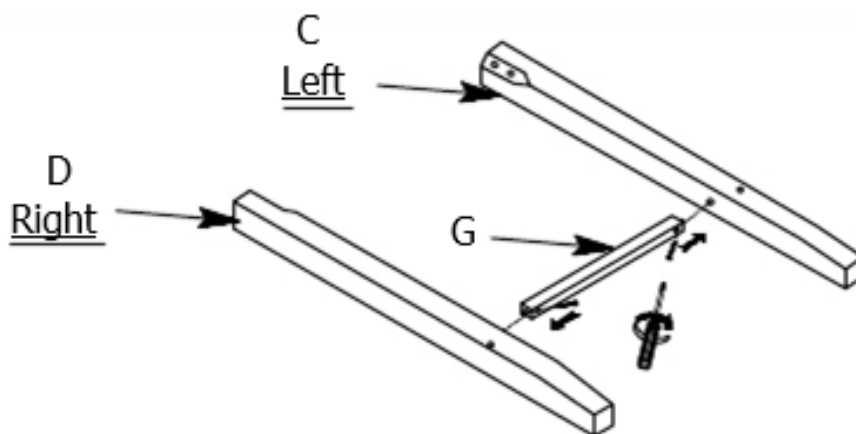
Align the mounting positions of the Chair Back(A) and Chair Seat Frame(B).

Use your left hand to push the seat frame floorwards, depicted by Arrow 1, this action helps to ensure the Chair Seat(B) is pressed towards to the Chair Back(A) with no gap between them.

Then, lock the middle mounting point by using Hardware Pack C and the corner mounting points by using Hardware Pack A with The Allen Key(7),

**Caution : At this stage, LOOSELY FASTEN these bolts**

## Step 3

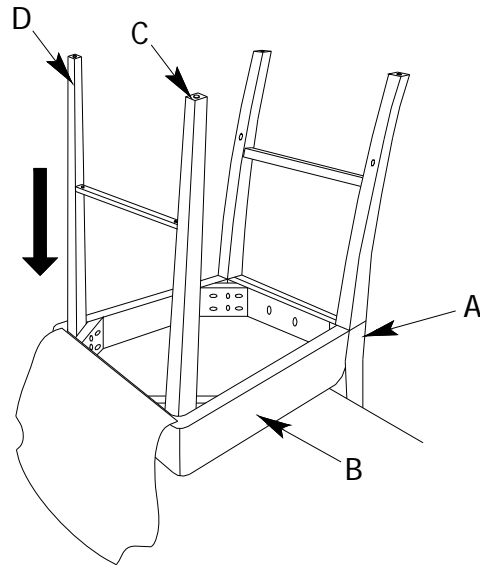


Insert the Front Rail(G) into the oval housing of Left Front Leg (C) & Right Front Leg (D) as shown above.

Then, use Hardware Pack F to attach the Front Rail(G) to the Left Front Leg (C) & Right Front Leg (D).

**At this stage, LOOSELY FASTEN these bolts**

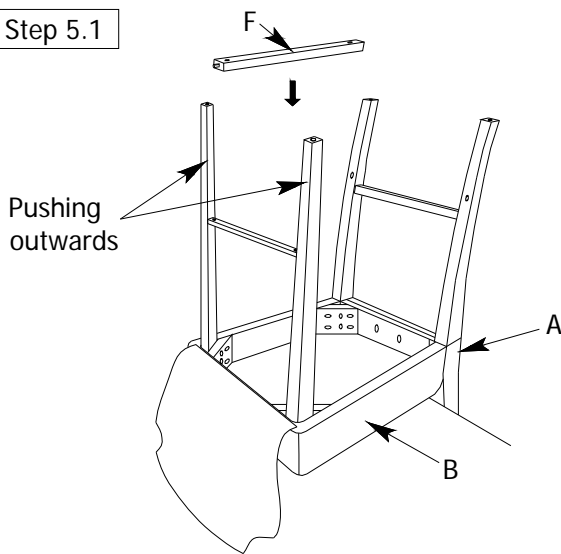
## Step 4



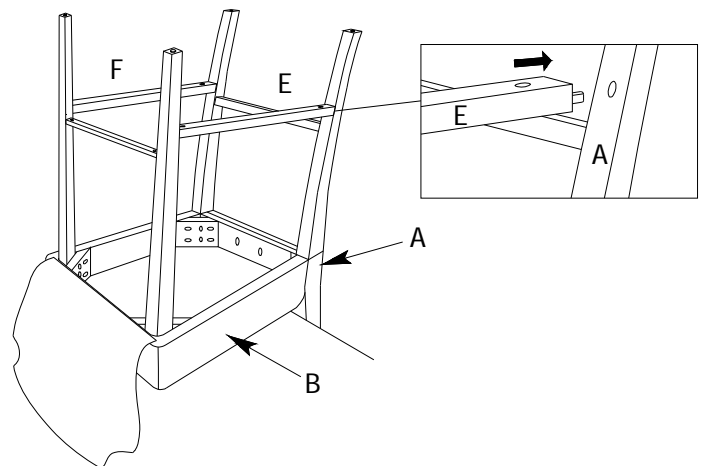
Place the chair onto the side of a table as seen in picture. With your assistant help to hold the front leg frame insert to the Chair Seat (B)

## Step 5

Step 5.1



Step 5.2

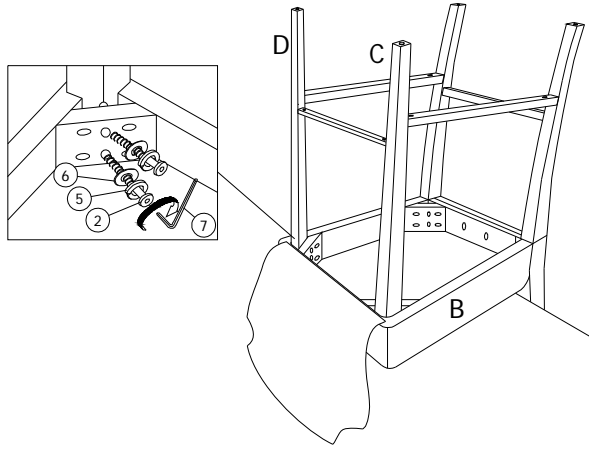


5.1 Place Right Side Rail (F) Into the housing of the Hind Leg of the chair Back (A) and Right Leg (D).

You may need to apply a little pressure to the front leg frame - pushing outwards, so as to enable the Side Rail (F) to be slotted into position.

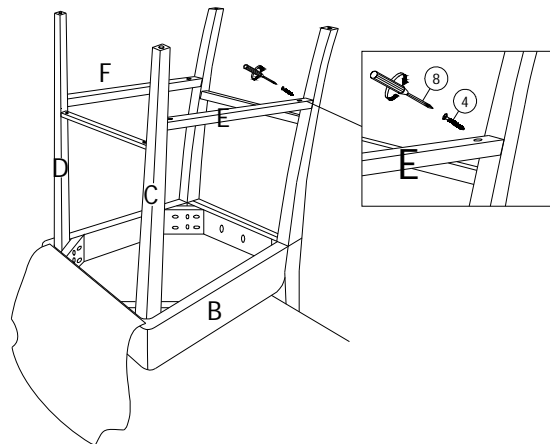
5.2 Repeat the same process to install the Left side Rail (E).

**Step 6**



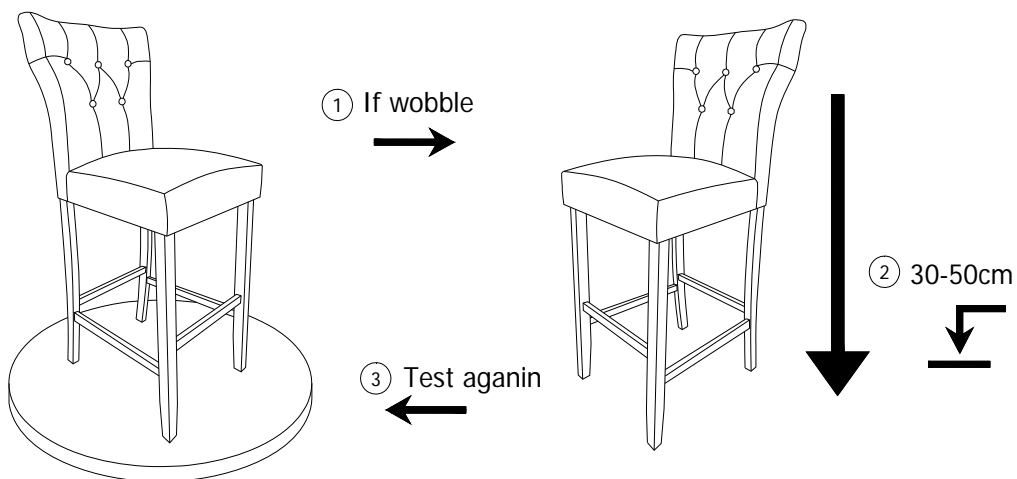
Attach the Left Front Leg (C) And Right Front Leg (D) to the Chair Seat (B) Using Pack B.  
**At this stage, only LOOSELY FASTEN the Bolts.**

**Step 7**



Then use Pack D & Pack E to attach Side Rail (E) and Side Rail (F) to the Chair Back (A) and Left Leg (C) and Right Leg (D).  
**At this Stage, only LOOSELY FASTEN the Screws**

**Step 8**



Place the chair on a Level Surface to check if it wobbles.

If it wobbles, lift the chair some 30cm to 50cm high from the ground, keep your feet and toes well away from the drop zone, and drop the chair freely and vertically with the four legs, hitting the ground at the same time.

This **Drop Test** will help to ensure that all the bolts and gaps are in full alignment. Test again for evenness on a **Level Surface**.

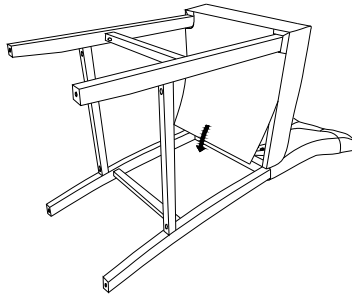
If no wobbles are found, proceed to tighten all the Bolts.

**Caution: When tightening the Bolts, tighten sequentially.**

**Do not tighten any screw fully and then move towards the next one, this would cause the frame to warp. If it still wobbles, loosen the bolts and execute this same drop test.**

**If the Chair is not Stable it could lead to damage to the product.**

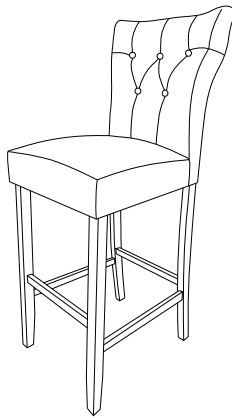
### **Step 9**



Place the Seat Base Cover back underneath the chair seat (as shown in picture) from where it was removed from originally.

Smooth down with your hand on the Magic Tape on all 4 sides at the edge of the seat box.

### **Step 10**



Turn the chair right way up, it is now ready for use.

**Caution: This Bar Stool can only be used on a flat, level surface.**



## Care & Maintenance



- Do not put hot items directly on furniture surface



- Do not clean furniture with harsh cleansers or polish.



- Do not place furniture under direct sunlight.



- Do not place furniture near heating or cooling vents.



- Do not write on furniture without a padded barrier to protect the surface.



- Do not place furniture outside . For indoor use only .



- Not for commercial use. For residential use only .



- Stains may be removed with mild soap solution and damp cloth.



- Children should not climb or jump on the furniture.



- Dust and pick-up spills using a clean, non-colored, lint-free cloth .