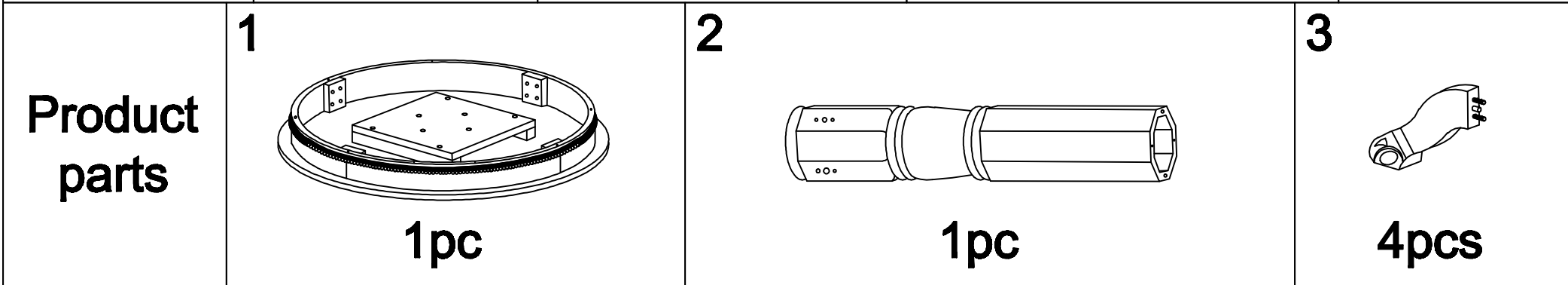
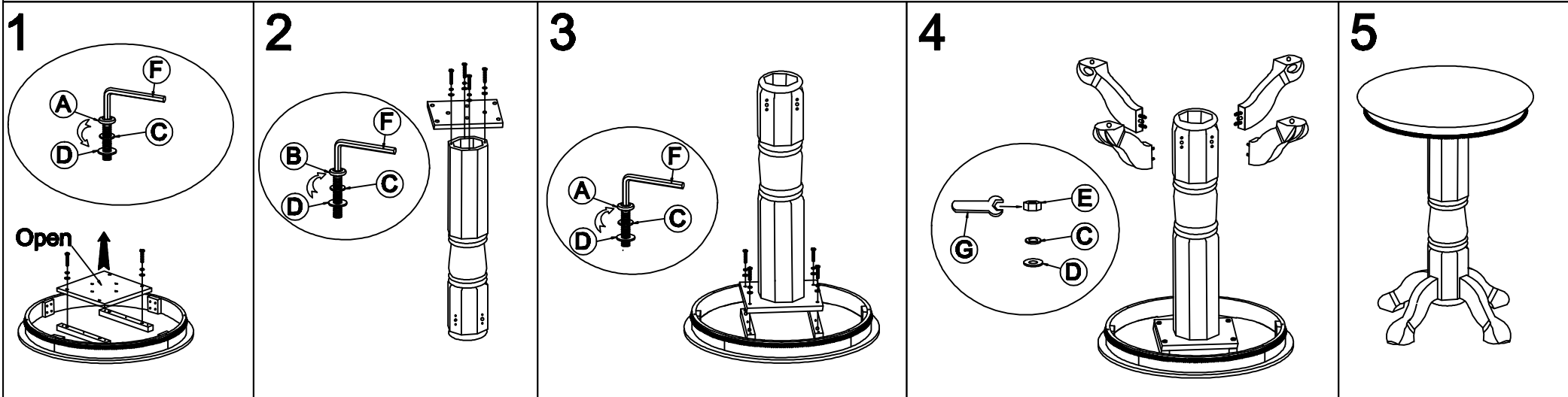









ASSEMBLY INSTRUCTION - FLORENCE PUB TABLE



Hardwares list

A	B	C	D	E	F	G
						
M8*40 4pcs	M8*45 4pcs	M8 16pcs	8*19*2 16pcs	M8 8pcs	K4 1pc	K13 1pc