



Boraam Industries

JONES SWIVEL STOOL

Assembly Instructions

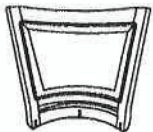
- * Tools Included
- * Do not throw away packing materials until assembly is complete
- * Assemble this item on a soft, clean surface to protect the product
- * Proper assembly requires 2 People
- * Make sure all parts are included prior to assembly

COMPONENT PART LIST

NO.	DESCRIPTION	QTY
A	Backrest	1
B	Chair Leg	4
C	Footrest	1
D	Apron with Swivel plate	1
E	Seat Cushion	1
F	Arm Chair	2

HARDWARE LIST

NO.	DESCRIPTION	SKETCH	QTY
1	JCBC Bolt M6x35mm		4
2	JCBC Bolt M6x40mm		12
3	JCBC Bolt M6x45mm		6
4	JCBC Bolt M6x50mm		2
5	JCBC Bolt M6x60mm		4
6	Spring Washer M6x10mm		22
7	Flat Washer M6 x 13mm		2
8	Flat Washer M6 x 16mm		26
9	Allen Wrench M4		1
10	Wood button		2



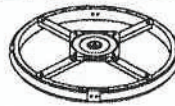
A



B



C



D

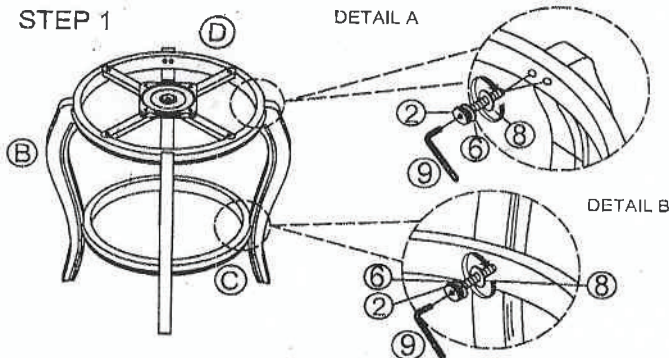


E



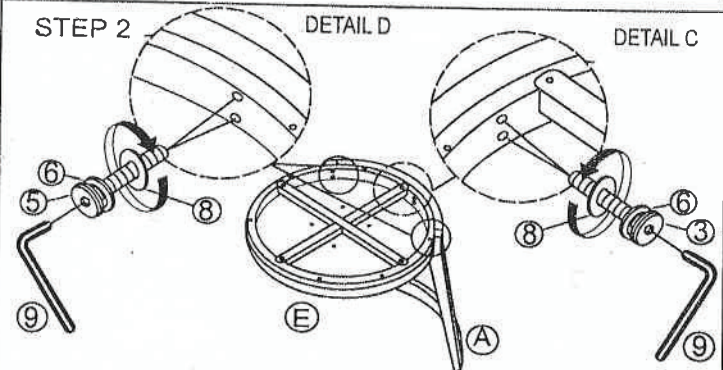
F

STEP 1



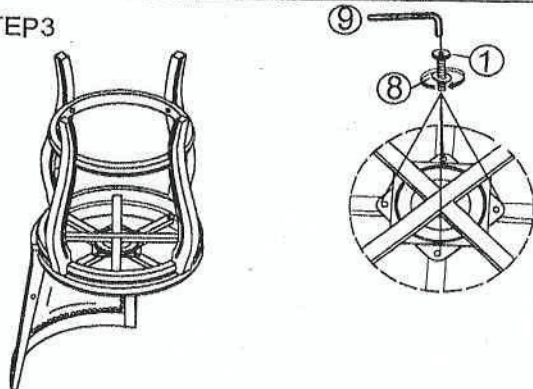
Prepare 12 sets of bolt assemble as shown above: bolt (2), spring washer(6) and flat washer (8) in list. Attach each leg(b) to footrest (c) and apron with swivel plate (d), Insert and tighten 1 set of bolt assemble per each hole. Do NOT TIGHTEN BOLT completely

STEP 2



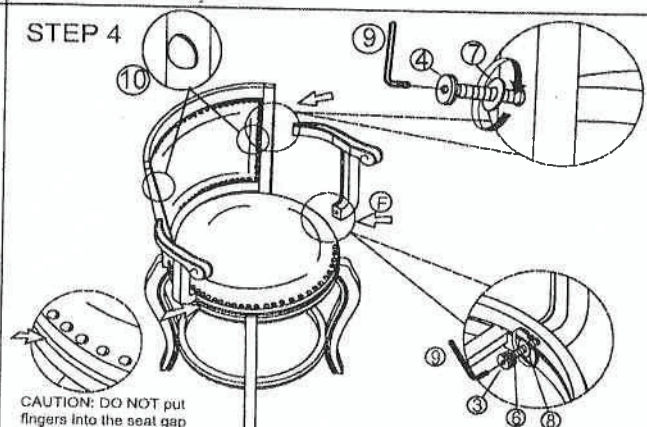
Prepare 6 sets of bolt assemble as shown above: bolt (3,5), spring washer(6) and flat washer (8) in list. Attach each leg back rest (A) to the seat (E) by inserting and tightening 1 set of bolt assembly per each hole. Tightening 1 set of bolt completely with allen key provided once all holes are aligned

STEP 3



Prepare 4 sets of bolt assemble as shown above: bolt (1), and flat washer (8) in list. Attach stool base (from step 1), by tuning swivel plate to align each hole. Then insert 1 st of bolt assembly per each hole and tighten bolt completely

STEP 4



CAUTION: DO NOT put fingers into the seat gap

Be sure to check all bolt are securely tightened prior using this stool