

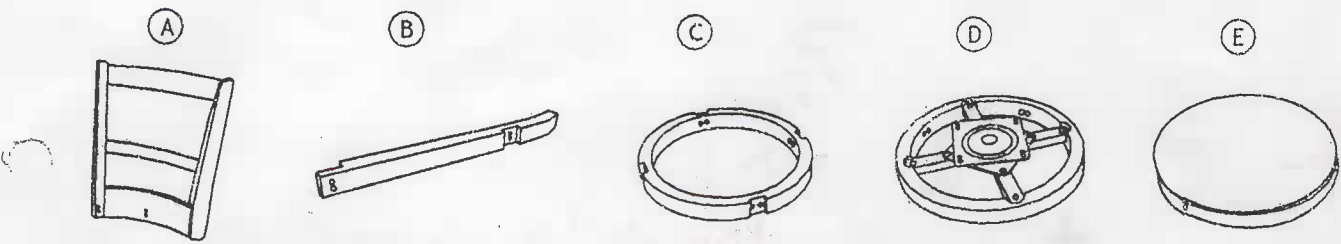
ASSEMBLY INSTRUCTIONS

MODEL: AUGUSTA SWIVEL BARSTOOL

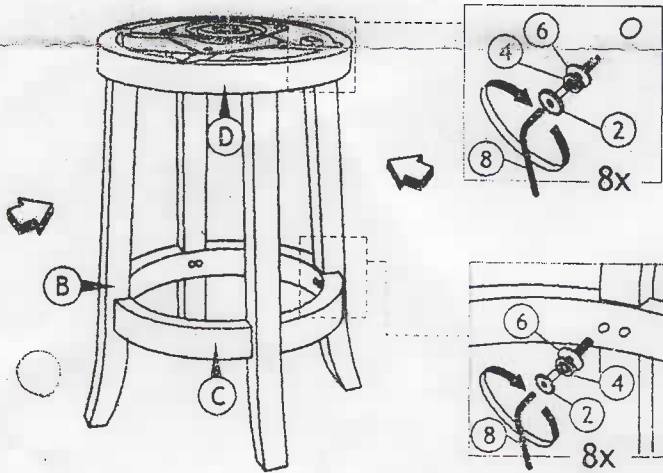
Read this instruction carefully. Refer hardware and furniture parts list for guidance. Be sure all parts are complete, before assembling. Place all wooden furniture part on a clean and flat soft surface to prevent scratches. Refer steps provided as assembling guide.

PART LIST		
ITEM	DESCRIPTION	QTY
A	Backrest	1 PC
B	Chair Leg	4 PCS
C	Footrest	1 PC
D	Apron with swivel plate	1 PC
E	Cushion Seat	1 PC

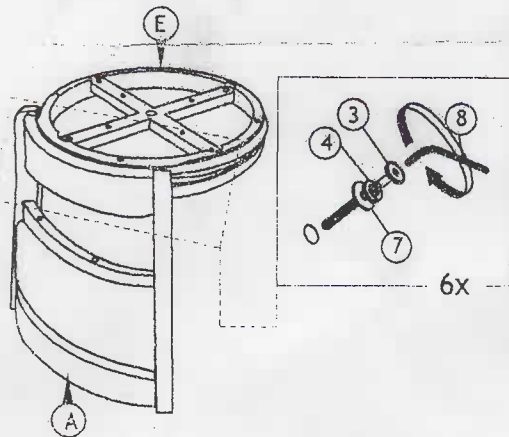
HARDWARE LIST		
ITEM	DESCRIPTION	QTY
1	JCBC Screw M6 x 25MM	4 PCS
2	JCBC Screw M6 x 40MM	16 PCS
3	JCBC Screw M6 x 45MM	6 PCS
4	Spring Washer M6 x 13MM	22 PCS
5	Flat Washer 1/4" x 19MM	4 PCS
6	Flat Washer M6 x 13MM	16 PCS
7	Flat Washer 6.5mm x 16.5mm	6 PCS
8	Allen Key Small M4	1 PC



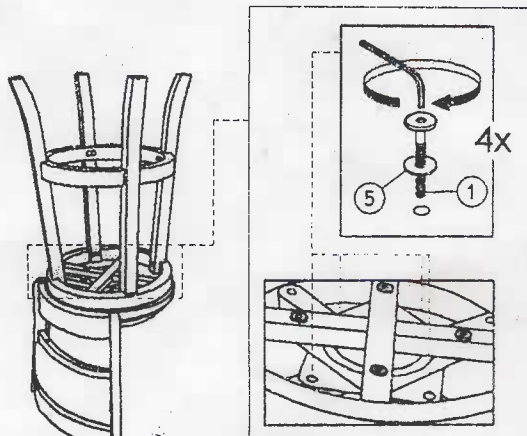
STEP 1



STEP 2



STEP 3



STEP 4

