



ASSEMBLY INSTRUCTIONS

Adult Assembly Required
Save these instructions for future use

MODEL #: 1330

NAME: BARREL TOP TOY CHEST

TOOLS NEEDED: Phillips Screwdriver

Power screwdriver is helpful, but keep your torque setting low so you don't strip the screws.

PARTS INCLUDED:

- (A) 1 - Right Side Panel
- (B) 1 - Front Panel
- (C) 1 - Rear Panel
- (D) 1 - Bottom Panel
- (E) 1 - Left Side Panel

- (F) 1 - Barrel Top Lid with Hinge
- (G) 12 - 2" Screws
- (H) 8 - 1/2" Screws
- (I) 1 - Safety Hinge Lid Support
- (J) 4 - 5/8" Screws

BEFORE YOU BEGIN ASSEMBLY:

Ensure that all the parts and hardware listed above are included. If anything is missing, please do not return the product to the store. Call or e-mail us for assistance.

Review all assembly instructions before beginning so you'll be familiar with each step and the final position of each part.

CARE INSTRUCTIONS:

Wipe clean with a damp cloth and mild detergent when needed.



Visit us online at www.badgerbasket.com

Toll-Free Customer Service: 1-800-236-1310 (Monday through Thursday 7:30 AM to 5:00 PM CST)
cs@badgerbasket.com

PLANT AND GENERAL OFFICE: PO Box 227, Edgar, WI 54426-0227 715-352-2311 Fax: 715-352-3163
CORPORATE OFFICE: 111 Lions Dr., Suite 220, Barrington, IL 60010

ASSEMBLING THE BARREL TOP TOY CHEST

STEP 1: See PICTURE 1 for Steps 1, 2, and 3. Attach the FRONT PANEL (B) and the REAR PANEL (C) to the RIGHT SIDE PANEL (A) with SIX 2" SCREWS (G). Make sure that the bottom grooves on all the panels face in.

STEP 2: Slide the BOTTOM PANEL (D) into the grooves on the FRONT (B), REAR (C), AND RIGHT SIDE PANELS (A). Be sure the bottom panel is properly seated into the grooves.

STEP 3: Attach the LEFT SIDE PANEL (E) to the FRONT PANEL (B) and REAR PANEL (C) using SIX 2" SCREWS (G). Be sure the BOTTOM PANEL is properly seated into the groove on the LEFT SIDE PANEL.

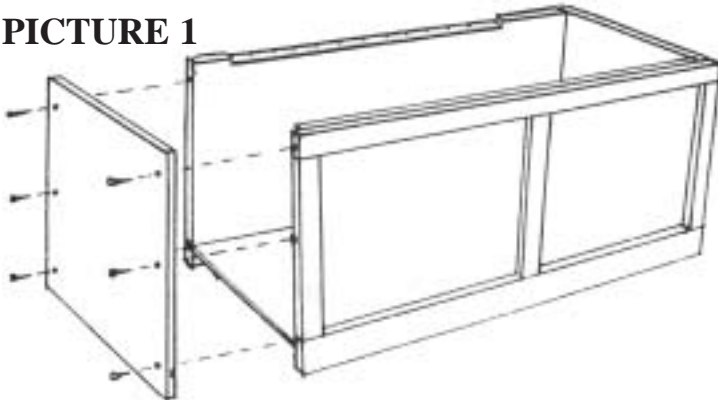
STEP 4: Attach the HINGE on the BARREL TOP LID (F) to the pre-drilled holes on the REAR PANEL (C) using EIGHT 1/2" SCREWS (H). This is easier to do if you have an assistant hold the lid in place while you insert the screws. See PICTURE 2.

STEP 5: Properly position the SAFETY HINGE LID SUPPORT (I) and secure it to the BARREL TOP LID (F) and REAR PANEL (C) using the pre-drilled holes and FOUR 5/8" SCREWS (J). See PICTURE 3.

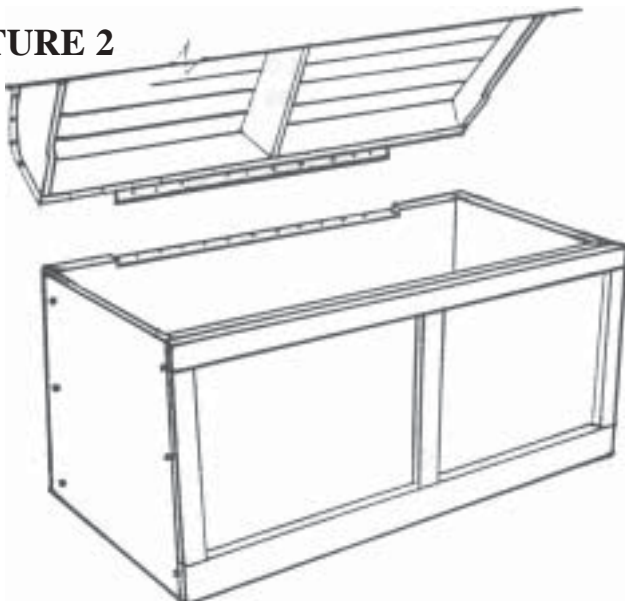
!! WARNING: Safety Hinge Lid Support must be installed properly !!

If not installed or if installed improperly, the Barrel Top Lid (F) could free fall and slam shut unexpectedly causing serious injury. The Safety Hinge Lid Support (I) has been installed properly if, after Step 5, lid remains in the open position when unattended. No maintenance of the Lid Support (I) is required.

PICTURE 1



PICTURE 2



PICTURE 3

