



Side Table

(ST22U unassembled kit)

Tools Required:

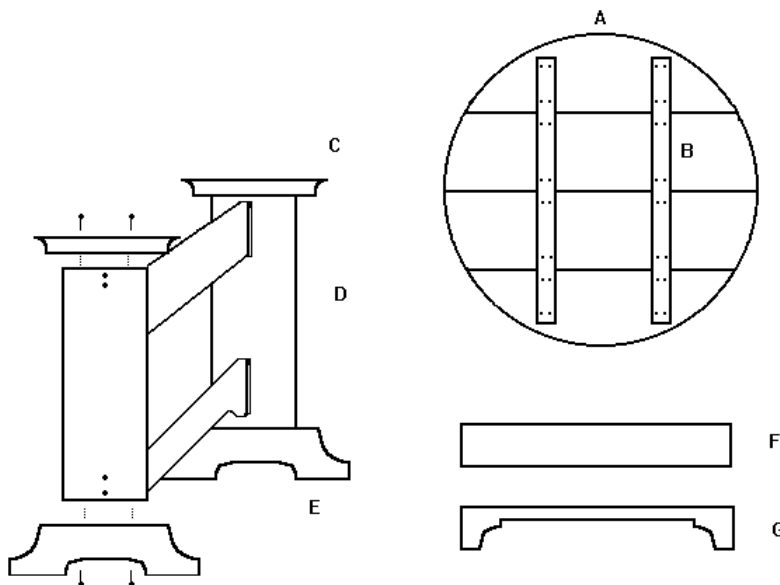
Power screwdriver with a #2 Philips or Robertson bit : Use of wood glue when assembling is optional. Before assembly please check package contents to verify all parts are accounted for.

Package Contents:

- (A) Table Top Boards ...4
- (B) Cleat ...2
- (C) Top Support ...2
- (D) Leg ...2
- (E) Feet ...2
- (F) Top Brace ...1
- (G) Bottom Brace ...1

Hardware:

- 1 1/4" Zinc screw ...32
- 2" Zinc screw ...16
- 2 1/2" Zinc screw ...12
- 4" Zinc screw ...4
- 1/4" wood shim ...2



Step 1: Build Table Top

- Arrange 4 table top boards (A) tightly together, placed finished side down, to form the round table top.
- Measure 4-1/2 inches from each end and attach both cleats (B) to all 4 boards with 1 1/4 inch screws.

Step 2: Build Legs

- Set leg, foot and top support onto their side.
- Slip a couple 1/4" shims beneath the leg to elevate the leg and center it between the foot and top support.
- Attach the top support to one end of leg using 2 1/2 inch screws.
- Attach foot to the other end of leg using 4 inch screws.

Step 3: Assemble Table

- Stand leg assembly onto foot. Set bottom brace onto top lip of foot and attach with 2 1/2 inch screws.
- Attach top brace to other end of leg using 2 1/2 inch screws.
- Repeat for other leg.
- Center leg assembly over cleats on bottom side of table – attach using 2 inch screws.

♥ Visit our website for more handcrafted Western Red Cedar products: www.allthingscedar.com

Thank you for choosing All Things Cedar