



Loveseat Instructions (LS48U - Unassembled kit)

Tools Required:

For your convenience we use Recex rust resistant zinc plated hardware.
You will need a #2 Philips or Robertson screwdriver and a 1/2" wrench.

Package Contents:

- (a) Base supports... 3
- (b) Struts... 3
- (c) Legs... 2
- (d) Middle leg... 1
- (e) Back support... 1

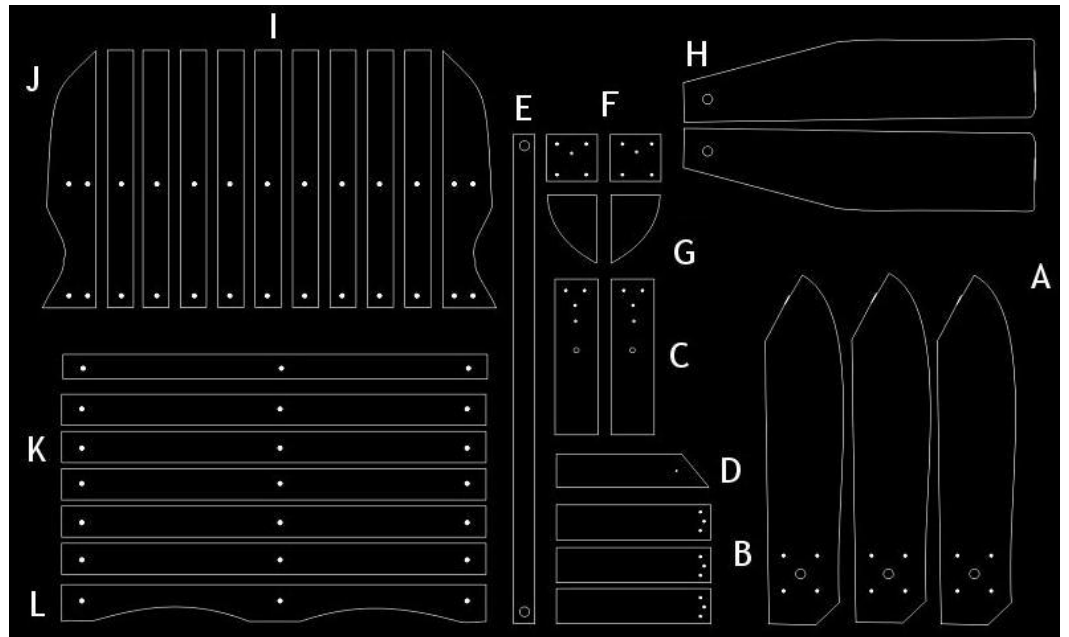
- (f) Arm supports... 2
- (g) Curved braces... 2

- (h) Arm paddles... 2
- (i) Back slats... 9
- (j) Scalloped back slats... 2

- (k) Seat slats... 6
- (l) Front rail... 1

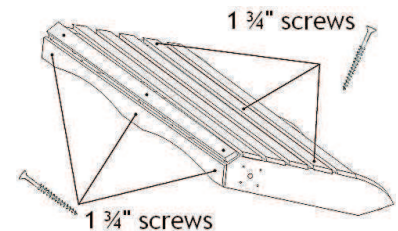
Hardware:

- 1 3/4" screw... 66
- 1 1/2" screw... 25
- Carriage bolt... 5
- Washer... 5
- Hex Nut... 5
- 3/4" wood spacer... 2



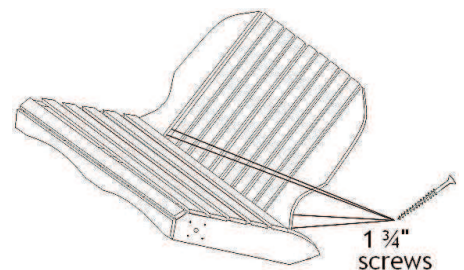
STEP 1. Build Seat

- Stand 3 Base Supports (A) on their bottom edge and attach Front Rail (L) using 1 3/4 inch screws.
- Working from front to back, attach seat slats to base using the 3/4 inch spacer for slat uniformity and 1 3/4 inch screws - attach narrow seat slat last.



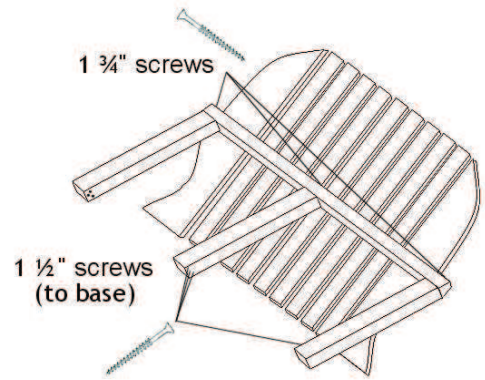
STEP 2. Attach Back

- Fasten bottom of scallop-slats (J) to rear of seat using 1 3/4 inch screws, then attach remaining back-slats (I) using 3/4 inch spacer to attain uniform distance between slats.



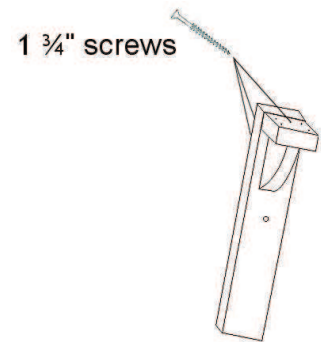
STEP 3. Attach Back Support

- Using 1 ¾ inch screws, attach 3 struts to underside of beveled back-support.
- Set bevel edge of back-support along pre-drilled holes in back-slats and attach using 1 ¾ inch screws – use ¾ inch spacer to attain uniform distance between slats.
- Fasten bottom of struts to base supports using 1 ½ inch screws.



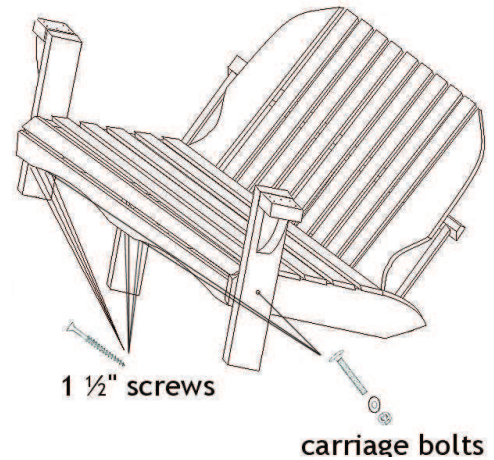
STEP 4. Build Arm Support

- Line up narrow edge of Arm Support (F) with pre-drilled holes in leg.
- Fasten arm support to leg using two 1 ¾ inch screws.
- Set curved arm brace (G) beneath arm support.
- Fasten the leg to the arm brace using two 1 ¾ inch screws.
- Secure top of arm support to curved arm brace using a single 1 ¾ inch screw.



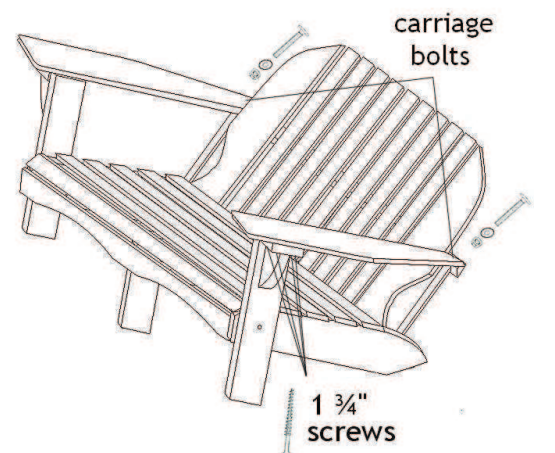
STEP 5. Attach Legs

- Raise the Loveseat and attach front legs to base supports using bolt, washer and nuts.
- Secure legs to base supports using four 1 ½" screws on the underside of each base support.
- Fasten the shorter middle leg (D) to the center Base Support using bolt, washer, nut and screws.



STEP 6. Attach Arms

- Place front of arm paddle (H) on leg assembly, align bolt hole in back of arm with bolt hole on back support and fasten together using bolt, washer and nut.
- Secure arm paddle to front leg from beneath using 1 ¾ inch screws.
- If base is not sitting level simply remove bottom screws on one or all of the rear struts and adjust strut up or down to level.
- Your Loveseat is now ready for use.



♥ Thank you for choosing All Things Cedar