

Potting Bench

(PB48U - Unassembled Kit)

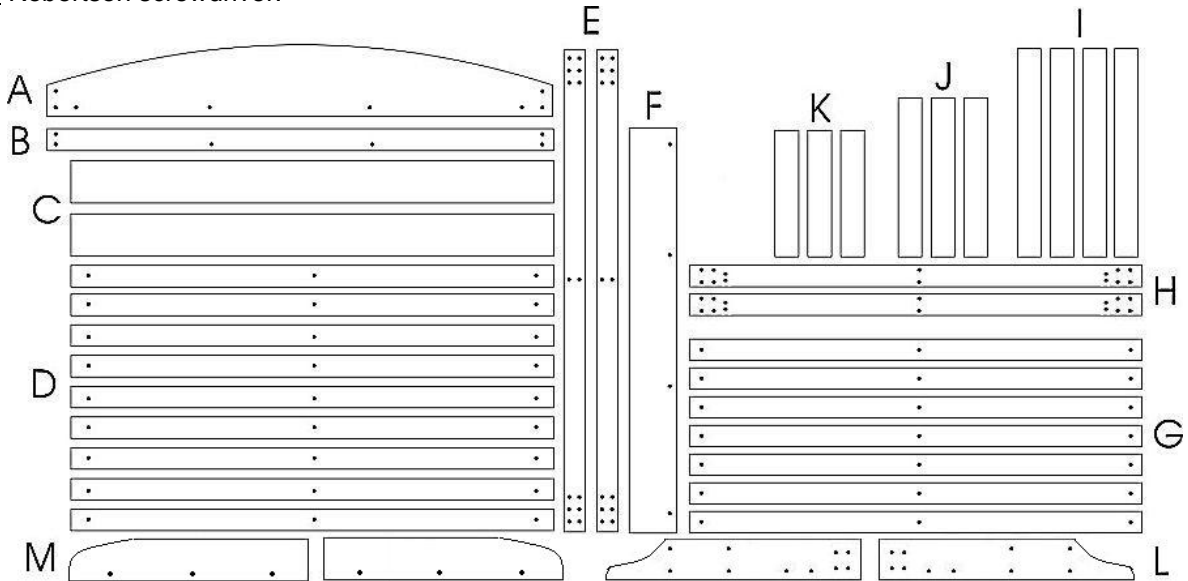
For your convenience we use Recex multi-drive, rust-resistant zinc plated hardware. You will need a #2 Philips or Robertson screwdriver.

Package Contents:

- (A) Hutch Profile ...1
- (B) Hutch Brace ...1
- (C) Hutch Shelf...2
- (D) Top Slat...9
- (E) Top Apron...2
- (F) Backstop...1
- (G) Bottom Slat...7
- (H) Bottom Apron...2
- (I) Leg...4
- (J) 23"-Top Cleat...3
- (K) 18"-Bottom Cleat...3
- (L) Hutch Side...2
- (M) Bench Wing...2

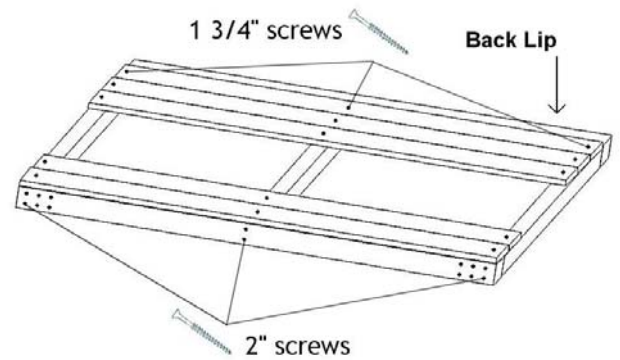
Hardware:

- 1 3/4" Zinc Screw...74
- 2" Zinc Screw...76
- 1/4" Wood Spacers - 2



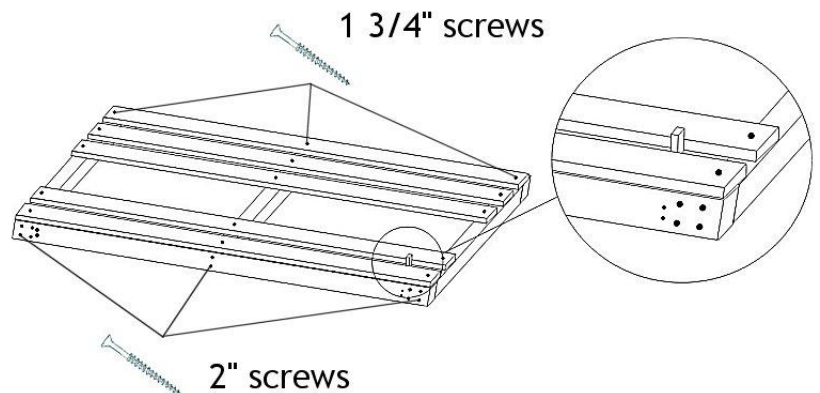
STEP 1. Build Top Table

- Place 3 Top Cleats (J) between 2 Top Aprons (E) and fasten together using 2 inch screws.
- Set top slats (D) snugly together across top cleats, leaving a lip along back of table for later placement of backstop. Attach using 1 3/4 inch screws.



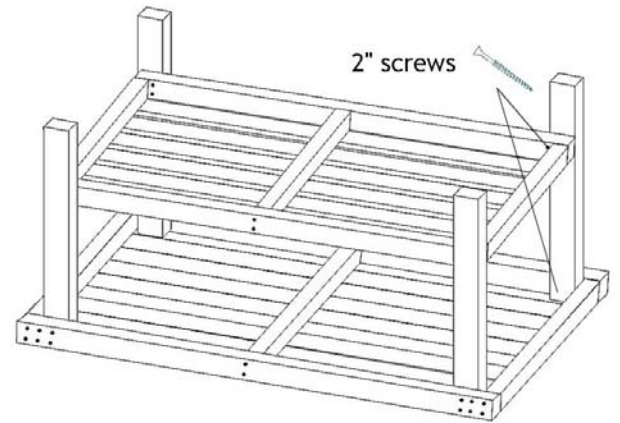
STEP 2. Build Bottom Table

- Build bottom table using shorter cleats – evenly space bottom slats across cleats using the 1/4" wood spacer.



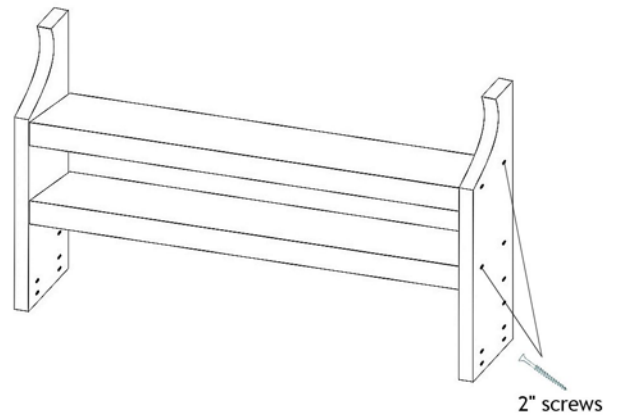
STEP 3. Attach Legs

- Place Top Table upside down and attach 4 Legs (I) to inside of Top Apron using 2 inch screws.
- For Bottom Table height, mark 4 inches up from bottom of each leg.
(This distance can be adjusted to suit your personal preference.)
- Place Bench on its side. Insert Bottom Table between legs. Align with mark on inside of each leg and attach from inside using 2 inch screws.



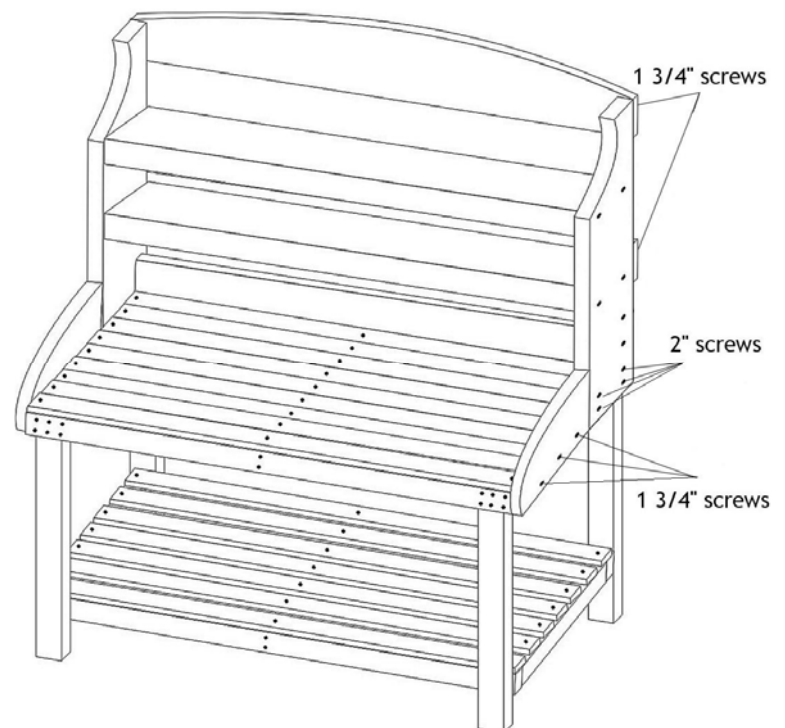
STEP 4. Build Hutch

- Align Hutch Shelves (C) between pre-drilled hole placements on Hutch Sides (L) and attach using 2 inch screws.



STEP 5. Attach Hutch

- Lay Bench onto its back and slip the Hutch over the Top Cleat. Attach hutch using 2 inch screws.
- Stand Bench onto legs and fit Backstop (F) onto lip at back of bench, attach using 1 3/4 inch screws.
- On back of hutch attach Hutch Brace (B) to middle shelf with 1 3/4 inch screws.
- Attach Profile (A) to Top Shelf and sides using 1 3/4 inch screws.
- Attach Bench Wing (M) to ends of Bench using 1 3/4 inch screws.



Enjoy your new Potting Bench!