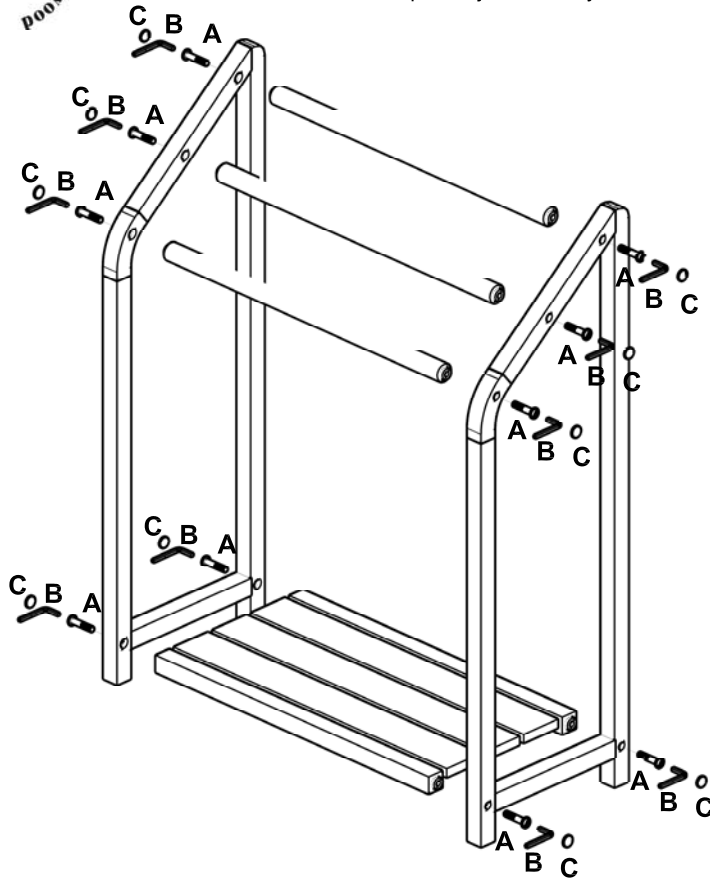
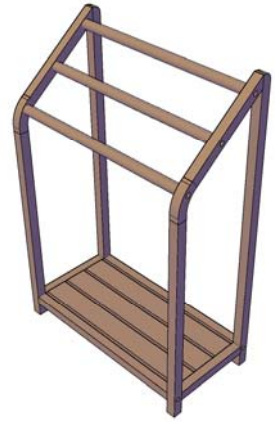




Assembly Instructions

No other wood compares to Teak's natural water resistance, durability and anti-fungal properties

- Insert bolt into hole. Tighten bolt on imbedded nut until wood pieces join securely



A. Bolt 40mm=10 pcs

B. L key=1 pcs

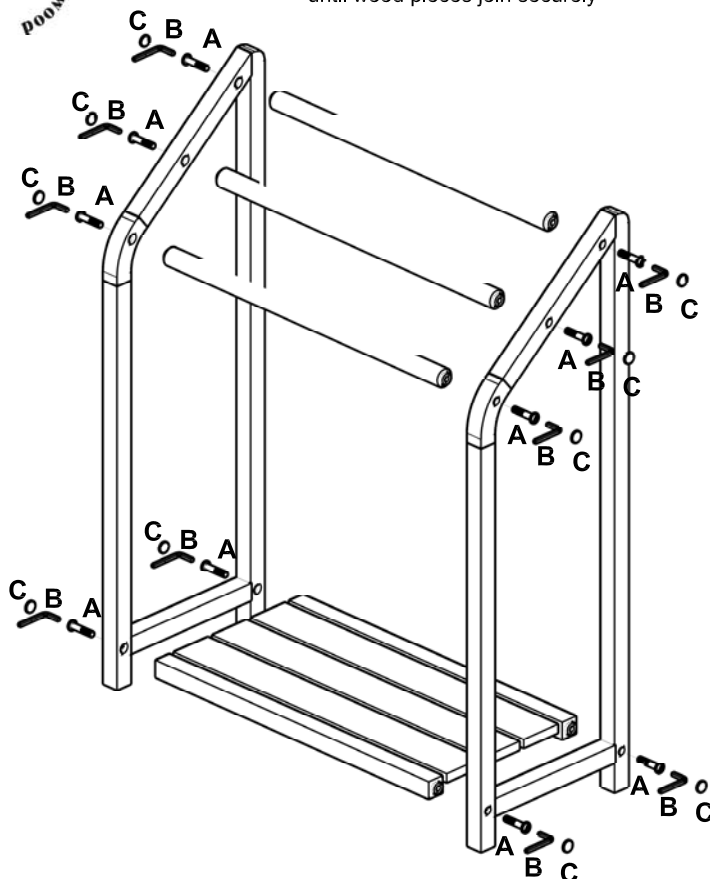
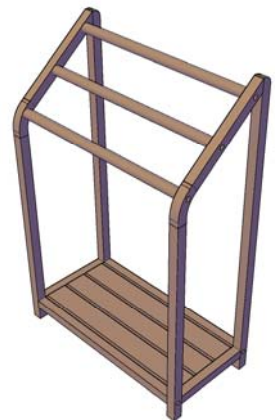
C. teak plug=10 pcs



Assembly Instructions

No other wood compares to Teak's natural water resistance, durability and anti-fungal properties

- Insert bolt into hole. Tighten bolt on imbedded nut until wood pieces join securely



A. Bolt 40mm=10 pcs

B. L key=1 pcs

C. teak plug=10 pcs