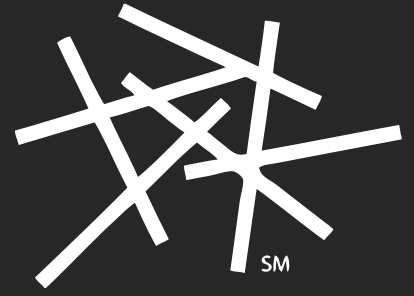
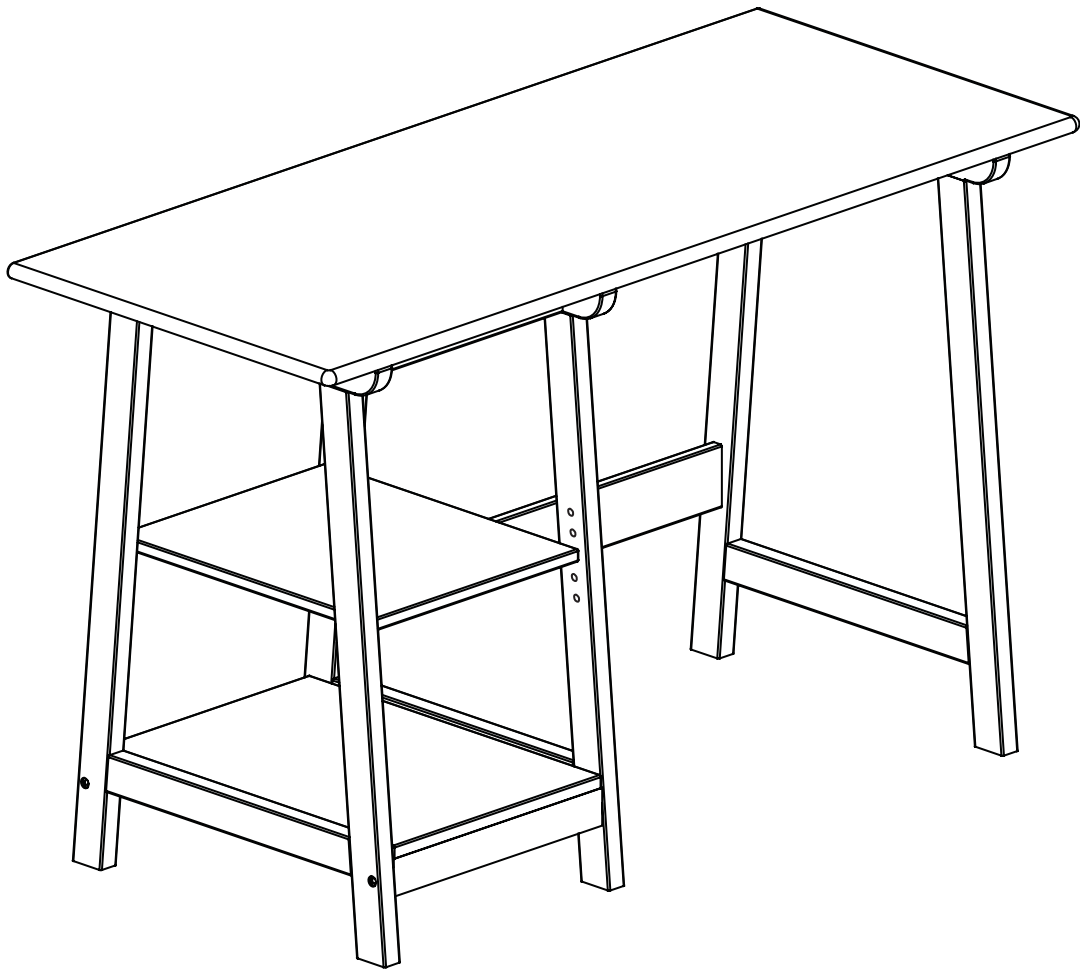


hayneedle



ITEM NAME: Open Computer Desk with Adjustable Shelf - Black / White

SKU: ANSE001-1 / ANSE002-1



For assistance with assembly, please contact customer service
1-888-880-4884

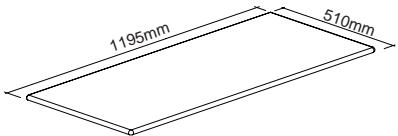
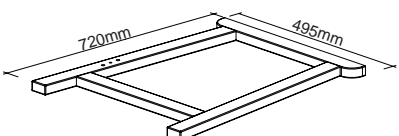
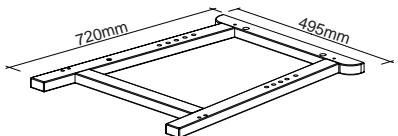
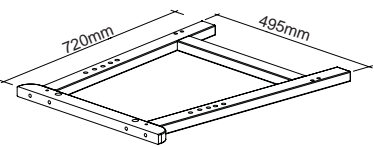
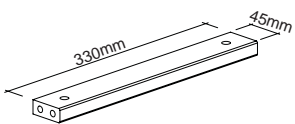
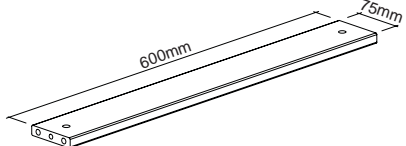
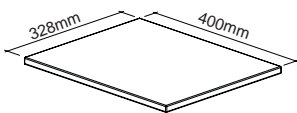
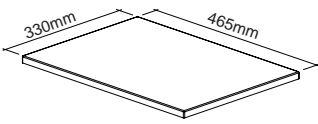
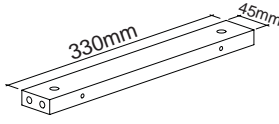
PRE-ASSEMBLY PREPARATION:



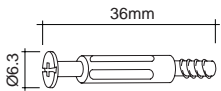
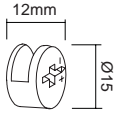
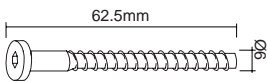
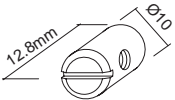
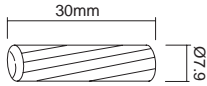
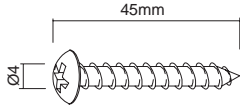
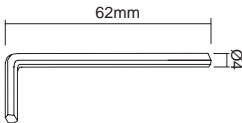
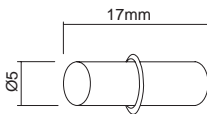
DO NOT LET CHILDREN PLAY IN OR AROUND THE UNIT DUE TO THE POSSIBLE RISK OF FINGER ENTRAPMENT

- Please read through these instructions before beginning assembly.
- Two adults are recommended for assembly.
- Clear out the space for assembly and lay out all parts based on Parts List, extra room will allow you to easily determine if all the pieces are present.
- Save all packing materials until assembly is complete to avoid accidentally discarding smaller parts or hardware.
- Keep small parts and pieces away from children until fully assembled.
- Please check for any loose screws and tighten them before you use.

PANEL AND FITTINGS IDENTIFICATION:

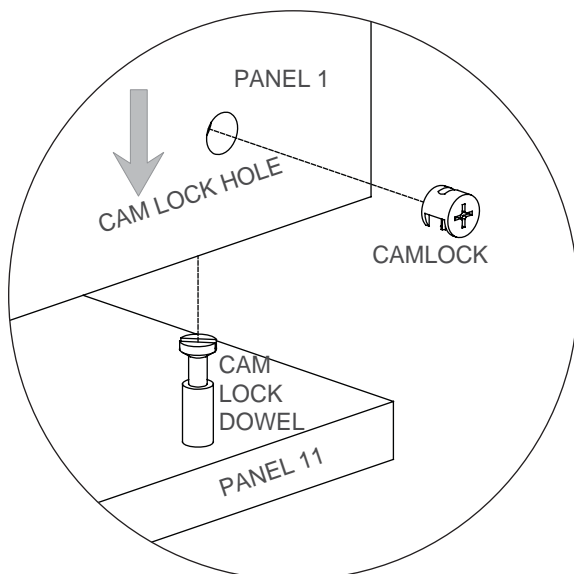
 <p>Top panel (1) Qty:1</p>	 <p>Right frame (2) Qty:1</p>	 <p>Middle frame (3) Qty:1</p>
 <p>Left frame (4) Qty:1</p>	 <p>Top rail (5) Qty:2</p>	 <p>Back rail (6) Qty:1</p>
 <p>Adjustable shelf (7) Qty:1</p>	 <p>Fixed shelf (8) Qty:1</p>	 <p>Bottom rail (9) Qty:2</p>

HARDWARE LIST:

 <p>Cam Pin (A) Qty:6+1</p>	 <p>Cam Lock (B) Qty:6+1</p>	 <p>Long Bolt 1/4"X 2-1/2" (C) Qty:10+1</p>
 <p>T-Nut (D) Qty:10+1</p>	 <p>Wood Dowel (E) Qty:18+1</p>	 <p>Screw 3/16"X1-3/4" (F) Qty:4+1</p>
 <p>Allen Wrench (G) Qty:1</p>	 <p>Shelf Peg (H) Qty:4+1</p>	

CAM LOCK INSTRUCTION

This product is assembled with a cam lock set



STEP 1: Insert Cam lock into the cam lock hole of panel 1. Cam lock arrow should be pointing to wards the cam lock dowel insertion hole.

STEP 2: Insert wooden dowel into panel 11.

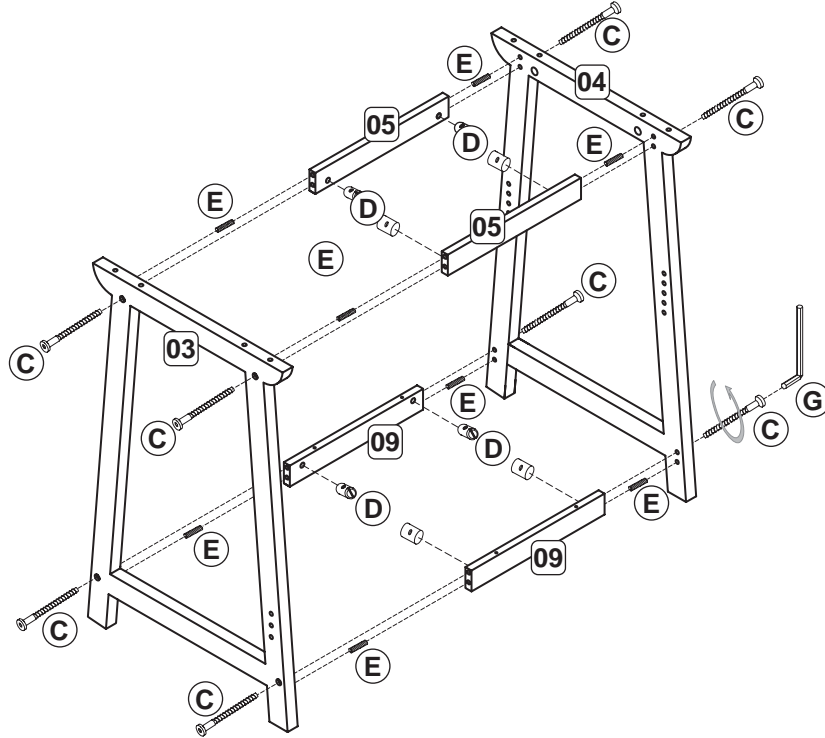
STEP 3: Connect panel 1 and panel 11 by inserting the cam lock dowel through the hole to while the cam lock arrow is pointing.

STEP 4: Press panel 1 and panel 11 together.

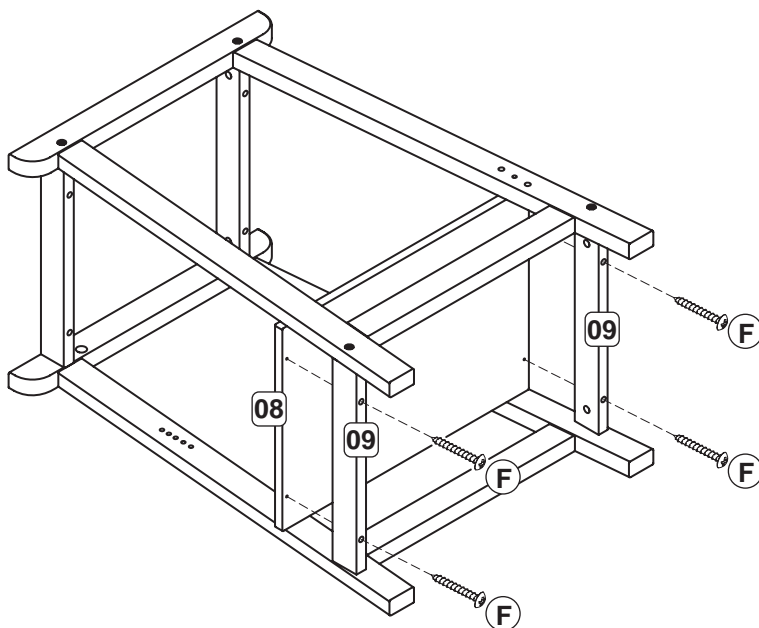
STEP 5: Lock panels together by turning cam lock clockwise using a screwdriver. The cam lock and dowel should make a click sound, indicating they are locked together.

STEP-BY-STEP ASSEMBLY:

- 1** STEP 1:
- Insert the Wood Dowels (E) and T-Nuts (D) into pre-drilled holes at the Top and Bottom rails (5, 9).
 - Attach Top rails (5) and Bottom rails (8) to Middle frame (3) and Left frame (4) using Long Bolts (C) to lock the T-Nuts (D) and tighten using Allen Wrench (G).

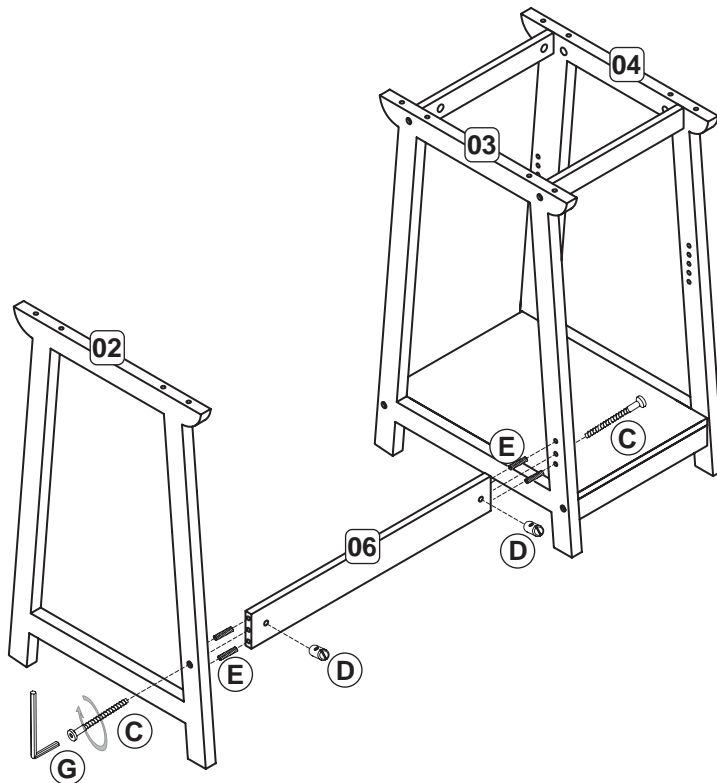


- 2** STEP 2:
- Tip assembled unit from step 1 onto its side as shown above.
 - Secure the Fixed shelf (8) to the Bottom rails (9) with Screws (F) as shown above.
 - Tighten with a Phillips head screwdriver (not included).
 - Tip assembled unit upright.

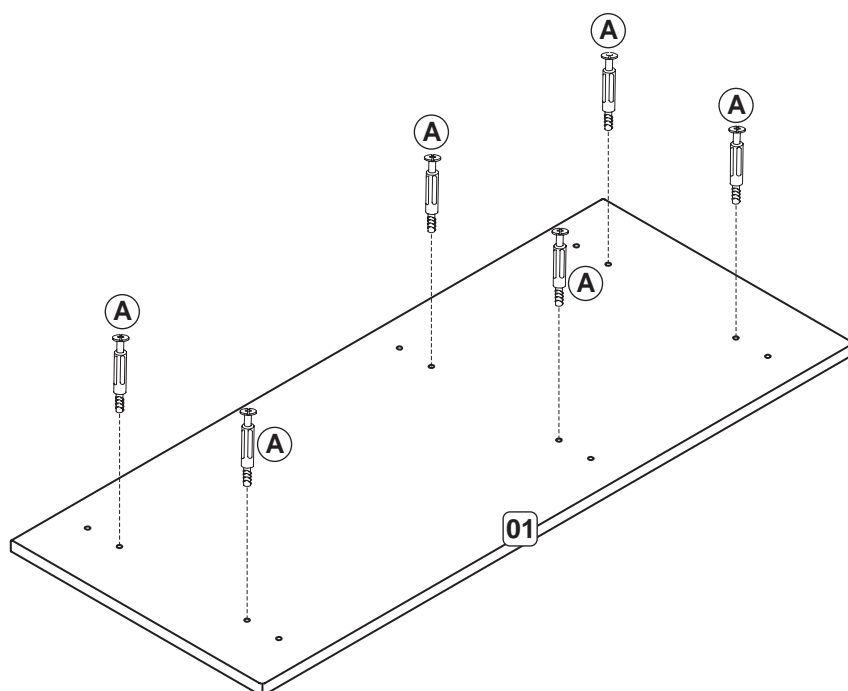


STEP-BY-STEP ASSEMBLY:

- 3** STEP 3:
- Insert the Wood Dowels (E) and T-Nuts (D) into pre-drilled holes of the Back rail (6).
 - Attach the Back rail (6) to Middle frame (3) and Right frame (2) using Long Bolts (C) and the T-Nuts (D), with the Allen Wrench (G).

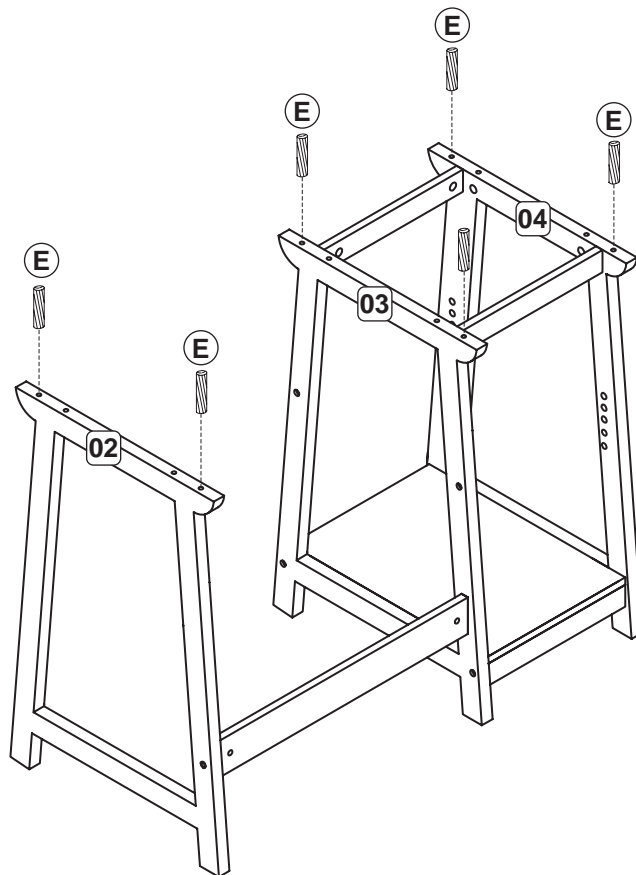


- 4** STEP 4:
- Insert the Cam Pins (A) to the Top panel (1) as shown above.
 - Tighten with a philips head screwdriver (not included).

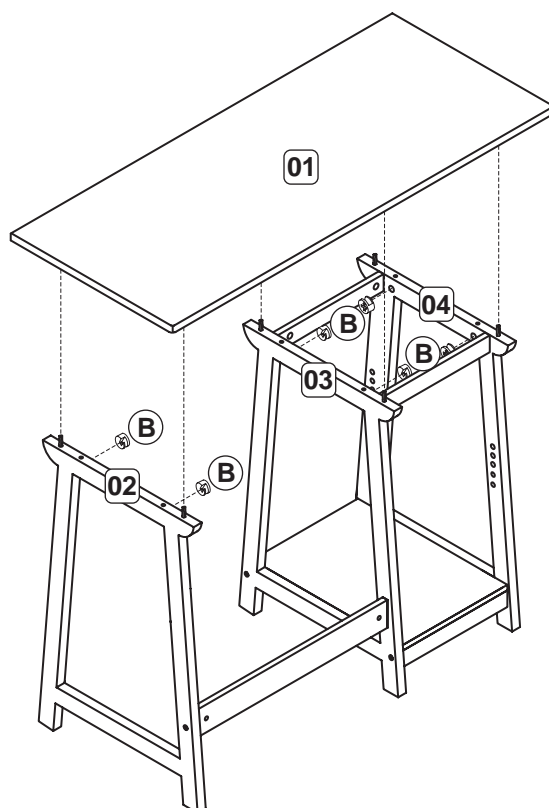


STEP-BY-STEP ASSEMBLY:

5 STEP 5: Insert the Wood Dowels (E) into Top of frames (2,3,4) as shown above.



6 STEP 6: Attach Top panel (1) to the assembled base from step 5 using Cam Locks (B) and tighten with a Phillips head screwdriver (not included).

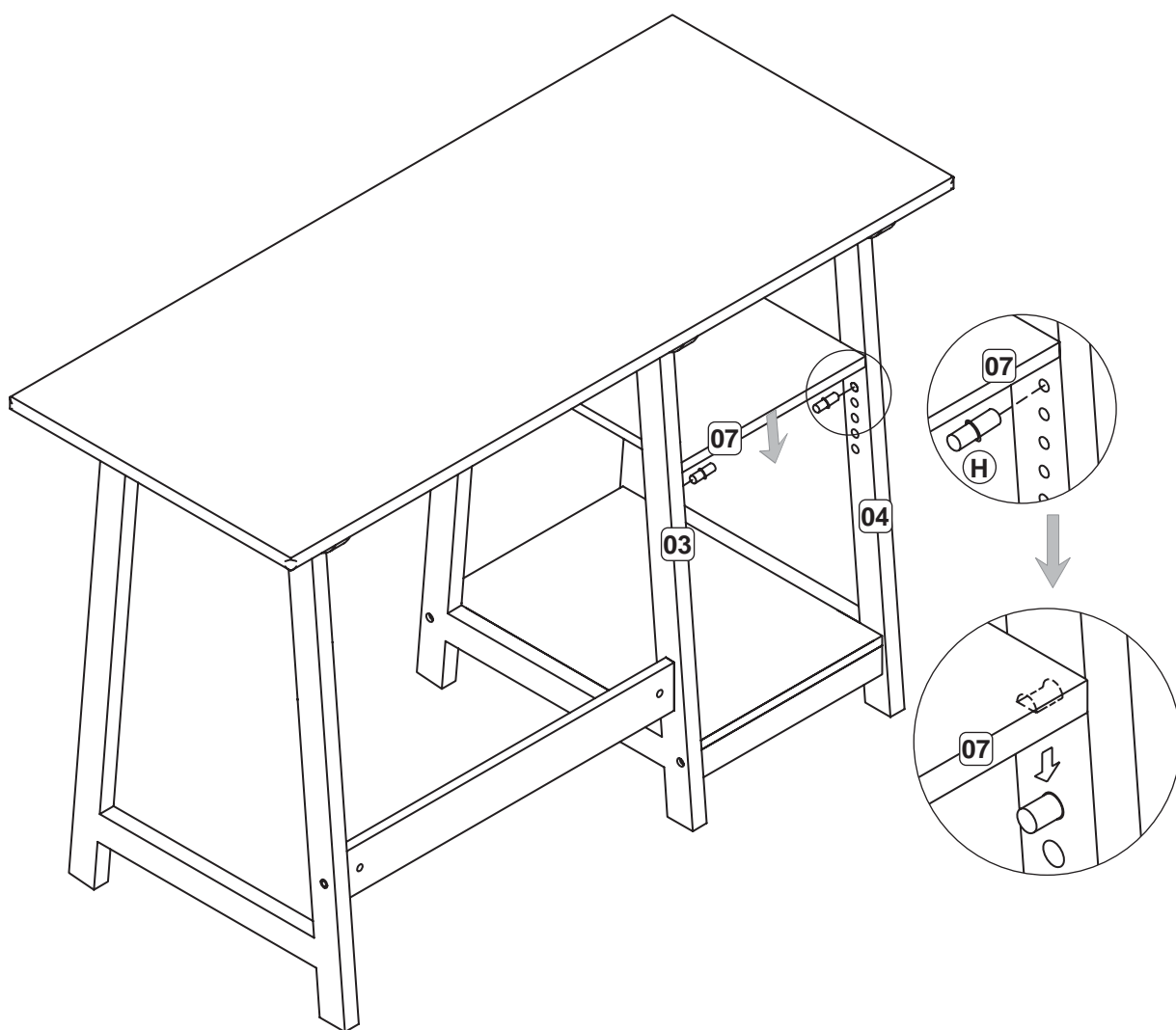


STEP-BY-STEP ASSEMBLY:

- 7** STEP 7:
- Insert Shelf Pegs (H) into the pre-drilled holes on Middle frame (3) and Left frame (4) as shown above.
 - Place Adjustable shelf (7) on Shelf Pegs (H) as shown above.

CAUTION!


Check if all the parts and hardware are fixed correctly before using the product. Failure to fix the parts and hardware properly can render the product unstable and may cause damage or injury.



MAINTENANCE AND CARE TIPS FOR WOOD FURNITURE:

Wooden furniture caring tips:

- Always dust, wipe and clean in the direction of the wood grains.
- Check and re-tighten screws/blots after the product has been used for a period of time.
- Heat creates chemical changes in the furniture finish. As a result, whitish spots may appear.
- Dust with a soft cloth moistened with a polish, as the polish will help eliminate the scratching that occurs with dry dusting.
- Soap and water are not advisable for wood surfaces.
- Do not allow rubber or vinyl material to lay on the furniture.
- Always use coasters under beverage glasses and flowerpots.
- Liquid spills should be removed immediately. Using a soft clean cloth, blot the spill gently. Avoid rubbing.
- It is best to keep your furniture in a climate controlled environment. Extreme temperature and humidity changes can cause warping, shrinking and spitting of wood. It is advised to keep furniture away from direct sunlight as it may damage the finish.

“  **CAUTION** This unit is intended for use only with the products and maximum weights indicated. Use with other products or products heavier than the maximum weights indicated may result in instability causing possible injury.”

