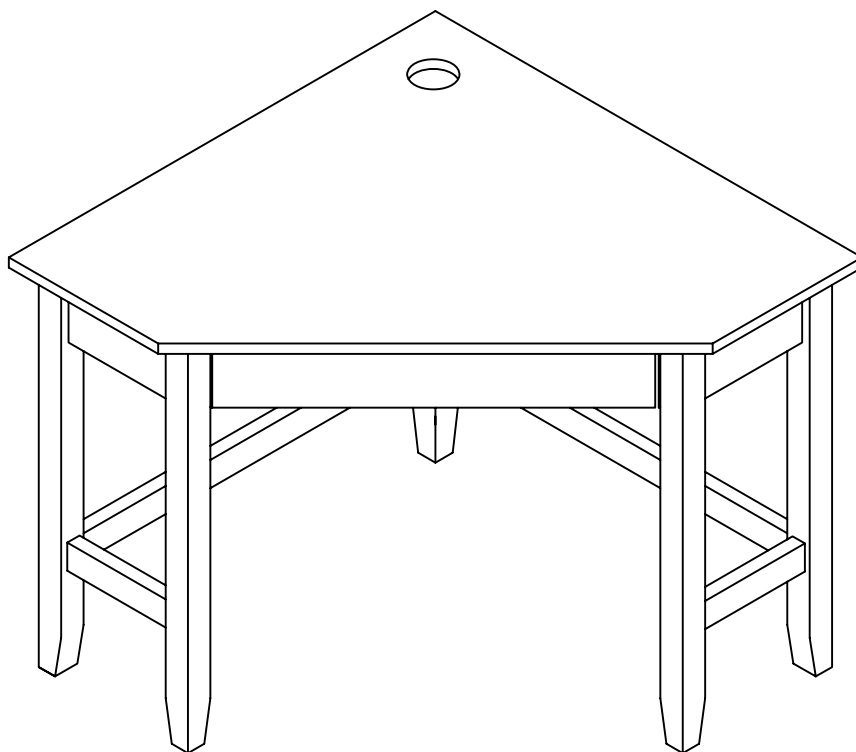


hayneedle



ITEM NAME: Corner Laptop Writing Desk ↗

SKU: ALZ981-1, ALZ982-1, ALZ983-1 ↗



For assistance with assembly, please contact
Hayneedle Customer Care Center
1-888-880-4884

1

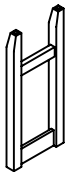
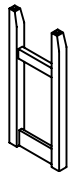
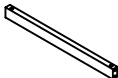
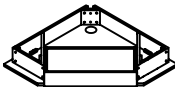

Pre-assembly preparation:



THIS PACKAGE MAY CONTAIN SMALL ITEMS WHICH SHOULD BE KEPT AWAY FROM CHILDREN.

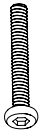




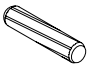

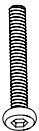
- Please check that all contents of this package before attempting to assemble the product.
- Read this Assembly instructions in full before you begin to assemble.
- For ease of assembly, two people are recommended.
- Please use CAUTION AND CARE WHEN LIFTING the product to avoid personal injury and (or) damage to the product.
- A Philip Screwdriver is required to complete the assembly that is not included with the product.
- The hardware packet contains SMALL ITEMS which should be KEPT AWAY FROM CHILDREN.

PANEL AND FITTINGS IDENTIFICATION:

1		2		3		4		5	
	Left Side Frame 1 PC		Right Side Frame 1 PC		Rail 2 PCS		Desk Top 1 PC		Back Leg 1 PC

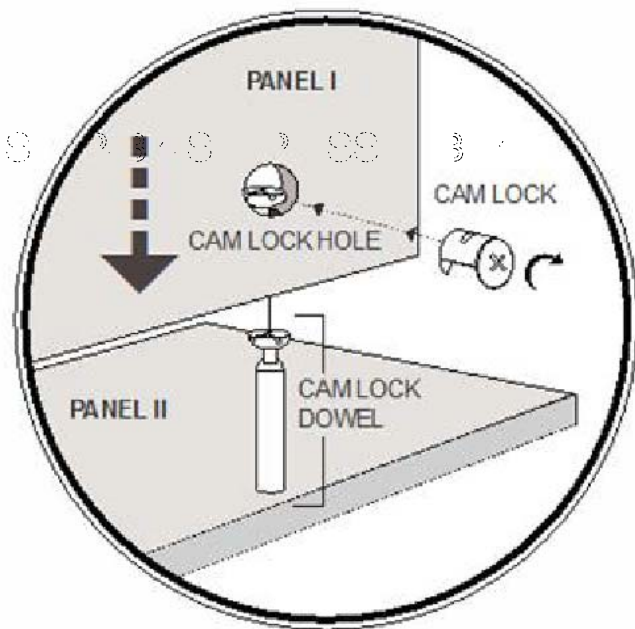
HARDWARE LIST:

Scaled to Actual Size

A		B		C		D		E	
	Bolt Ø1/4"*45mm 8 PCS		Washer Ø1/4"*19mm 2 PCS		Sp Washer Ø1/4" 2 PCS		Cam Lock Ø15*12mm 4 PCS		Cam Lock Dowel Ø6*35mm 4 PCS
F		G		H					
	Wooden Dowel Ø8*30mm 4PCS		Hex Wrench 4mm 1PC		Bolt Ø1/4"*57mm 2 PCS				

CAM LOCK INSTRUCTION

This product is assembled with a cam lock set



STEP 1: Insert Cam Lock into the cam lock hold of Panel I. Cam lock arrow should be pointing towards the cam lock dowel insertion hole.

STEP 2: Insert the cam lock dowel into Panel II.

STEP 3: Connect Panel I and Panel II by inserting the cam lock dowel through the hole to which the cam lock arrow is pointing.

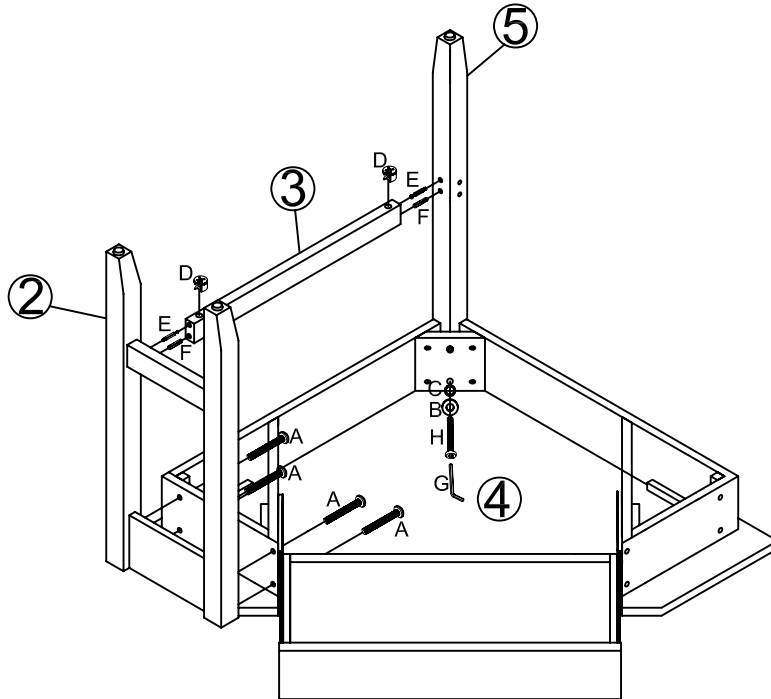
STEP 4: Press panel I and Panel II together.

STEP 5: Lock panels together by turning cam lock clockwise using a screwdriver. The cam lock and dowel should make a click sound, indicating they are locked together.

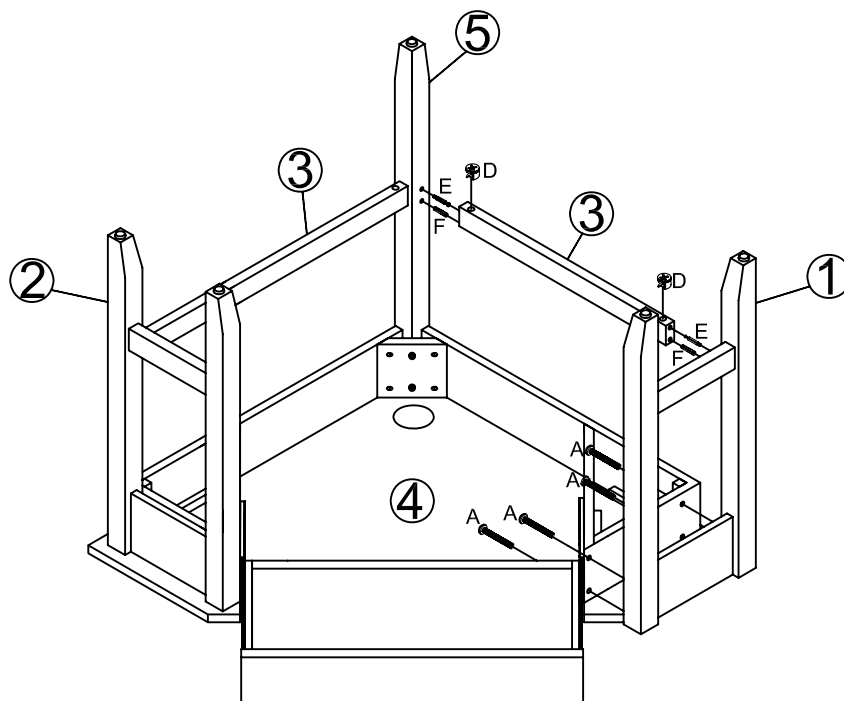
STEP-BY-STEP ASSEMBLY:

STEP-BY-STEP ASSEMBLY:

- 1** STEP 1: Lay the Desk Top (4) upside down; attach Right Side Frame (2) to Desk Top (4) with 4 pcs Bolt(A) by using a Hex Wrench (G). Connect 1pc Rail (3) to part (2) (5) with 2pcs Wooden Dowel (F), 2pcs Cam Lock(D) and CamLock Dowel(E). Fix the Back Leg (5) to Desk Top (4) with 2pcs Bolt, Washer, SP Washer (H+B+C) by using a Hex Wrench (G).



- 2** STEP 2: Attach the Left Side Frame (1) to Desk Top (4) with 4 pcs Bolt (A) by using Hex Wrench (G) clockwise. Connect the other Rail (3) to part (1) (5) with 2pcs Wooden Dowel(F), 2pcs Cam Lock(D) and Cam Lock Dowel(E). Tighten all bolts and cam locks and Level up the Desk.





**For assistance with assembly, please contact customer service
1-888-880-4884**