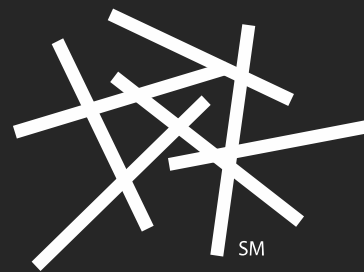
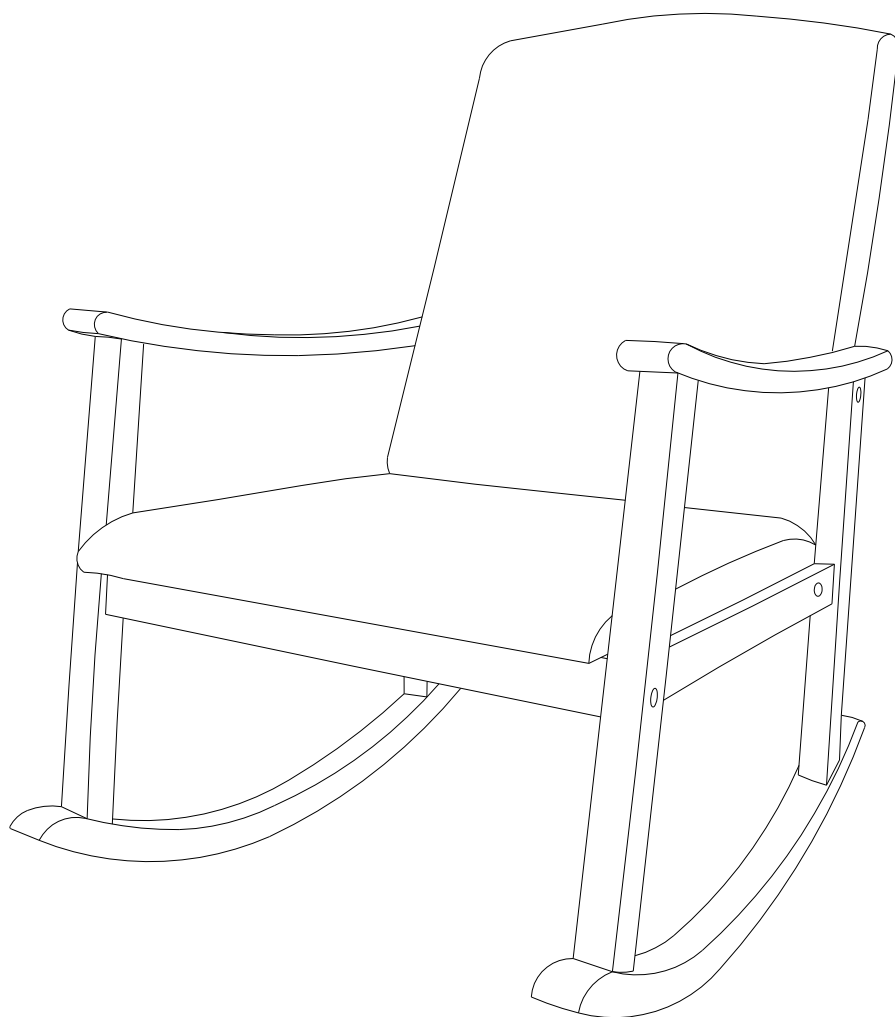


hayneedle



ITEM NAME: HOLDEN MODERN ROCKING CHAIR - UPHOLSTERED - IVORY

SKU: ALZ875-1



**For assistance with assembly, please contact
Hayneedle Customer Care Center
1-888-880-4884**

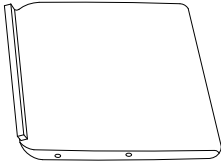
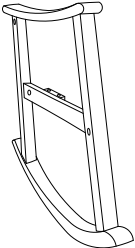
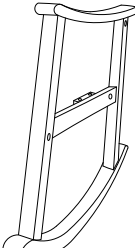
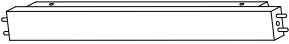
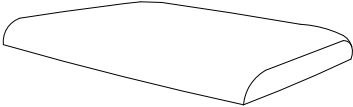
Pre-assembly preparation:



THIS PACKAGE MAY CONTAIN SMALL ITEMS WHICH SHOULD BE KEPT AWAY FROM CHILDREN

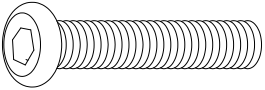
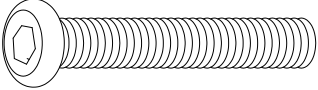
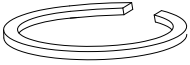
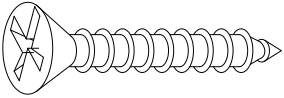

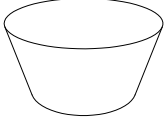
- Please check that all contents of this package before attempting to assemble the product.
- Read this Assembly instructions in full before you begin to assemble.
- For ease of assembly, two people are recommended.
- Please use CAUTION AND CARE WHEN LIFTING the product to avoid personal injury and (or) damage to the product.
- A Philip Screwdriver is required to complete the assembly that is not included with the product.
- Assembly time: approximately 30 minutes.
- The hardware packet contains SMALL ITEMS which should be KEPT AWAY FROM CHILDREN.

PANEL AND FITTINGS IDENTIFICATION:

 <p>Chair Back (A) Qty:1</p>	 <p>Right Side Frame (B) Qty:1</p>	 <p>Left Side Frame (C) Qty:1</p>
 <p>Front Rail (D) Qty:1</p>	 <p>Seat Cushion (E) Qty:1</p>	

HARDWARE LIST:

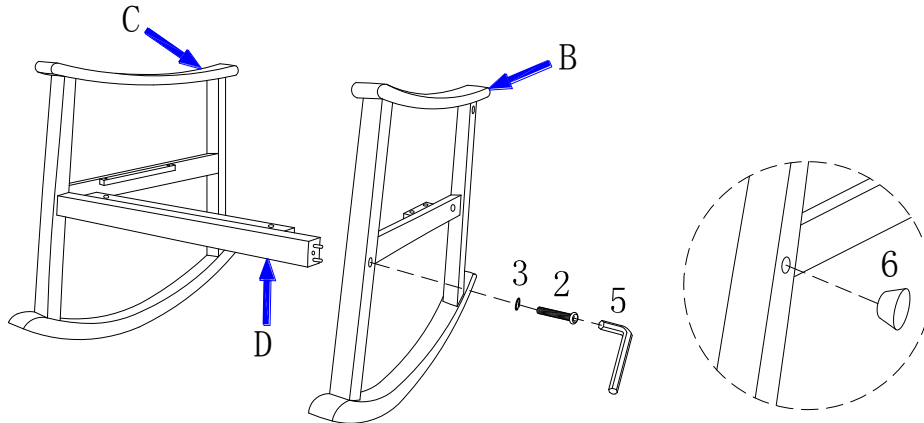
Scaled to Actual Size

 <p>Bolt (1) Φ 6.4mm*31.7L Qty: 2</p>	 <p>Bolt (2) Φ 16.4mm*44.5L Qty: 4</p>	 <p>Lock washer (3) Φ 6.4mm Qty: 6</p>
 <p>Screw (4) #8: 31.7mm L Qty: 7</p>	 <p>Allen Wrench (5) 4mm Qty: 1</p>	 <p>Wood Plug (6) 14mm Qty: 6</p>

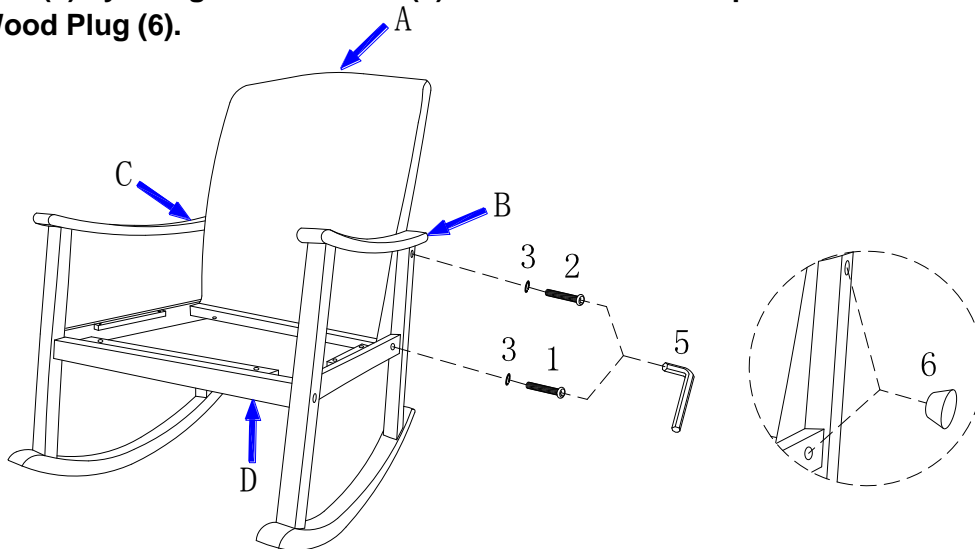
STEP-BY-STEP ASSEMBLY:

- 1** STEP 1: Secure the Front Rail (D) to Side Frame (B/C) with 2pcs Spring Washer (3), 2pcs Bolt (2) by using Allen Wrench (5) clockwise. Cover exposed hole with 2pcs Wood Plug (6).

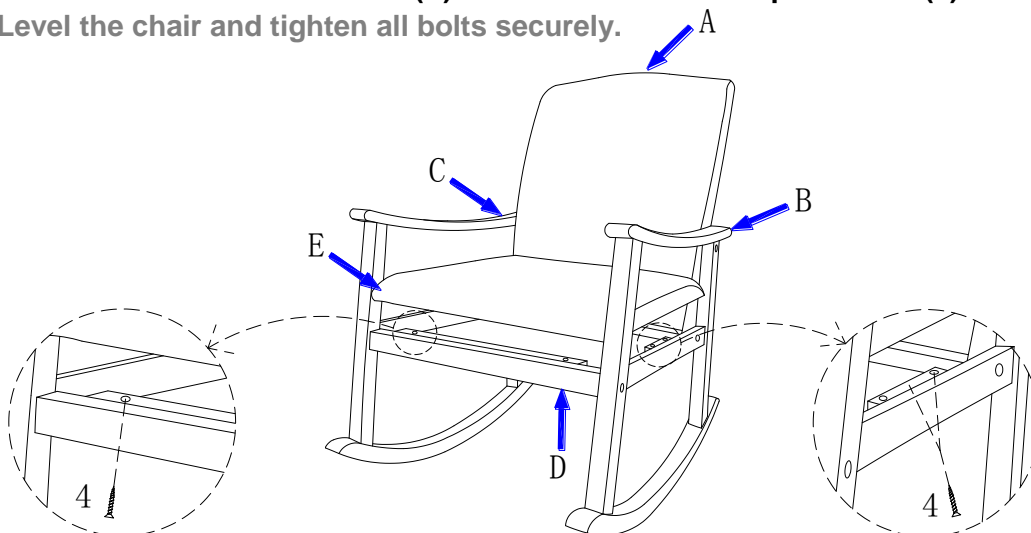
Note: Please DO NOT tighten the stretcher (Part D) until all other parts are assembled.



- 2** STEP 2: Secure the Chair Back (A) in place with 4pcs Spring Washer (3), 4pcs Bolt (1) by using Allen Wrench (5) clockwise. Cover exposed hole with 4pcs Wood Plug (6).



- 3** STEP 3: Fix the Seat Cushion (E) onto seat frame with 7pcs Screw (4). Level the chair and tighten all bolts securely.





**For assistance with assembly, please contact customer service
1-888-880-4884**