

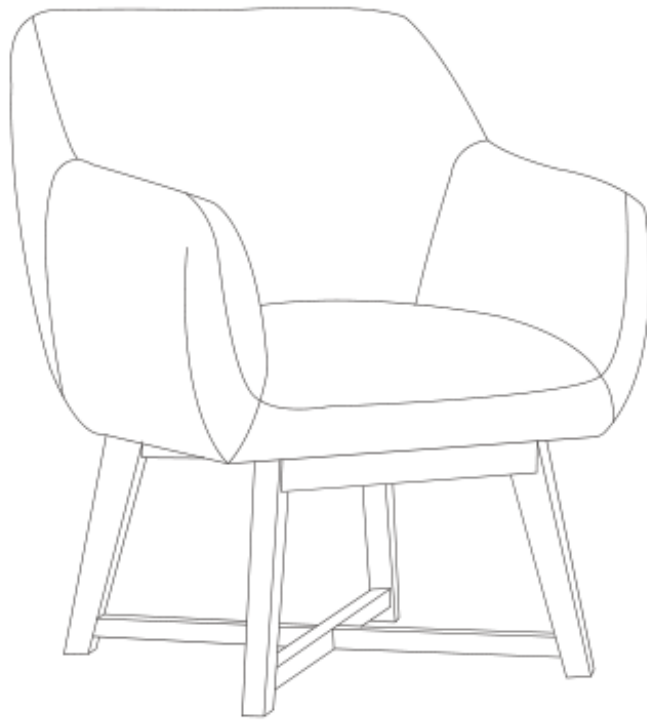


BELHAM

LIVING

ITEM NAME: BELHAM LIVING ELLIOTT X-BASE ARM CHAIR

SKU: ALZ1218-1



**For assistance with assembly, please contact customer service
1-888-880-4884**






PRE-ASSEMBLY PREPARATION:



DO NOT LET CHILDREN PLAY IN OR AROUND THE UNIT DUE TO THE POSSIBLE RISK OF FINGER ENTRAPMENT

- Please read these instructions before beginning assembly.
- Two adults are recommended for assembly.
- Clear out the space for assembly and lay out all parts based on Parts List. Extra room will allow you to easily determine if all pieces are present.
- Save all packing materials until assembly is complete to avoid accidentally discarding smaller parts or hardware.
- Keep small parts and pieces away from children until fully assembled.
- Please check for any loose screws and tighten them before you use the product.

HARDWARE LIST:

 Arm Chair (A) Qty: 1	 X-Base (B) Qty: 1	 Spacer (C) Qty :4
 Bolt(D) Qty: 4	 Allen Wrench (E) Qty: 1	

STEP-BY-STEP ASSEMBLY:

1

STEP 1: Insert the Spacer (C) into Bolt (D), and use the Allen Wrench (E) to tighten all screws.

