

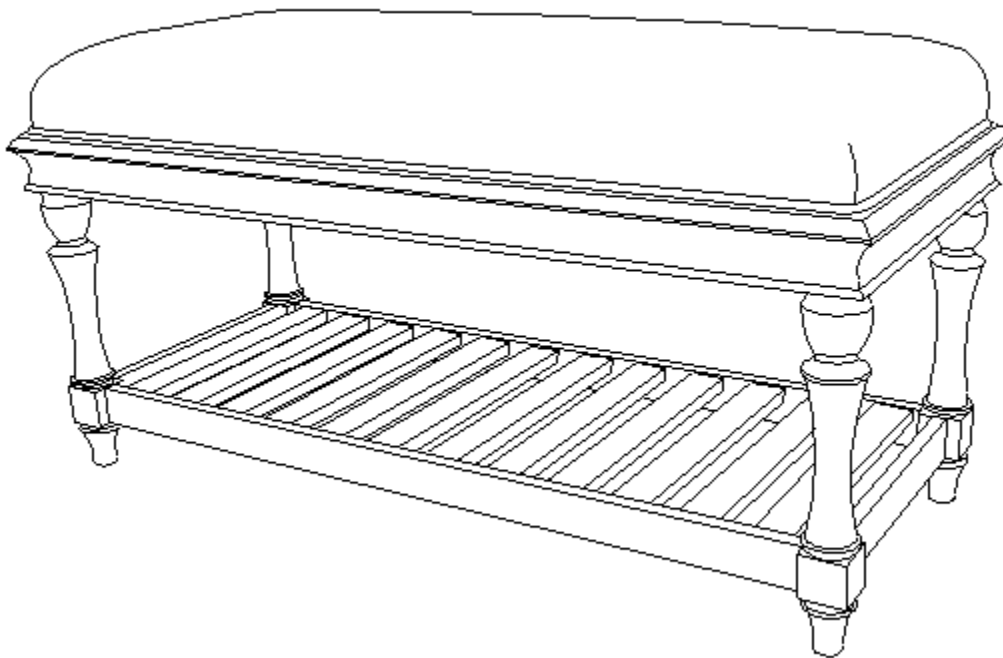


BELHAM

LIVING

ITEM NAME: BELHAM LIVING JILLIAN BACKLESS UPHOLSTERED BENCH

SKU: ALZ1142



**For assistance with assembly, please contact
Hayneedle Customer Care Center
1-888-880-4884**


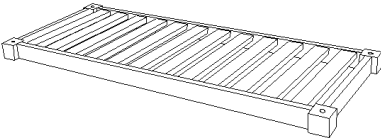
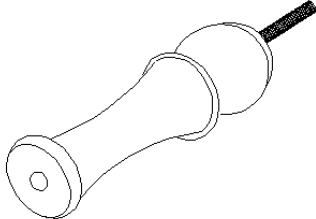
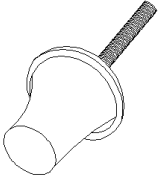
Pre-assembly preparation:



THIS PACKAGE MAY CONTAIN SMALL ITEMS WHICH SHOULD BE KEPT AWAY FROM CHILDREN

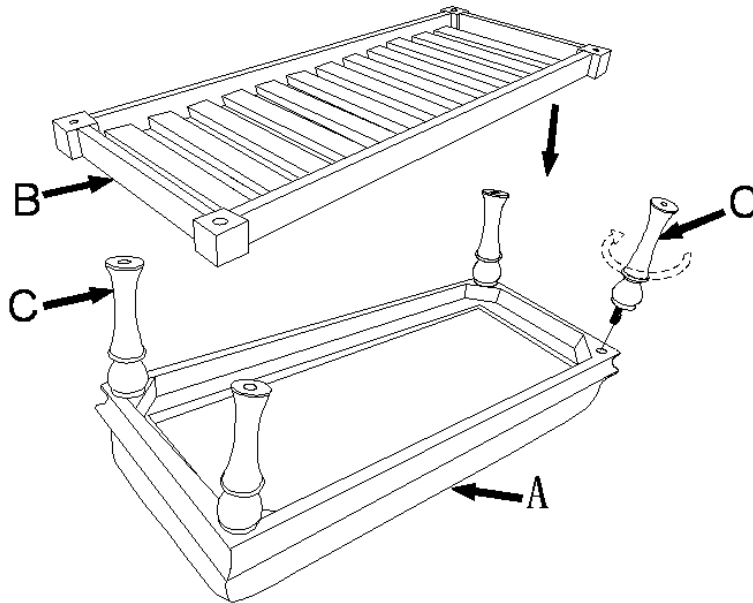
- Please check that all contents of this package before attempting to assemble the product.
- Read this Assembly instructions in full before you begin to assemble.
- For ease of assembly, two people are recommended.
- Please use CAUTION AND CARE WHEN LIFTING the product to avoid personal injury and (or) damage to the product.
- The hardware packet contains SMALL ITEMS which should be KEPT AWAY FROM CHILDREN.

PANEL AND FITTINGS IDENTIFICATION AND HARDWARE LIST : Scaled to Actual Size

 <p>Bench Seat (A) 42"L*18"W*6"H Qty:1</p>	 <p>Wood Slats (B) 40-1/2"L*16-1/2"W*2"H Qty:1</p>	 <p>Bench Foot(C) 11.2"*Φ2.6" Qty: 4</p>
 <p>Footstand (D) 4.7"*Φ2.1" Qty:4</p>		

STEP-BY-STEP ASSEMBLY:

- STEP 1.** Lay the Bench Seat (A) upside down on the flat ground, twist clockwise the Bench Foot (C) into Bench Seat (A), and then attach Bench Foot(C) to the holes of Wood Slats (B) correctly



- STEP 2.** Twist clockwise the Foot stand (D) into Bench Foot (C) thru Wood Slats (B), secure all Bench Foot (C) and Footstand (D) tightly and level up to bench.

