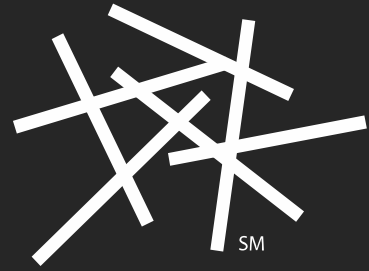
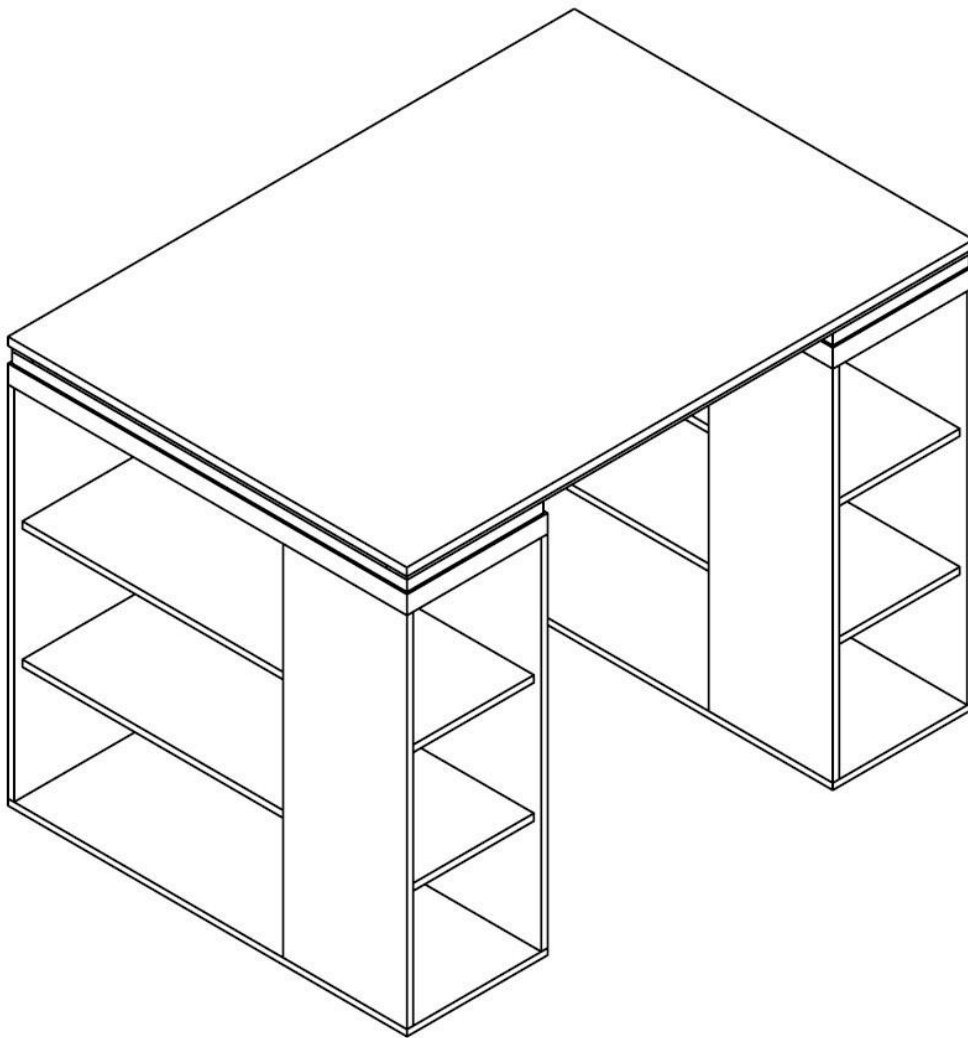


hayneedle



ITEM NAME: Sullivan Counter Height Table

SKU: ALZ979-1, ALZ980-1



**For assistance with assembly, please contact
Hayneedle Customer Care Center
1-888-880-4884**

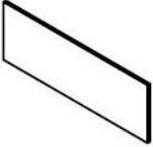
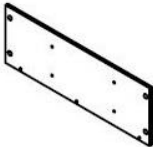



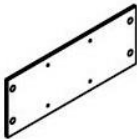

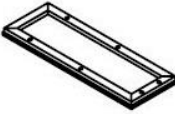
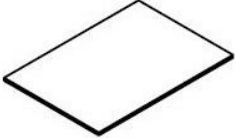
Pre-assembly preparation:



THIS PACKAGE MAY CONTAIN SMALL ITEMS WHICH SHOULD BE KEPT AWAY FROM CHILDREN

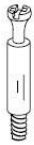



- Please check that all contents of this package before attempting to assemble the product.
- Read this Assembly instructions in full before you begin to assemble.
- For ease of assembly, two people are recommended.
- Please use CAUTION AND CARE WHEN LIFTING the product to avoid personal injury and (or) damage to the product.
- A Philip Screwdriver is required to complete the assembly that is not included with the product.
- The hardware packet contains SMALL ITEMS which should be KEPT AWAY FROM CHILDREN.

PANEL AND FITTINGS IDENTIFICATION:

				
Left Side Panel (1) Qty:2	Right Side Panel (2) Qty:2	Small Storage Panel(3) Qty:4	Back Panel (4) Qty:2	Shelf Panel (5) Qty:4
				
Backboard (6) Qty:2	Bottom (7) Qty:2	Support Panel (8) Qty:2	Table Top (9) Qty:1	

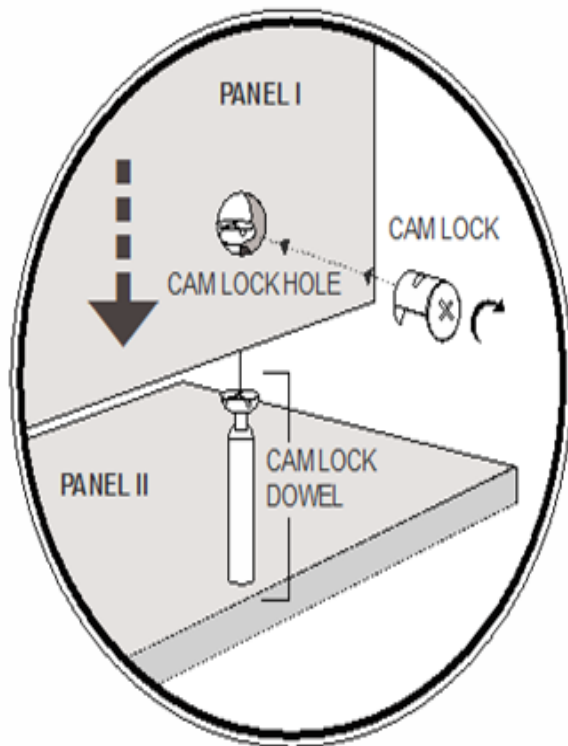
HARDWARE LIST:

Scaled to Actual Size

A 	B 	C 	D 
Camlock Dowel Ø6*35mm 34 PCS	Cam lock Ø15*12mm 34 PCS	BOLT Ø1/4"*45mm 12 PCS	Hex Wrench 4mm 1 PC

CAM LOCK INSTRUCTION

This product is assembled with a cam lock set



STEP 1: Insert Cam Lock into the cam lock hold of Panel I. Cam lock arrow should be pointing towards the cam lock dowel insertion hole.

STEP 2: Insert the cam lock dowel into Panel II.

STEP 3: Connect Panel I and Panel II by inserting the cam lock dowel through the hole to which the cam lock arrow is pointing.

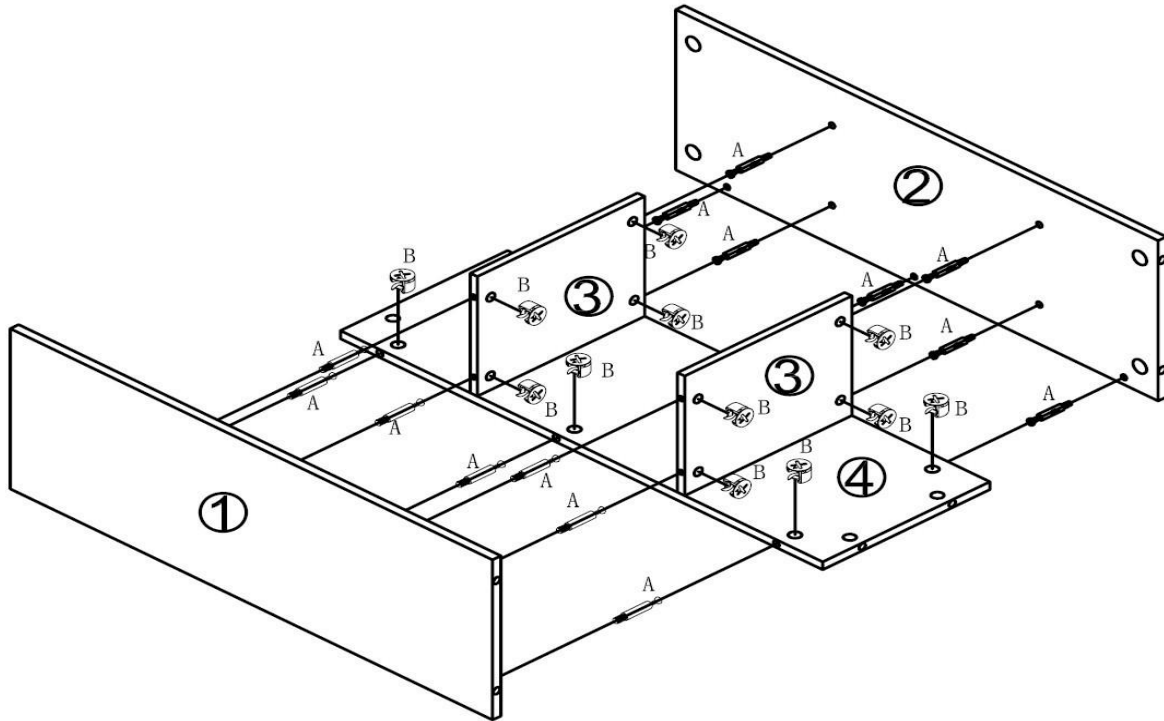
STEP 4: Press panel I and Panel II together.

STEP 5: Lock panels together by turning cam lock clockwise using a screwdriver. The cam lock and dowel should make a click sound, indicating they are locked together.

STEP-BY-STEP ASSEMBLY:

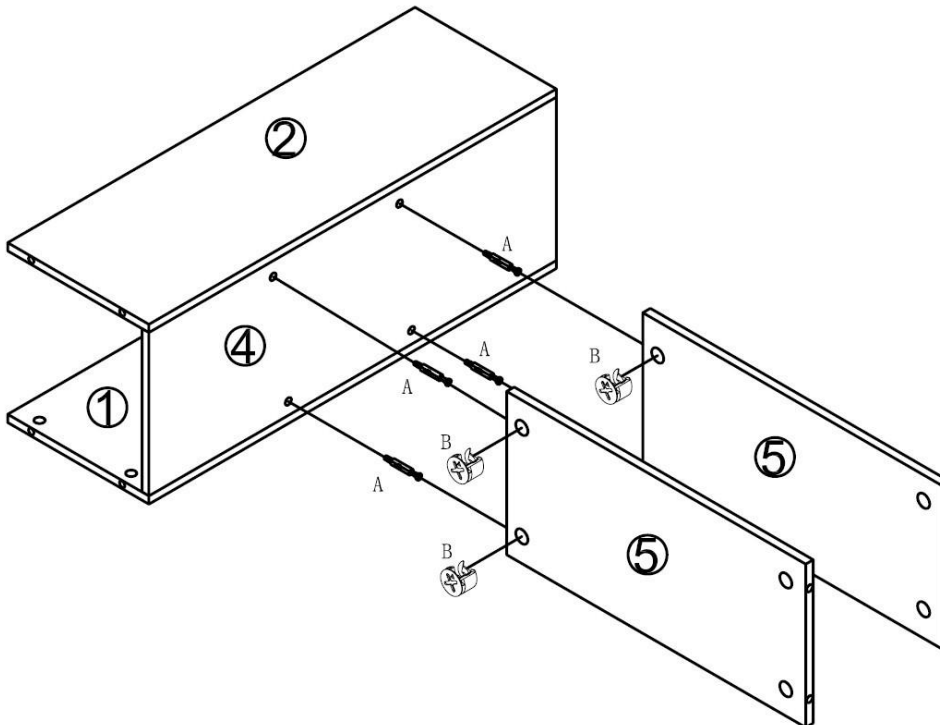
1

STEP 1: Attach 1pc Left Side Panels (1) and 1pc Right Side Panel(2) to 2pcs Small Storage Panel (3) and Back Panel (4) with 14pcs Camlock Dowel (A) and Cam Lock (B) by using a Screwdriver



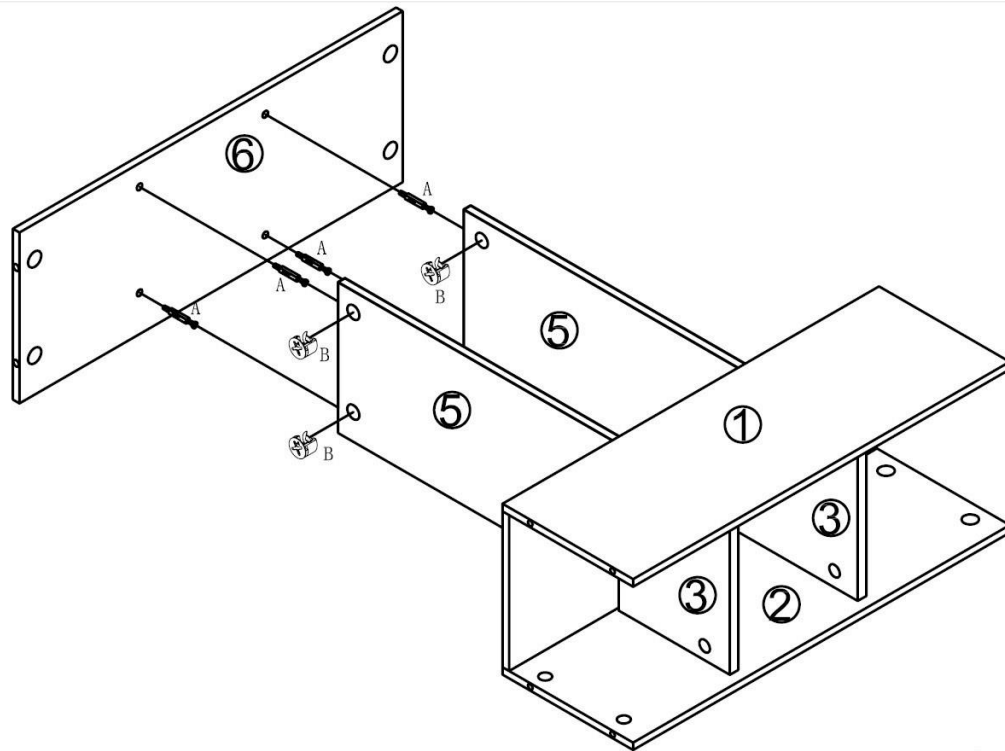
2

STEP 2: Connect 2pcs Shelf Panel (5) to Back Panel (4) with 4pcs Camlock Dowel (A) and 4pcs Cam Lock (B) by using a Screwdriver.



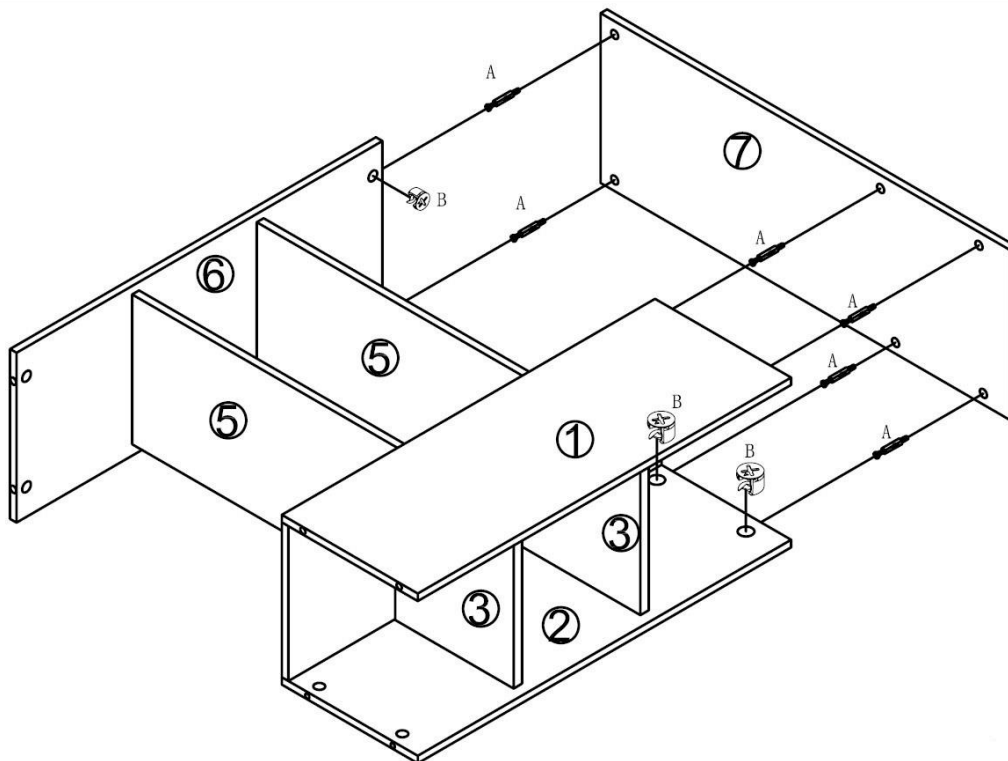
3

STEP 3: Connect Backboard (6) to Small Storage Panel (5) with 4pcs Camlock Dowel (A) and 4pcs Cam Lock (B) by using a Screwdriver.



4

STEP 4: Attach Bottom (7) to Parts (1) (2)(6) with 6pcs Camlock Dowel (A) and 6pcs Cam Lock (B) by using a Screwdriver. Tighten all cam locks and Level it up

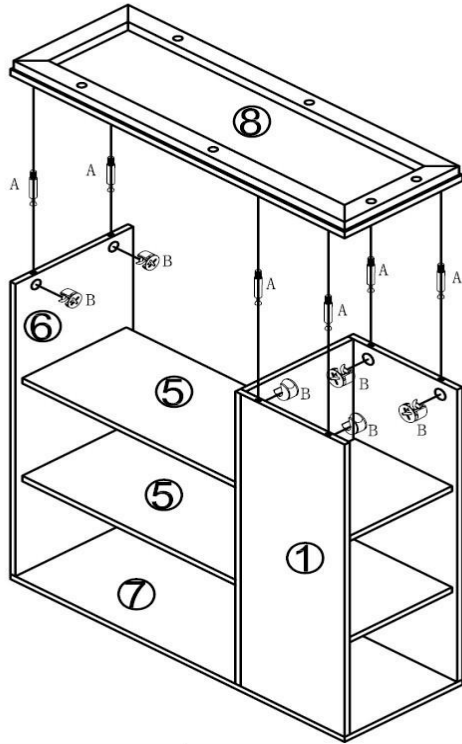


5

5

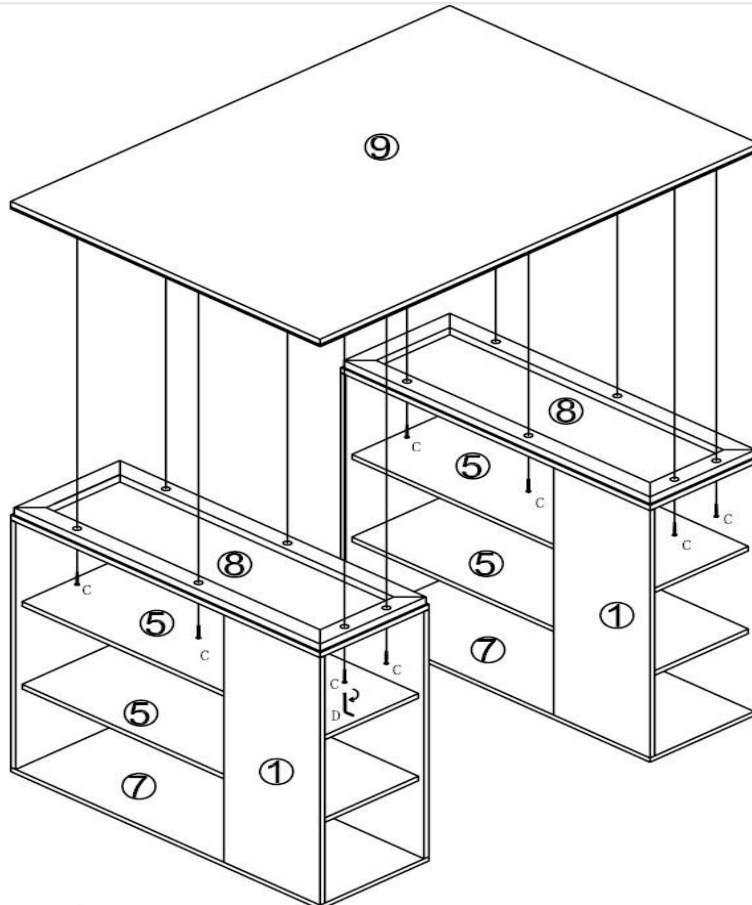
STEP 5: Add the 1pc Support Panel (8) with 6pcs Camlock Dowel (A) and 6pcs Cam Lock (B) by using a Screwdriver.

Following the STEP1,2,3,4 and 5, and assemble the other stand.



6

STEP 6: Connect the Table Top (9) with the 2pcs Support Panel (8) with 12pcs Bolt (C) by using Hex Wrench Clockwise.





**For assistance with assembly, please contact customer service
1-888-880-4884**