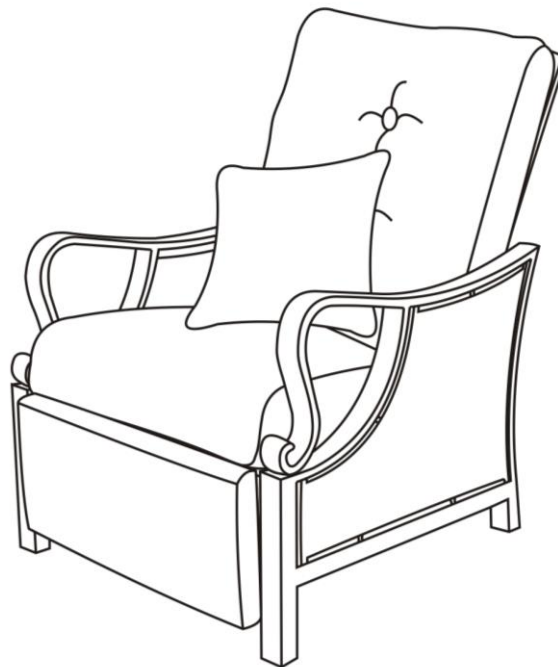




Ventura Recliner Owner's Manual



If you have any problems with this product, DO NOT RETURN TO THE
STORE. CALL OUR CUSTOMER SERVICE HOT-LINE AT

866-391-4908

8am-5pm (EST), Monday-Thursday

8am-4pm (EST), Friday.

WARRANTY

In order to activate your warranty please register at www.bjifurniture.com. There you can review our full warranty details and other helpful information. Or, you may call us at 1 866-391-4908, 8am - 5pm (EST), Monday – Thursday, 8am – 4pm(EST), Friday.

THIS IS A RESIDENTIAL WARRANTY AND DOES NOT APPLY FOR COMMERCIAL USE.

Care and Maintenance

Be careful to never allow water to build up in frames as this will cause corrosion and freeze damage in cold climates. Wash all frames with a solution of mild soap and water. Rinse with clean water and dry with a soft absorbent cloth towel. Frames can be treated with a liquid wax for maximum protection against UV rays and/or salty damp air. If your set includes cushions, slings, and/or an umbrella they may be cleaned by hand with a solution of soap and water with a clean water rinse. (Never machine wash cushions, slings or umbrella covers as this will result in shrinkage or damage).

After cleaning cushions tip on end and allow to drip dry. (Never use a commercial or home dryer to tumble dry fabric goods).

Do not use bleach or solvents to clean any product! This will void the warranty.

Lack of original receipt will void warranty!

CAUTION: Read all the instructions before assembly.

Failure to do so may result in faulty assembly and potential injury!

Assemble the item on a soft, non-abrasive surface such as a carpet or cardboard to avoid damaging the item. Seek assistance to assemble bulky or heavy items.

After final alignment, make sure all bolts, nuts and nut covers are securely tightened.

Important Safety Instructions:

Important: Read these instructions thoroughly before using

WARNING

- Do not operate the unit until the back is installed and locked.
- Closely supervise children and disabled persons using this product.
- Sit down in the unit slowly. To avoid tip over, do not throw your weight against the back of the unit. Move the unit into or out of the reclining position slowly, making sure that no children or pets are in close proximity.
- This product has many moving parts, serious injury can occur if not used properly. Keep hands, fingers and body parts away from the mechanism. To reduce the risk of head entrapment and other injuries, keep children and pets away from openings and moving parts in and around furniture.
- Only the occupant should operate the unit. Never attempt to open the leg rest by pulling on it.
- Do not stand, sit or place extra weight on the arms, back or open leg rest.
- To safely exit the unit and prevent a tripping hazard bring the back upright and close the leg rest.
- Do not use this product if it is damaged. Do not use attachments or substitute parts.
- Provide a clear path for operation of the back and leg rest. Place tables and area rugs at a distance to allow the leg rest to fully extend without rubbing or interference.

- Use care when moving the product. Before lifting the product, secure the mechanism to prevent unexpected opening or movement. Never move the product by the mechanism, leg rest or reclining back. Disconnect modular units. Securely grip non-moving parts only .
- Keep hands away from the internal frame parts. (See Figure 1 and Figure 2) .

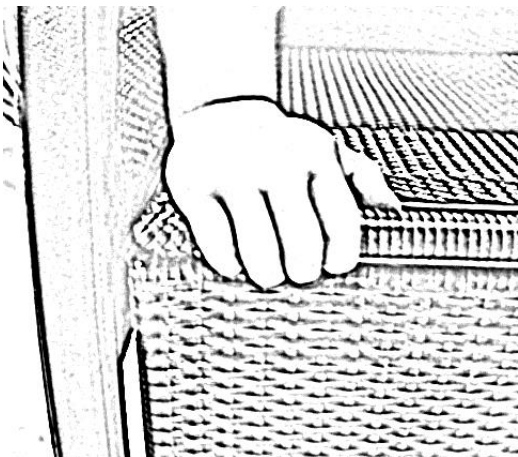


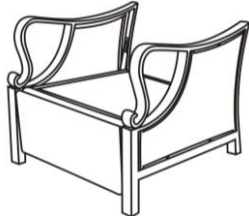

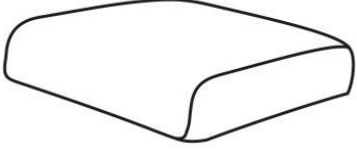
Figure 1





Figure 2

- This product is not intended for use as a health care device.
- Always keep open flame and lit cigarettes away from outdoor furniture.

PARTS LIST

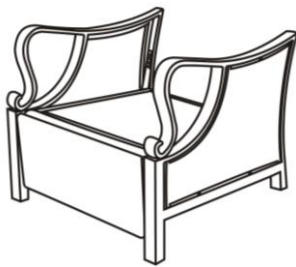
PART#	DESCRIPTION	PICTURE	Q'TY
A	Base Frame		1
B	Back Frame		1
C	Seat Cushion		1

D	Back Cushion		1
E	Toss pillow		1

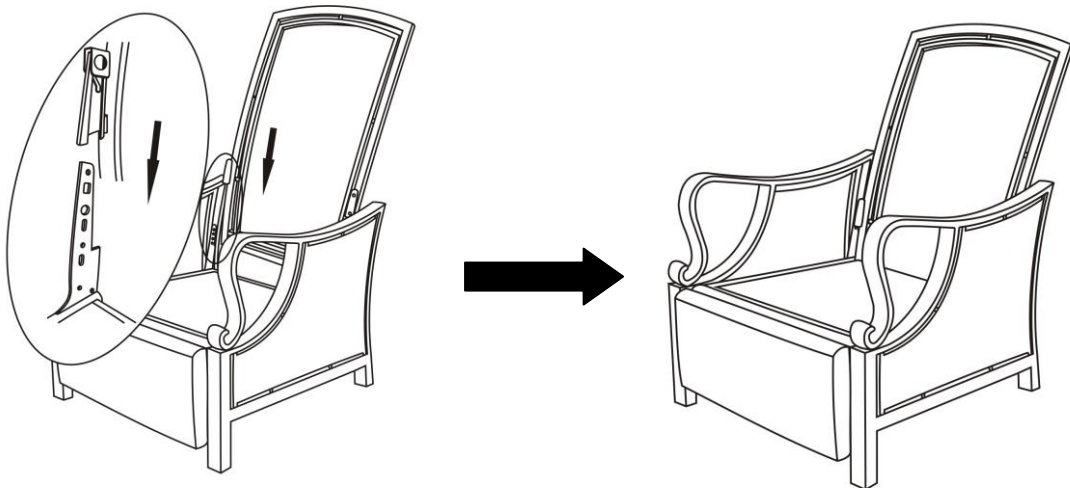
Assembly Steps:

Step1:

Part# A x 1



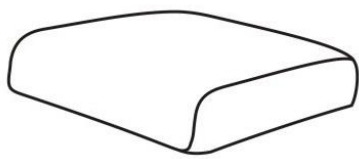
Part# B x 1



NOTE: Lower the back (B) onto the body (A), making sure the back (B) and body (A) are completely engaged. To make sure the back (B) is properly installed with both sets of back and body brackets engaged, stand behind the chair and pull the back (B). If one or both sides move out of position the brackets are not engaged. Remove the back (B) and repeat the steps.

Step 2:

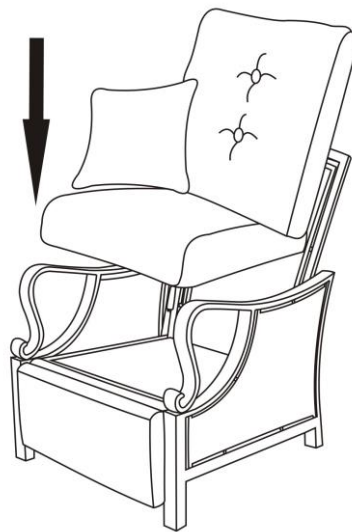
Part# C x 1



Part# D x 1



Part# E x 1



Recliner Chair Operating Instructions

WARNING

— To prevent product damage:

Damage will occur to the mechanism, if the leg rest is forced closed from the 2nd position. The leg rest must be returned to the 1st position and then closed.

To Operate the Leg rest:

1. The recliner chair is equipped with a two-position locking leg rest for customized seating comfort. Simply put physical strength on the back and armrest to extend the recliner mechanism. You may stop in any one of two positions. The closed position is for relaxing reading (Figure 3). The 1st position is slightly inclined (Figure 4). The 2nd position is slightly more inclined (Figure 5).
2. Bring the back upright by closing the leg rest before getting out of the unit.

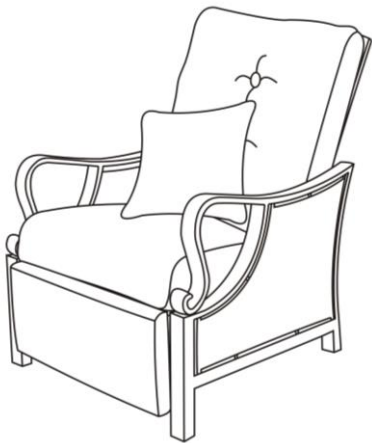


Figure 3 (the closed position)

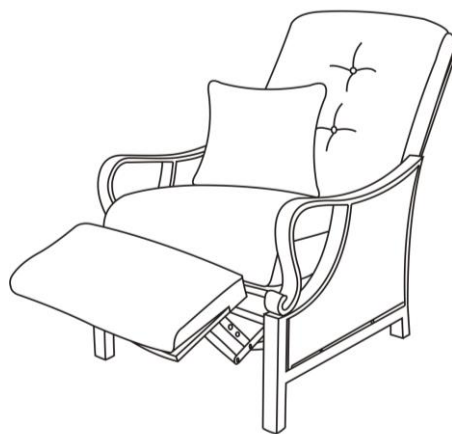


Figure 4 (the 1st position)

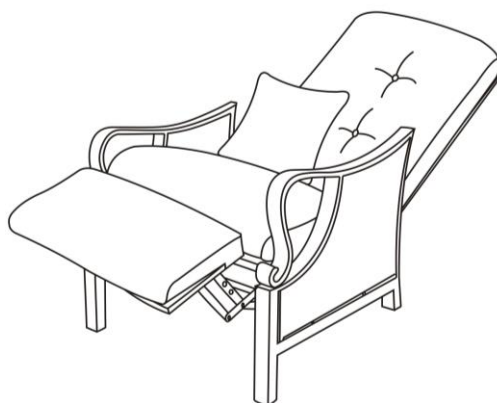


Figure 5 (the 2nd position)