

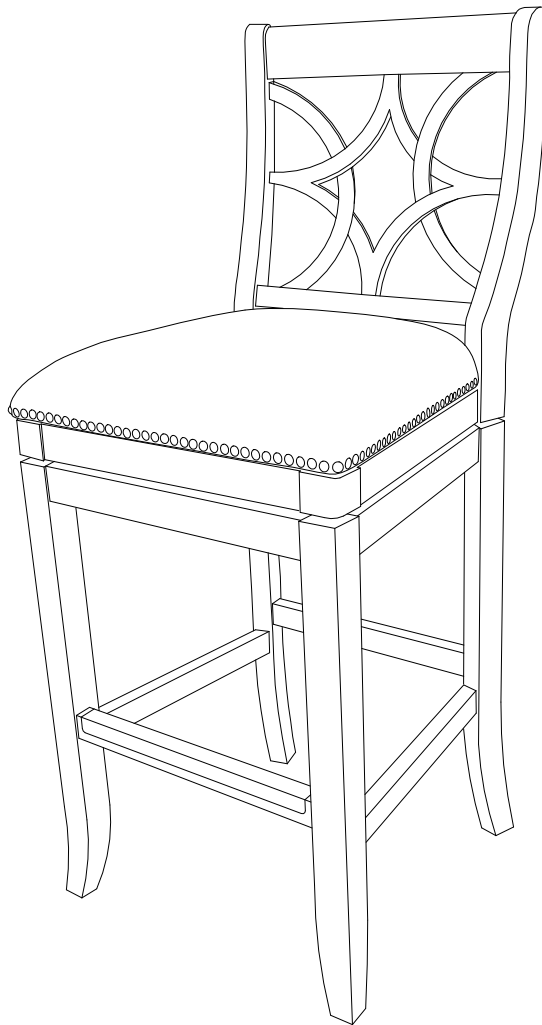


BELHAM

LIVING

ITEM NAME: Emmett Square Stool

SKU: AHB729,AHB730,AHB731



**For assistance with assembly, please contact customer service
1-888-880-4884**

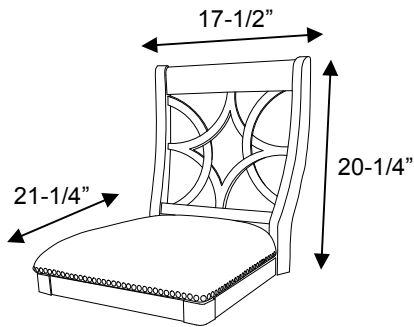
PRE-ASSEMBLY PREPARATION:



DO NOT LET CHILDREN PLAY IN OR AROUND THE UNIT DUE TO THE POSSIBLE RISK OF FINGER ENTRAPMENT

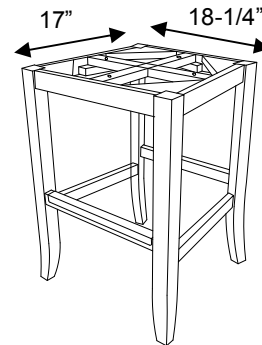
- Please read through this instruction before beginning assembly.
- Two-adult assembly is recommended
- Clear out the space for assembly and lay out all parts based on Parts List, extra room will allow you to easily determine if all the pieces are present.
- Save all packing materials until assembly is complete to avoid accidentally discarding smaller parts or hardware.
- Keep small parts and pieces away from children until fully assembled.
- Please check for any loose screws and tighten them before you use.

PANEL AND FITTINGS IDENTIFICATION:



Bar stool seat (1)

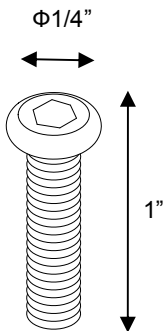
Qty:1



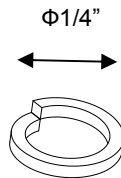
Bar stool base (2)

Qty:1

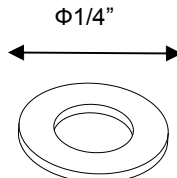
HARDWARE LIST:



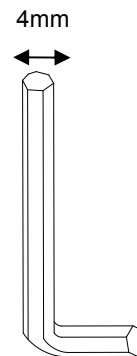
Bolt (A) Qty:8



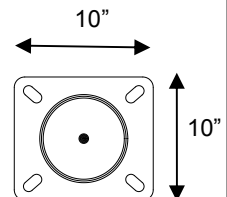
Lock Washer (B) Qty:8



Flat Washer (C) Qty:8



Allen Wrench (D) Qty:1



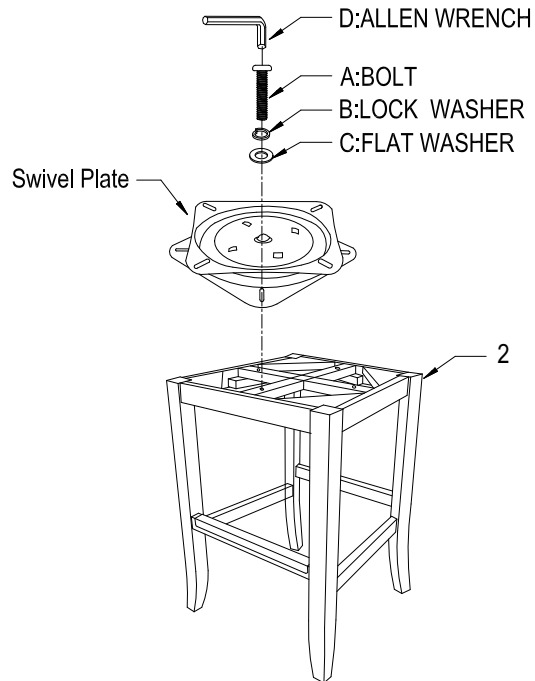
Swivel Plate Qty:1

STEP-BY-STEP ASSEMBLY:

1

STEP 1: Secure the Swivel Plate to the bar stool base (2) with the flat washer(C), lock washer (B), bolts (A) by using Allen Wrench (D) clockwise.

Tighten all bolts evenly and then turn each bolt 1/4 turn for final fasten.



2

STEP 2: Secure the bar stool base (2) to the bar stool seat (1) with the flat washer(C), lock washer (B), bolts (A) by using Allen Wrench (D) clockwise.

Tighten all bolts evenly and then turn each bolt 1/4 turn for final fasten.

