



HOME FURNITURE COLLECTIONS

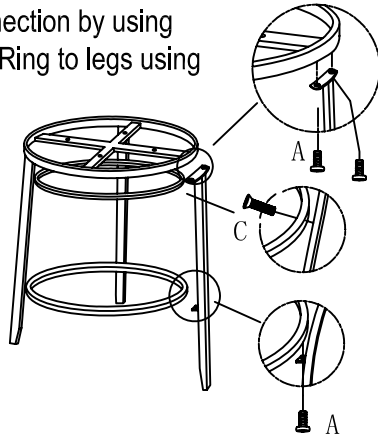
ASSEMBLY INSTRUCTIONS

EASTON STOOL

LOOSELY ATTACH EACH SCREW UNTIL FRAME IS ASSEMBLED THEN TIGHTEN WHEN COMPLETE

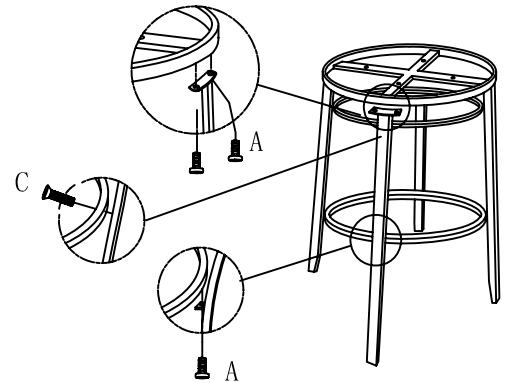
1 STEP:1

Attach three legs to Cross Connection by using Bolt (A) , then attach the Upper Ring to legs using Bolt (C) and bottom ring to legs using Bolt (A) as shown .



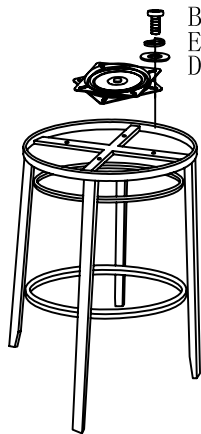
2 STEP:2

Repeat step 1 for the 4th leg as shown.



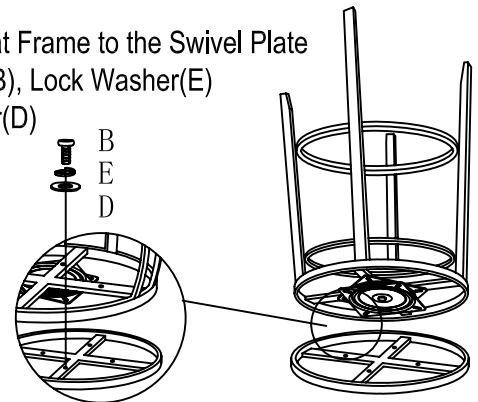
3 STEP:3

Attach Swivel Plate(J) to the chair base by using Bolts(B), Lock Washer(E) and Flat washer (D) as shown.



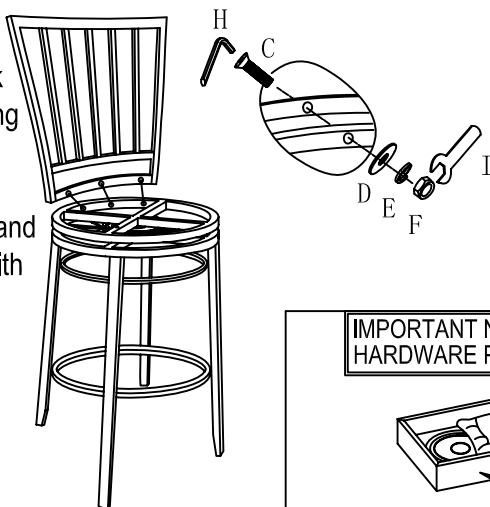
4 STEP:4

Attach chair Seat Frame to the Swivel Plate by using Bolts(B), Lock Washer(E) and Flat Washer(D) as shown.



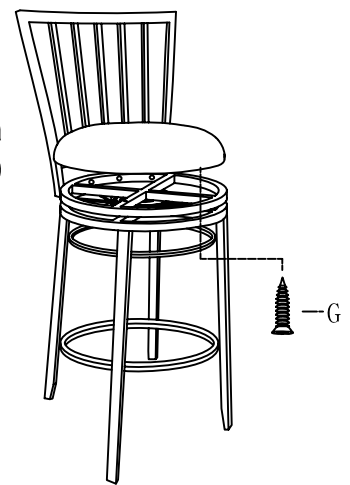
5 STEP:5

Fasten the Chair back to Seat Frame by using Allen Wrench (H) , Bolt (C) , Flat Washer (D), Lock Washer(E) and Nut (F), tighten Nut with Open Wrench (I) as shown.



6 STEP:6

Attach Cushion to Seat Frame by using Screw (G) and tighten by a screwdriver (Not included) as shown



IMPORTANT NOTE:
HARDWARE PACK LOCATON



Hardware Box

HARDWARE PACK

MADE IN CHINA

CHECK THAT THE FOLLOWING PARTS ARE IN CARTON

A	B	C	D	E	F	G	H	I	J
Allen Bolt 1/4"*12mm 12PCS	Allen Bolt 1/4"*15mm 8PCS	Allen Bolt 1/4"*30mm 7PCS	Flat washer Ø 16mm 11PCS	Lock Washer 1/4" 11PCS	Nut 1/4" 3PCS	Screw Ø5 x 30mm 4PCS	Allen Wrench	Open Wrench	Swivel Plate 160×160×24mm 1PC