




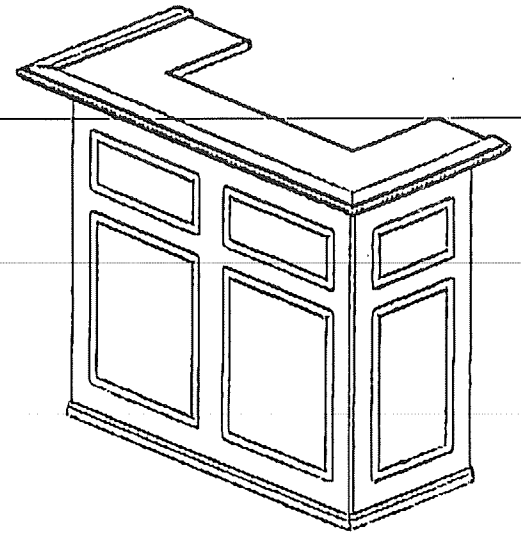
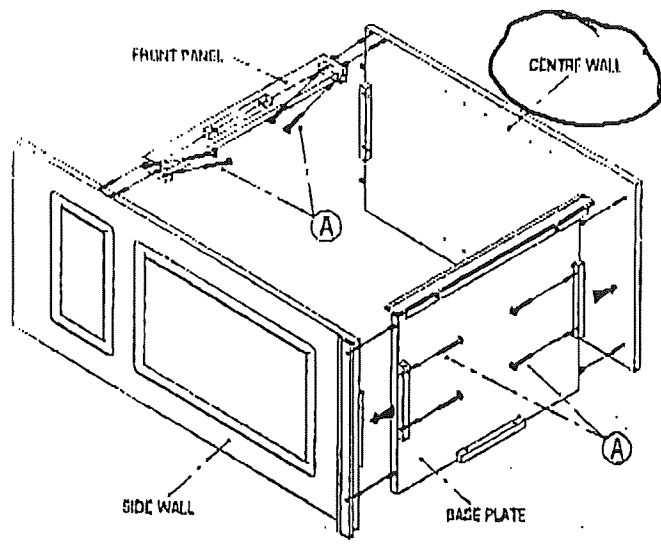


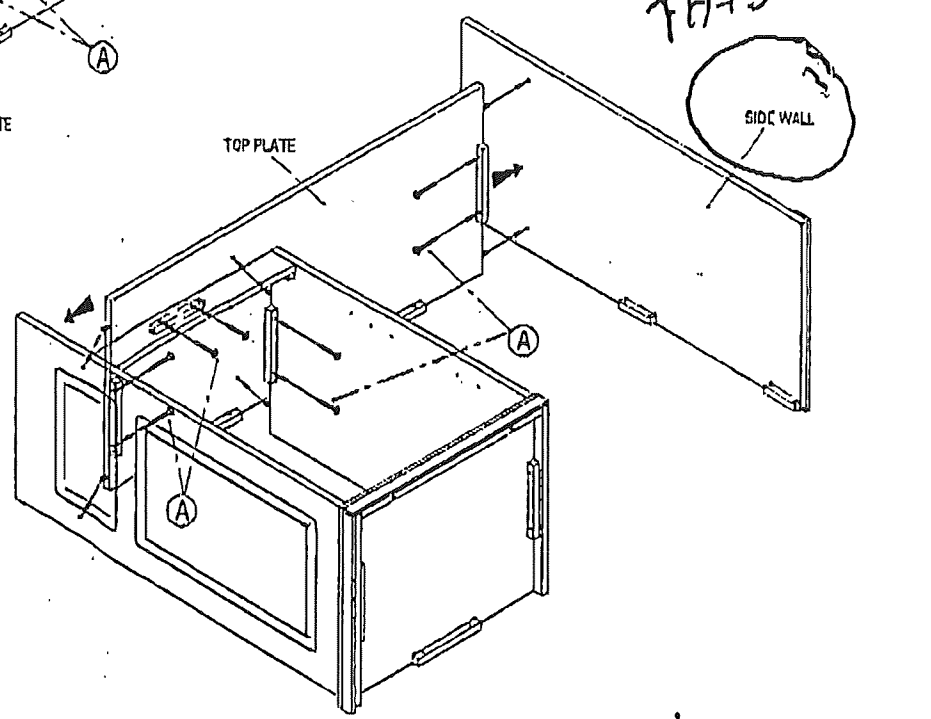
HARDWARE LIST		QTY	OUTLOOK
A	SCREW (1-1/4")	34	 SCALE 1:1
B	SHELF PIN	8	
C	SHELF SCREW	8	 SCALE 1:1
D	CUP HOLDER	4	
E	BAR TOP SCREW (1-1/4")	8	 SCALE 1:1



STEP 1 :



STEP 2 :

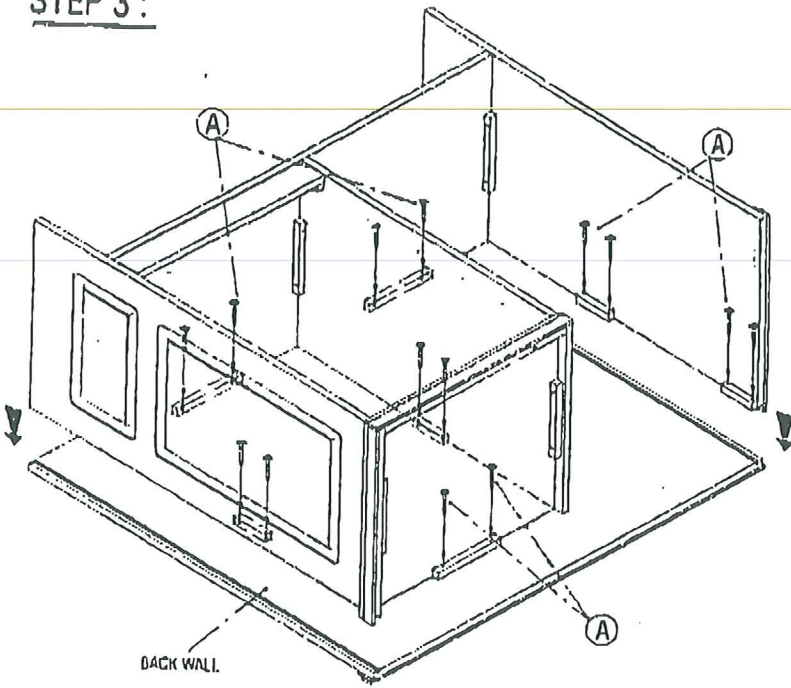


* IMPORTANT
PLS STRONGLY TIGHTEN USING SCREWDRIVER

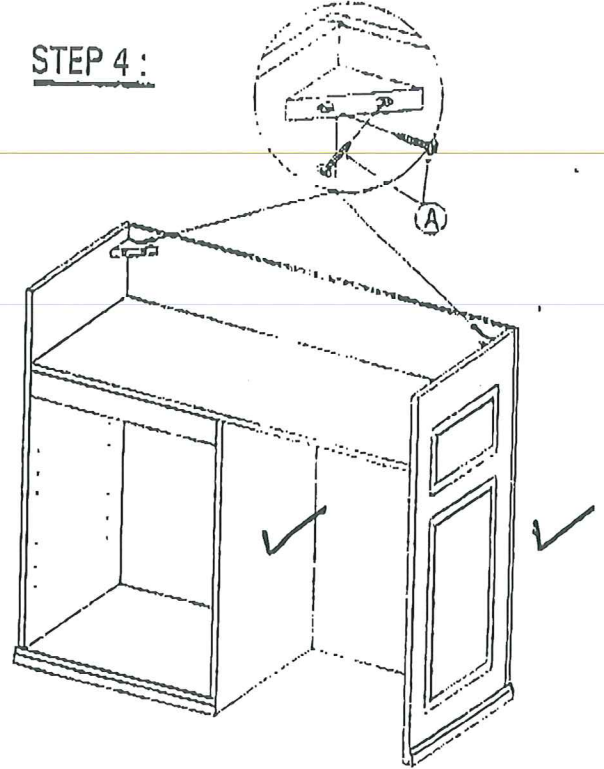
ASSEMBLY INSTRUCTION

TRENTON BAR COUNTER

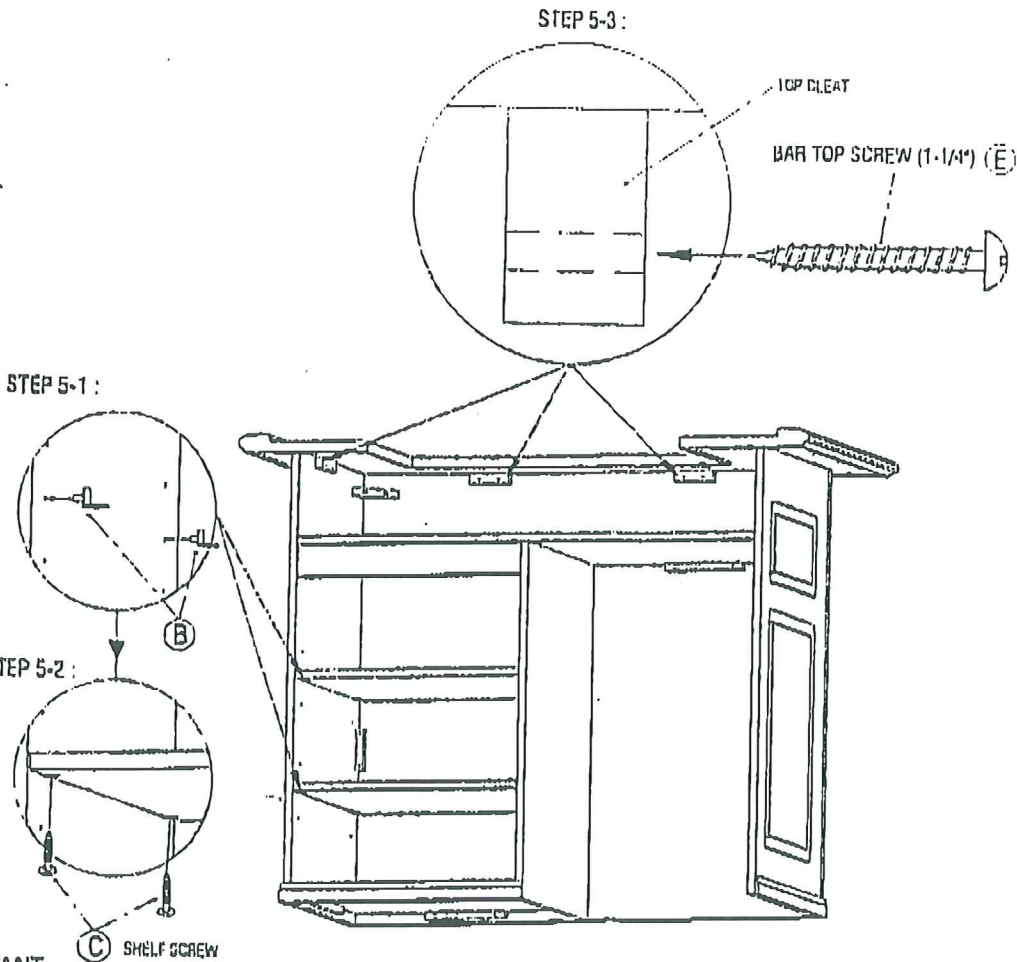
STEP 3:



STEP 4:



STEP 5:



* IMPORTANT