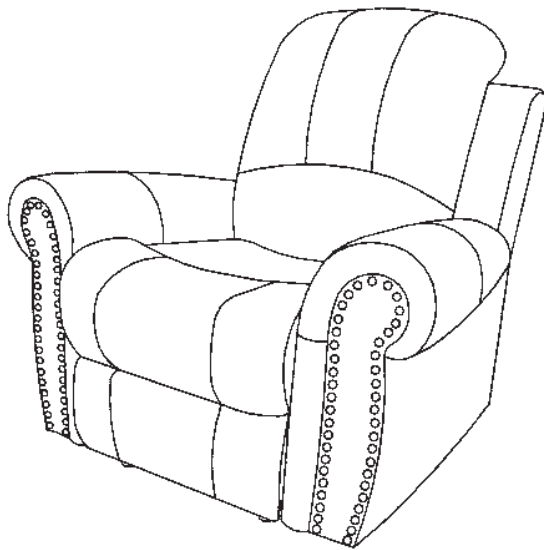
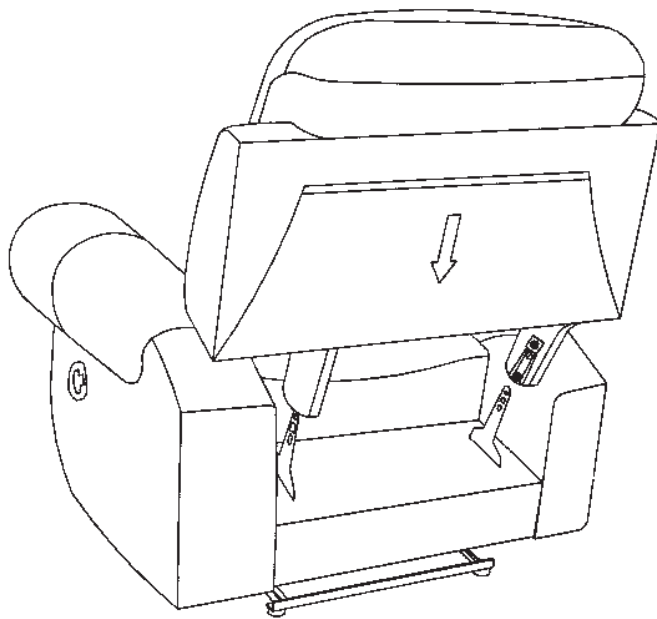


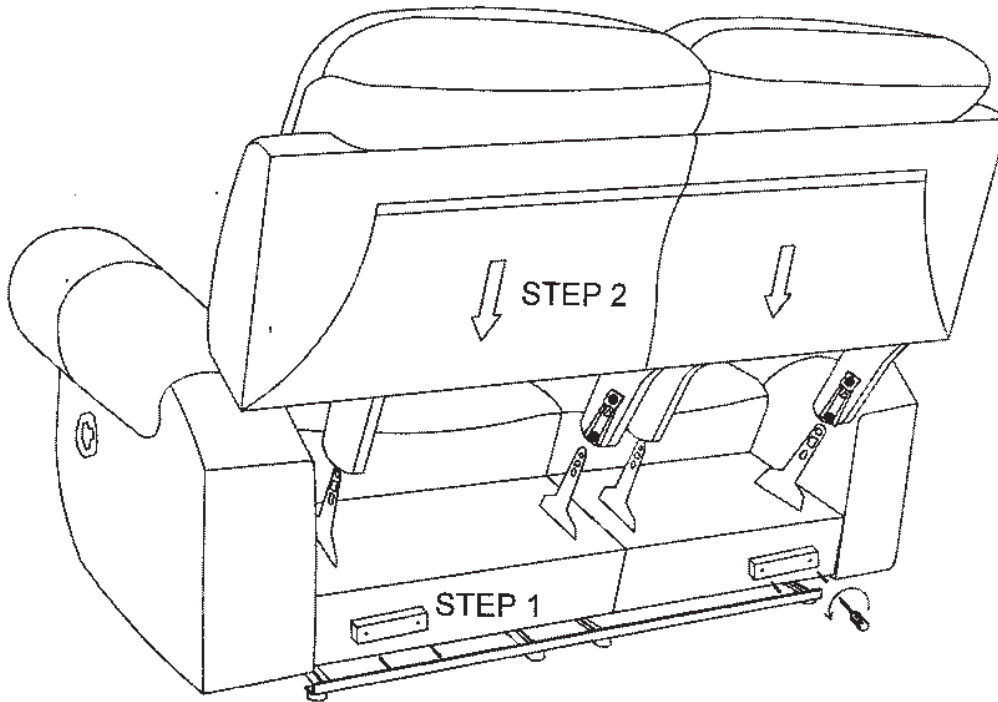
Assembly Instruction

Model: CH-8811-BRG-1

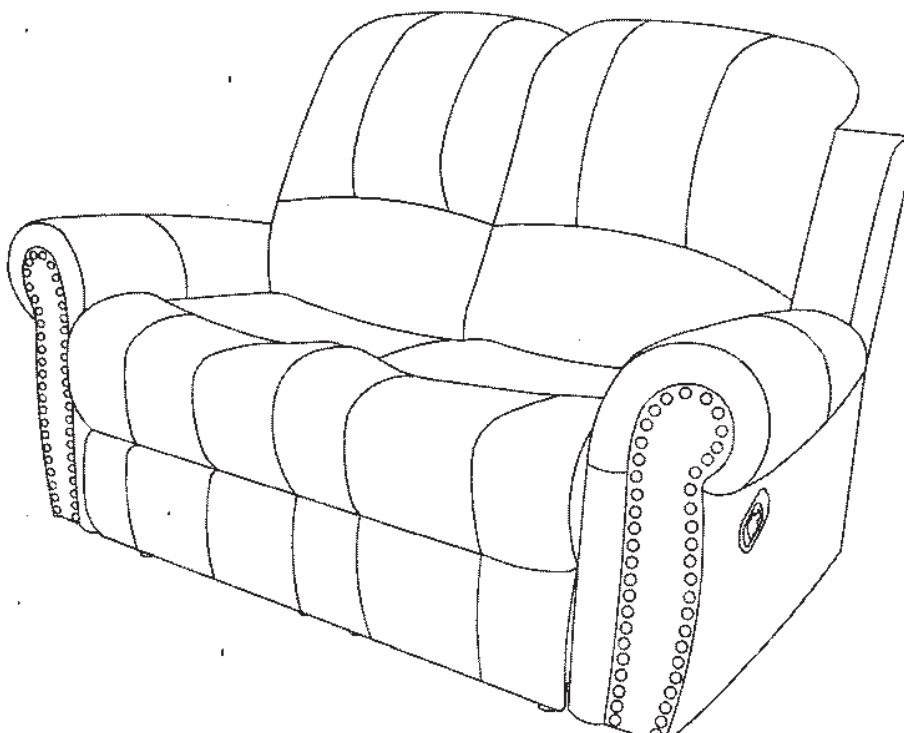


Assembly Instruction

Model: CH-8811-BRG-2

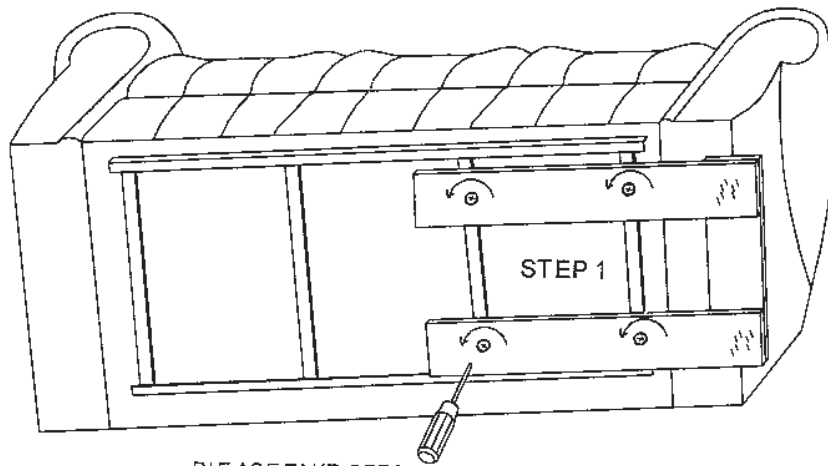


PLEASE TAKE OFF THE BLOCKS AT FIRST



Assembly Instruction

Model: CH-8811-BRG-3



PLEASE TAKE OFF THE SCREW AND PLYWOOD

